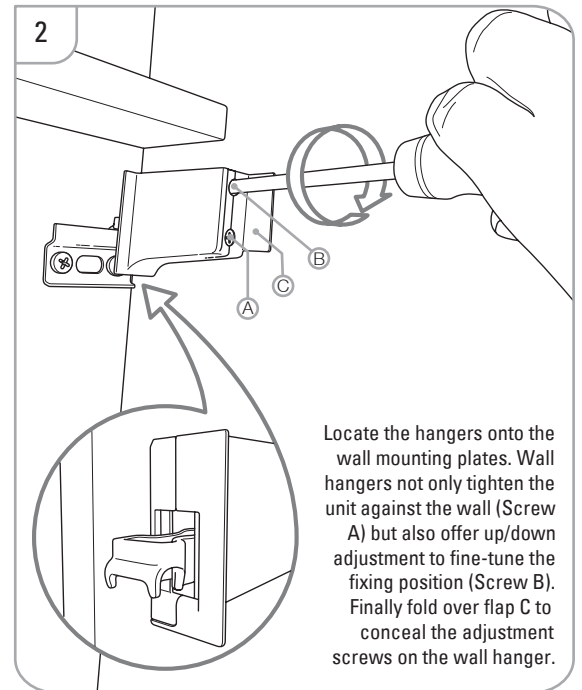
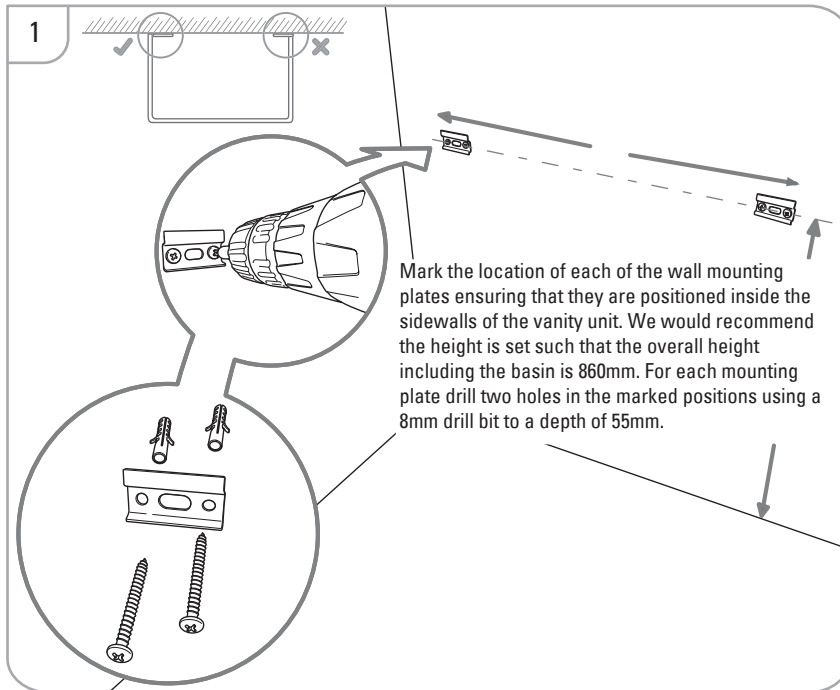


Before You Start

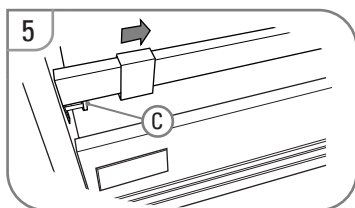
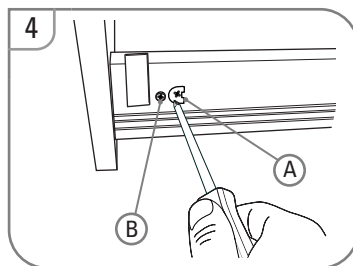
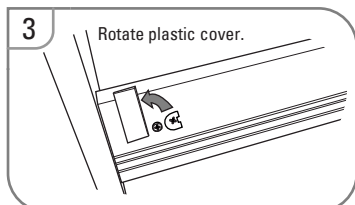
It is recommended that the unit and basin are secured to a suitably reinforced wall to ensure stability. The wall plugs supplied are only suitable for solid stone/brick walls. For plasterboard walls use specialist wall plugs along with supplementary wall strengthening as units can be very heavy. Seek advice from a specialist about the suitability of fixings to be used.

Wear suitable eye protection when drilling. Take care when using power tools near water - the use of a residual current device (RCD) is recommended. Beware of hidden pipes or cables. Take care when drilling tiled surfaces as the drill might slip. Use a piece of masking tape to prevent the drill from wandering.

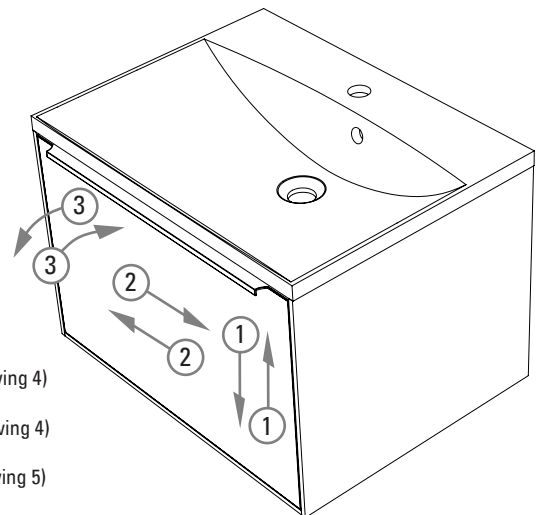


Fascia Adjustment

Fascias may require adjustment for correct alignment. If adjustment is required follow instructions below.

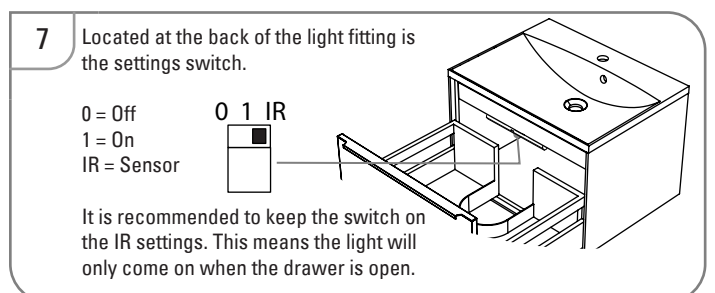
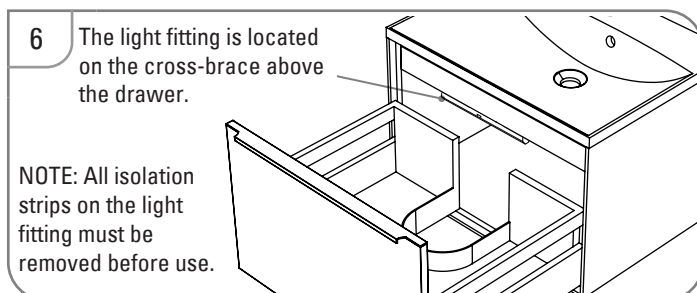


- To make adjustment 1 (Up and Down) turn screw A (see drawing 4)
- To make adjustment 2 (Left and Right) turn screw B (see drawing 4)
- To make adjustment 3 (Tilt in and out) turn screw C (see drawing 5)



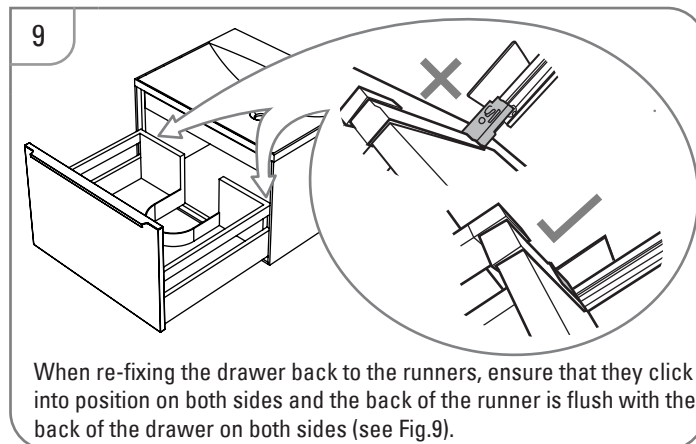
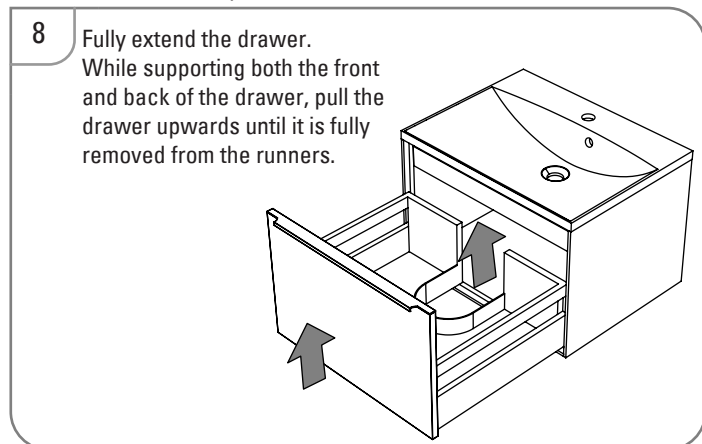
Light Settings

This unit is fitted with lights within the drawer. To change the settings of the lights, please follow the instructions below:



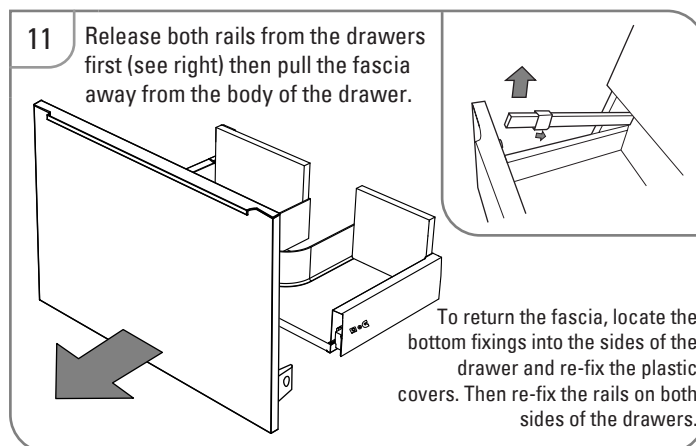
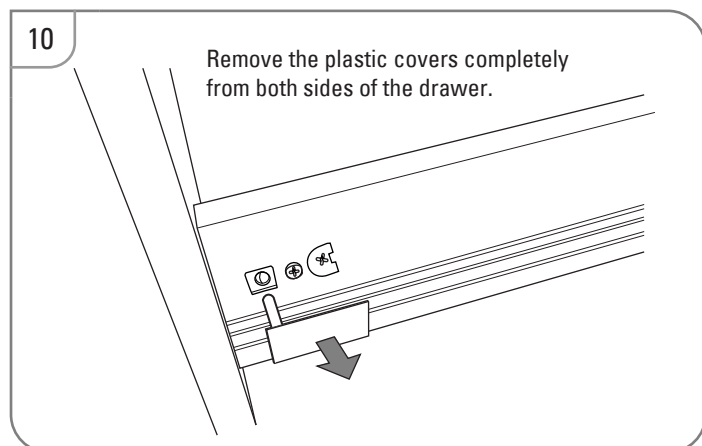
Removing the Drawer

To remove the drawer, please follow the instructions below:



Removing the Fascia

If it is faulty or damaged, the fascia can be removed and replaced. To remove the fascia please follow the instructions below:



Fitting the Basin

Once the basin has been plumbed in, finish by securing to the washstand using a silicone sealant (not supplied).

Furniture Aftercare Instructions

As with all wooden furniture, this product should be treated with care.

We recommend...

Wipe away any water splashes or condensation after use. Excessive exposure to water will deteriorate the furniture.

All bathrooms should be well ventilated with a suitable extractor fan.

Clean with a soft damp cloth only.

Use a wax free polish if one must be used.

For removal of lime scale deposits use a suitable proprietary cleaner. If necessary test on an inconspicuous area first.

Please DO NOT...

Do not scrub or scour

Do not use abrasive cleaning agents

Replacement Components

Should you require any replacement components for this product please contact Roper Rhodes using the contact details below.