

Important Installation Notes

- *This product must not be modified in any way and must be installed according to the instructions.
- *Take care when using power tools in a bathroom. The use of an RCD (Residual Current Device) is recommended.
- *Always wear eye protection when drilling and beware of hidden cables and pipe runs.

Product Location

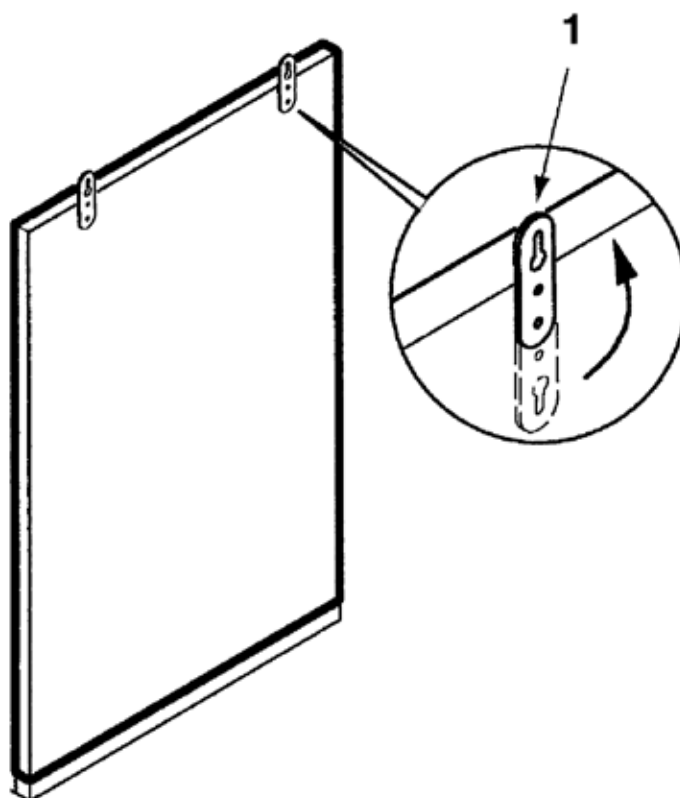
This product is designed for use within a bathroom. It must not be sited in a shower cubicle or sauna. The product must only be fitted to a Tavistock vanity unit assembly.

Product Installation

This mirror should only be installed as part of a vanity unit assembly. Take due note of the product location requirements as specified above.

1. Fix the mirror to the wall using the wall fixing hooks and brackets provided. (Note: Wall plugs are only suitable for solid walls - for plasterboard walls use appropriate wall plugs). Unscrew metal brackets, rotate 180° (See diagram below) then fix to wall in desired position.

NOTE: Ensure the wall hooks are positioned so that the mirror rests on the base unit splash back. The joint should be sealed with silicone sealant.



Furniture Aftercare Instructions

We recommend...

- Wipe away any water splashes or condensation after use. Excessive exposure to water will deteriorate the furniture.
- All bathrooms should be well ventilated with a suitable extractor fan.
- Clean with a soft damp cloth only.
- Use a wax free polish if one must be used.
- For removal of lime scale deposits use a suitable proprietary cleaner. If necessary test on an inconspicuous area first.

Please DO NOT...

- Do not scrub or scour
- Do not use abrasive cleaning agents

Replacement components - Should you require any replacement components for this product please contact Roper Rhodes using the contact details below.