

### Important Installation Notes

- \*Switch off the mains power supply before installation, maintenance or replacing bulbs.
- \*This product must not be modified in any way and must be installed according to the instructions.
- \*Take care when using power tools in a bathroom. The use of an RCD (Residual Current Device) is recommended.
- \*Always wear eye protection when drilling and beware of hidden cables and pipe runs.
- \*When installing, follow national wiring regulations. If in doubt, consult a qualified electrician.

### Electrical information

Input voltage 220 - 240V 50Hz

Lamp voltage 20W 12V

Shaver socket output 230V 20VA

Total power 70W (with 2 lights) or 90W (with 3 lights)

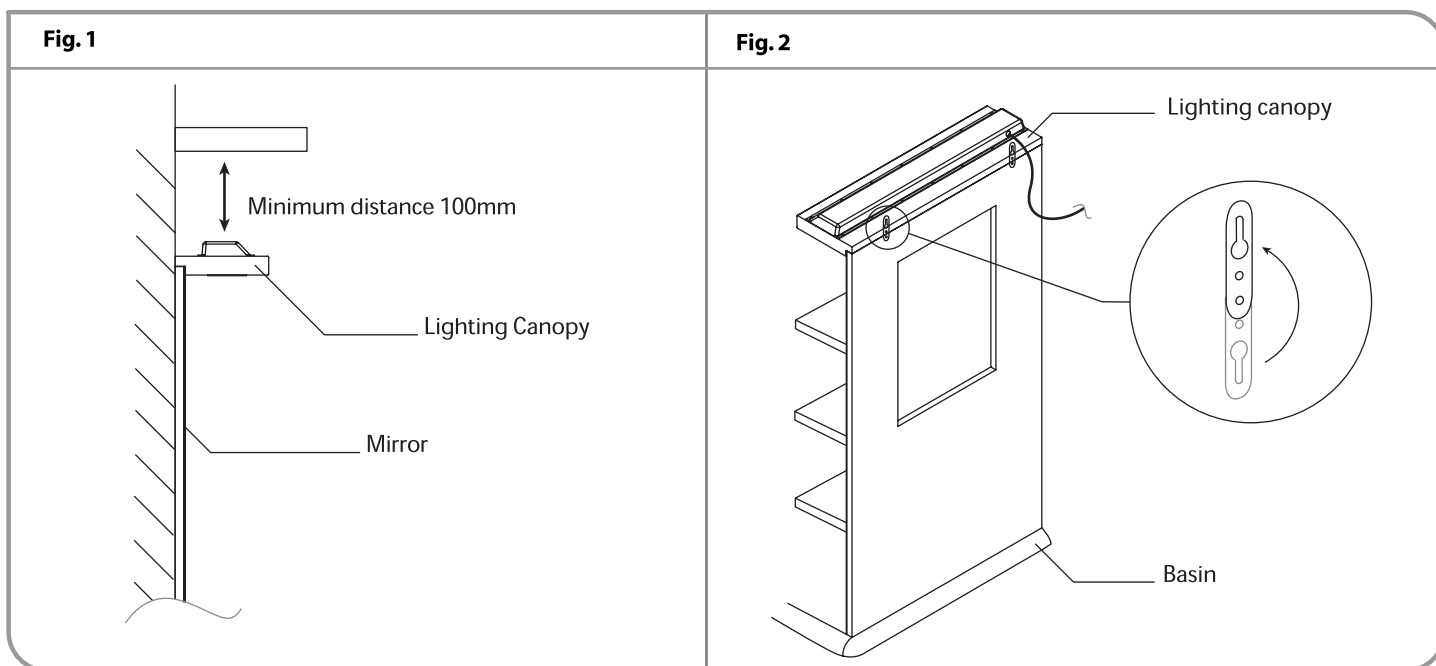
 Class II double insulated product. This product must not be earthed.

### Product Location

This product is designed for use within a bathroom. It must not be sited in a shower cubicle or sauna.

The unit must be positioned so that it cannot be operated by someone who is using a bath or shower or where it can come into direct contact with shower spray.

**Warning** - Observe the minimum height clearance of 100mm (see Fig. 1) above the top of the plastic housing of the canopy



### Product Installation

Take due note of the product location requirements as specified above. See Fig. 2 for Reference

1. Unscrew and rotate the metal hanging brackets and re-fix in the desired position.
2. The mirror must rest on the base unit splash back. The joint should be sealed with silicone sealant.
3. Fix the mirror / canopy assembly to the wall using suitable screws (not supplied). Models with an integrated cupboard should be fixed through the cupboard with the supplied screw which can be covered with the supplied screw cover cap.
4. The power supply cable connection should be made according to national wiring regulations.

### Glass Shelves (for mirror / canopies supplied with integrated cupboards)

Maximum evenly distributed load for each shelf is 3KG.

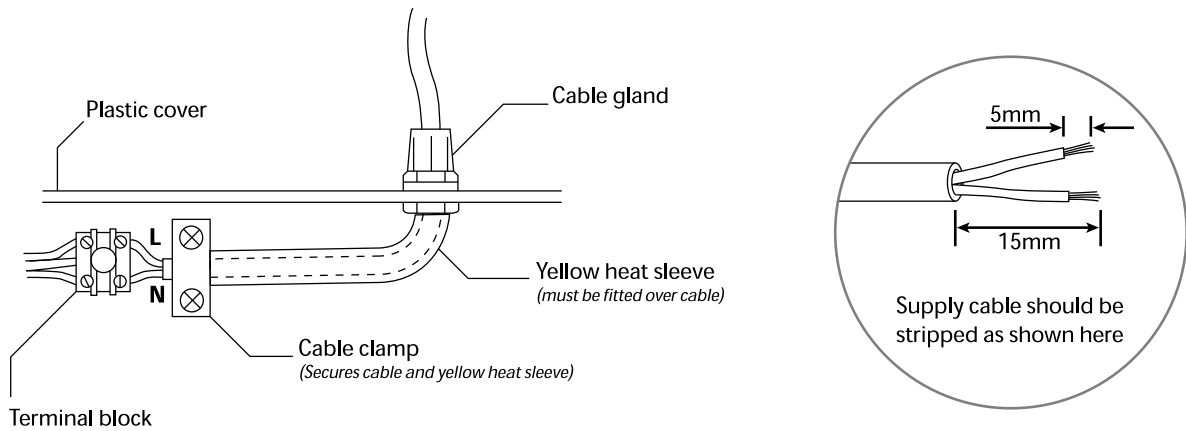
Do not place very hot or very cold items against or in close proximity to the glass shelves.

Do not strike the glass with hard or pointed items.

### BS7449 1991 Glass Shelves - 4mm annealed glass

If glass shelves are chipped or broken, contact Roper Rhodes Ltd for details on obtaining suitable replacements using the contact details below.

**Fig. 3**



### Electrical Connections

This unit is provided with supply cable already fitted. This cable should be connected to the household lighting circuit or to a fused 3 amp supply. Connections should be made according to national wiring regulations. If in doubt consult a qualified electrician. This product should not be fitted to a dimmer switch. If for any reason the supply cable is removed and replaced with an alternative cable, it is essential that this cable has high temperature insulation (eg silicone) and is fitted in the correct manner inside the plastic enclosure. This includes refitting the supplementary heat insulation sleeve. Electrical connections inside the plastic enclosure should be made as shown in Fig. 3.

### Product Operation

The lights and heated mirror pad are operated using the infrared switch in-set in the canopy. To turn the lights and mirror pad on simply wave your hand across the sensor within its range of up to 100mm. NOTE: No obstructions should be placed within 150mm of this sensor as this could interfere with its performance.

The heated mirror pad becomes fully effective after a few minutes, for best results switch on while running a bath or shower, not afterwards. The shaver socket is operated using the pull cord. Power to the shaver socket is on when the red LED glows. This socket is designed for shavers and rechargeable bathroom items such as tooth brushes. Output voltage 230V. Maximum power output 20VA. Devices that exceed this power consumption will render the socket inoperable due to the inbuilt overload protection device. This will automatically reset after a period of time if the shaver socket is switched off and the plug removed.

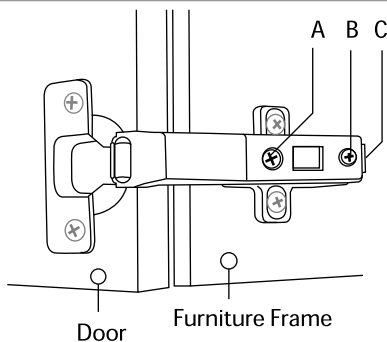
### Hinge Adjustment (for mirror / canopies supplied with integrated cupboards)

The soft close hinges are fully adjustable to make fine adjustments to the position of the cupboard door. The hinges also feature a quick release mechanism to quickly and easily detach the door from the furniture frame, this is activated by pressing button C (see Fig. 4).

To make adjustment 1 (see Fig. 5) tighten/loosen adjustment screw A.

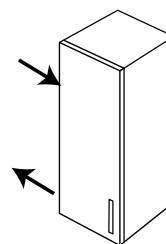
To make adjustment 2 (see Fig. 5) turn screw B.

**Fig. 4**

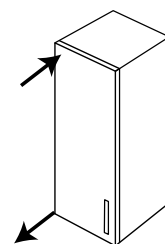


**Fig. 5**

**Adjustment 1**



**Adjustment 2**



Replacement components - Should you require any replacement components for this product please contact Roper Rhodes using the contact details below.

### Replacing Bulbs

**Warning** - Disconnect the unit from the mains power supply before attempting to replace a bulb.

**Warning** - Halogen lamps get very hot. Ensure bulbs are sufficiently cooled before changing.

**Warning** - If a lamp lens is smashed it must be replaced. This unit should not be operated with a smashed lens. Contact your supplier or Roper Rhodes Ltd at the address below for details of how to obtain replacement lenses.

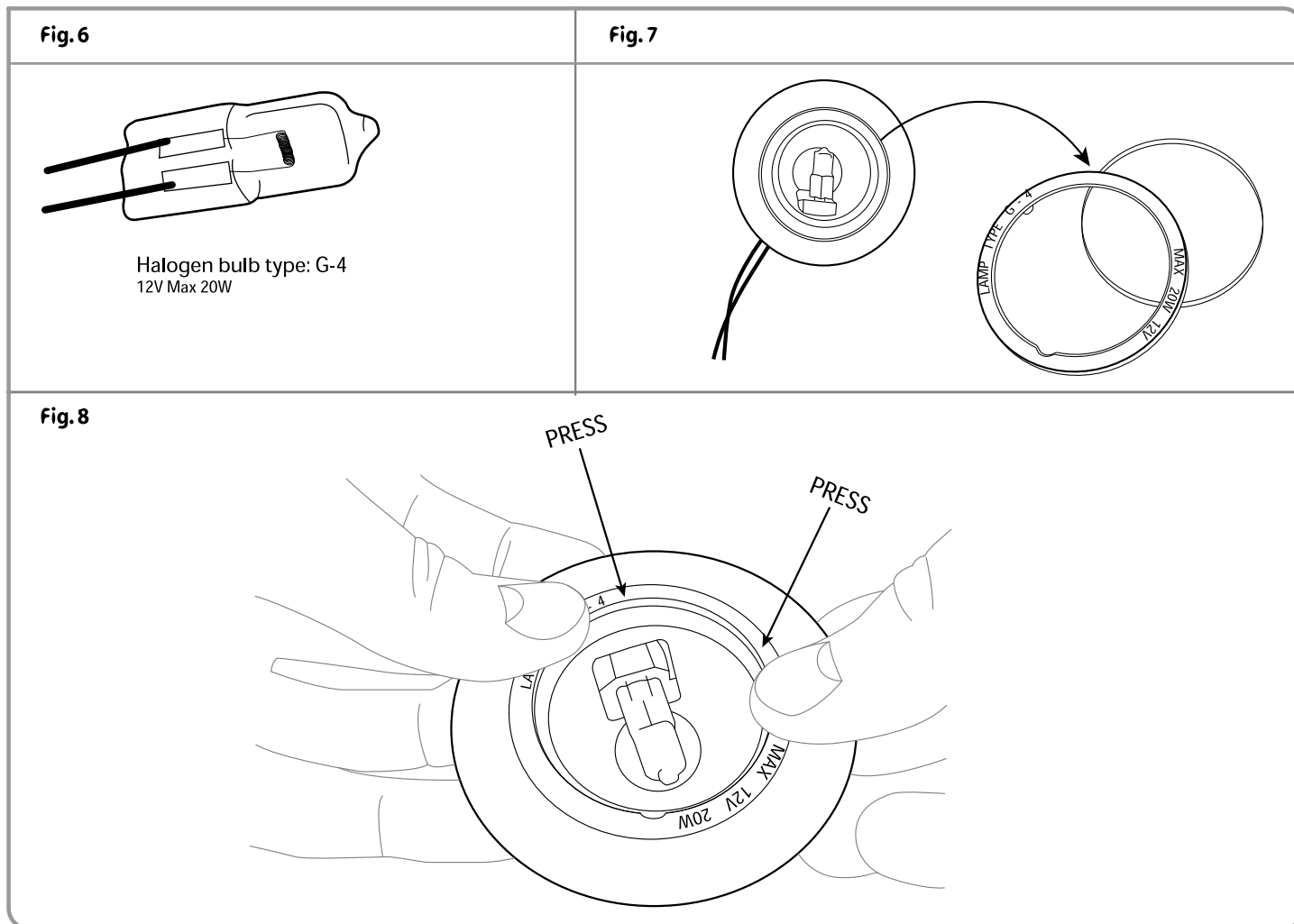
Use correct bulb type: Halogen bulb type G4 12Volt Max 20Watt (Fig. 5)

Do not touch replacement bulbs with bare fingers as this damages the bulbs.

To replace a bulb gently ease out the chrome plated lens retainer using a small pointed tool. The lens retainer and glass lens will now detach from the lamp holder (Fig. 6).

Remove the old bulb and fit a new one.

Replace the lens and retainer by gently pushing the chrome retainer back into position. Do not push the glass lens.



### Fitting handle (for mirror / canopies supplied with integrated cupboards)

The handle can simply be screwed into place using the screws supplied

### Furniture Aftercare Instructions

Ensure the lights are switched off and have cooled down.

#### We recommend...

Wipe away any water splashes or condensation after use. Excessive exposure to water will deteriorate the furniture.

All bathrooms should be well ventilated with a suitable extractor fan.

Clean with a soft damp cloth only.

Use a wax free polish if one must be used.

For removal of lime scale deposits use a suitable proprietary cleaner. If necessary test on an inconspicuous area first.

#### Please DO NOT...

Do not scrub or scour

Do not use abrasive cleaning agents