

IMPORTANT.

This product could be dangerous and is only to be installed by a competent person in accordance with current IEE wiring regulations. If in doubt consult a qualified electrician

WARNING

- DO NOT - strike glass components with hard or pointed items.
- DO NOT - place very hot or very cold items against or in close proximity to glass surfaces.
- DO NOT - connect to a trailing plug and socket outlet
- DO NOT - install in saunas, steam rooms or shower cubicles.
- DO NOT - install the product to surfaces that are damp or otherwise electrically conductive.

Fitting in bathrooms is subject to the appropriate zone in accordance with IEE Regulations. This product is suitable for zone 2 and outside zones. IT IS NOT suitable for installation in Zone 0 or Zone 1.

This product is only suitable for permanent installation. Although this product has an Ingress Protection rating of IP44 it is only suitable for indoor use.

Wear suitable eye protection when drilling. Take care when using power tools near water - the use of a residual current device (RCD) is advised. Beware of hidden cables or pipes. Take care if drilling on tiled surfaces in case the drill slips. A piece of masking tape applied to the wall before marking out the fixing holes will stop the drill from wandering.

The nominal thickness of the mirror glass used in this product is 5mm and is film backed for safety. If the glass becomes chipped or broken replace immediately.

This product should be positioned well away from curtains and other fabrics. Never cover the mirror. This product is heated, we recommend that it is turned off after use and should never be left on for prolonged periods of time

COMPLIANCE

This product complies with all relevant British and European safety standards:

WIRING

This product is manufactured to class I category and must have an earth connection.

COLOUR CODING:

L - Live = Brown

N - Neutral = Blue

⊕ - Earth = Green & Yellow

CLEANING

It is recommended that the unit is cleaned with a soft, dry, non abrasive cloth when turned off. Never use cleaning agents or abrasive materials on any type of surface finish. Do not allow moisture to come into contact with the electrical components.

DEMISTER PAD

This product has an integrated demister pad which raises the temperature of the associated mirror glass to above ambient temperatures to prevent condensation forming.

INSTALLATION OF THIS PRODUCT REQUIRES CAREFUL PLANNING – PLEASE READ THROUGH THE ENTIRE INSTRUCTIONS BEFORE COMMENCING INSTALLATION:

This mirror requires two people for installation.

BEFORE YOU BEGIN

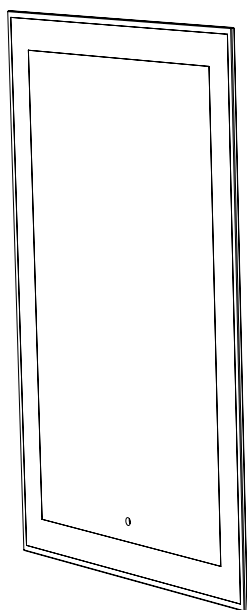
Ensure that the wall where the mirror will be installed is level, flat and cleared of any debris. Use a straight edge to check the wall and remove any obstructions. Any variance in the wall level or unevenness could damage the mirror frame during installation and result in issues when assembling at a later stage.

This mirror requires that an electronics box is recessed behind the mirror as indicated by the included template. If fitting onto an existing tiled wall an area of tiles will need to be removed to allow the box to be recessed

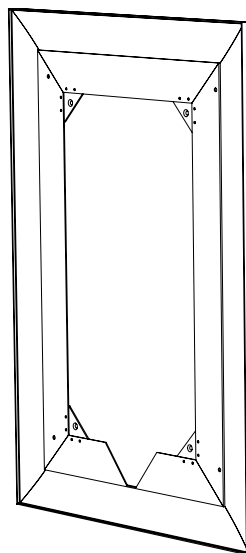
This mirror can be installed directly onto a plain wall or recessed by tiling up to the frame.

NOTE: if tiling around the mirror frame the frame must protrude above the surface tile by at least 2mm (the total frame depth is 11mm). If the tiles are too thick to allow for this clearance spacers may be used on the fixings between the wall and the mirror frame to ensure correct clearance.

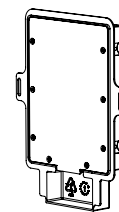
It is recommended that the mirror is installed before tiling to ensure an accurate fit. If tiling before fitting the mirror it is advised to pay careful attention to the dimensions specified on the template and to complete this work as accurately as possible. Failure to do so may result in issues fitting the mirror in the tile cavity. NOTE. If recessing the mirror into tiling it is advisable to tile as close to the frame as possible to achieve a neat edge.



Mirror body



Mirror frame



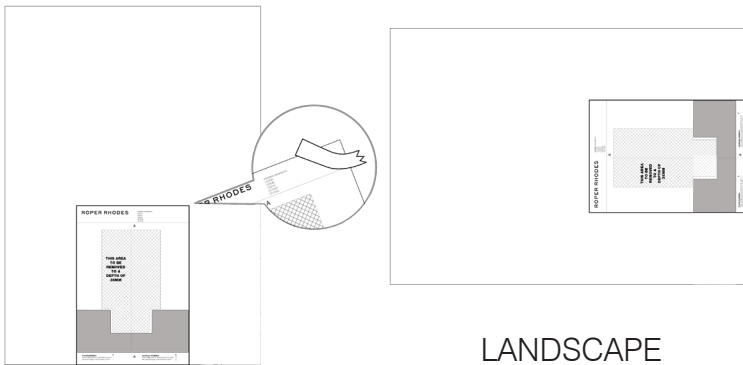
Electronics enclosure

INSTALLATION STEPS

Portrait installation

Landscape installation

1.



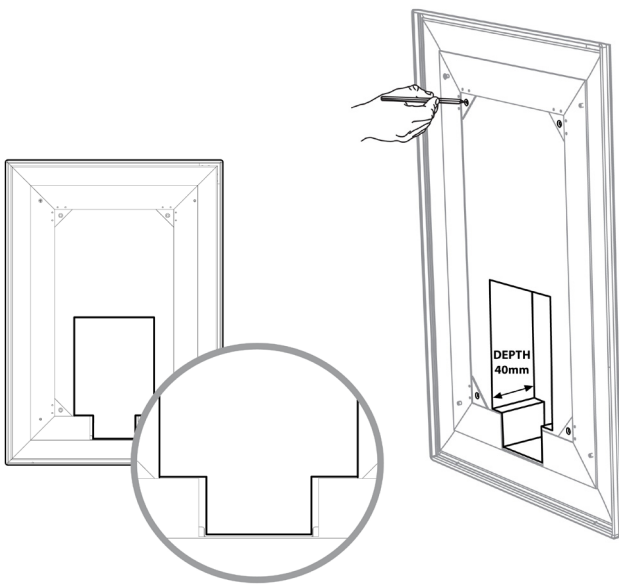
PORTRAIT

LANDSCAPE

Fix template to the wall in the intended position with masking tape. Mark out the area to be removed for the electrical box.

The bottom edge of the template represents the final position of the mirror frame. Use the centre line on the template to position the centre point of the mirror final position.

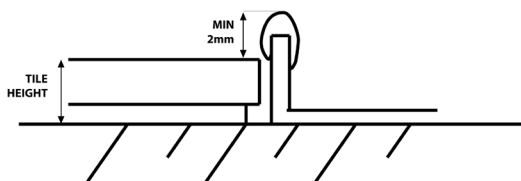
2.



Cut out the recess for the box to a depth of 40mm. It is important that the recess is cut as close to the template line as possible. If cutting into a solid wall a channel for mains power supply will also need to be cut.

Offer the mirror frame up to the wall noting the orientation labels. Using a pencil mark off the four fixing points.

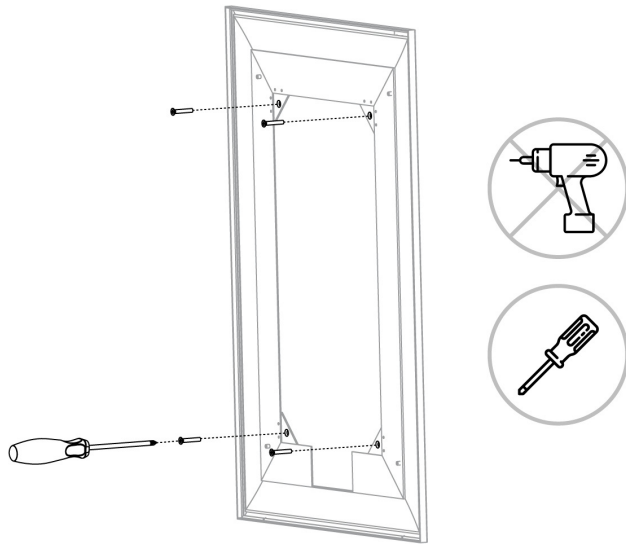
3.



NOTE.

If the wall surface has been tiled up to the mirror perimeter, check the front of the frame clears the tiles by at least 2mm. If the clearance is less than 2mm, you will need to use spacers between the wall and the mirror frame to space the frame away from the wall.

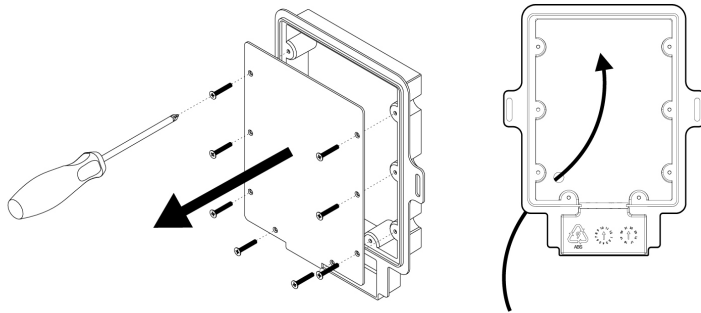
4.



Use hand tools and suitable wall fixings to secure the mirror frame in place. **It is very important that the fixing screws are not over tightened.**

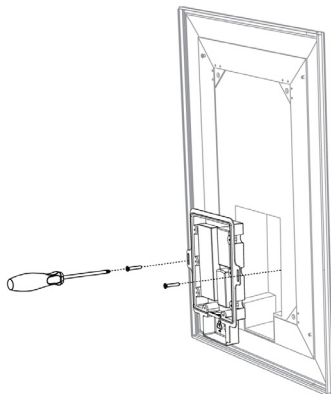
NOTE: IT IS EXTREMELY IMPORTANT TO ORIENT THE FRAME CORRECTLY ACCORDING TO THE LABELS ON THE FRAME. IF THE FRAME IS NOT ORIENTATED CORRECTLY THE MIRROR GLASS WILL NOT SECURE TO THE FRAME.

5.



Remove the cover of the electronics enclosure and feed the mains power cable through the grommet in to the interior

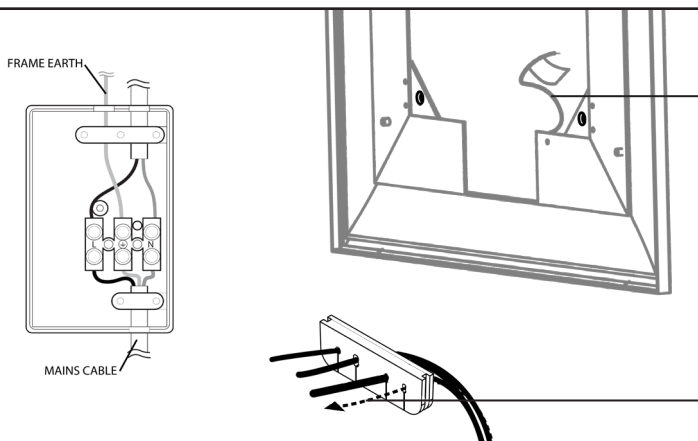
6.



Offer the electrical box up to the recess and secure to the wall with suitable fixings through the connection points ensuring it is completely flush to the wall surface.

Removing the mirror frame for this step may aid installation.

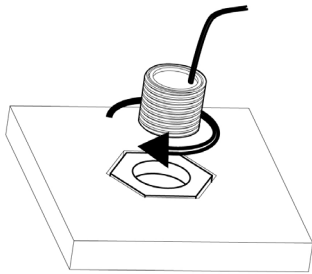
7.



Route the earth cable from the mirror frame through the electronics enclosure grommet and connect. Connect the mains power cable.

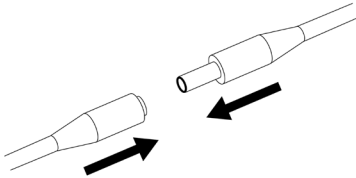
Replace the cover.

8.



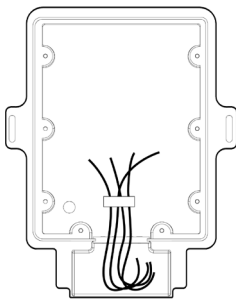
Screw the IR sensor head into the mirror body.

9.



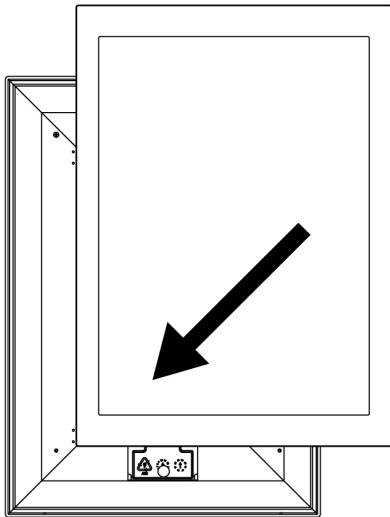
Connect the LED and Demister pad cables connectors.

10.



Once connected the excess cabling should be secured to the electronics enclosure using the clips on the electronics enclosure cover provided. Offer the mirror glass assembly up to the frame

11.



ensuring it is orientated according to the labels. Any loose cables need to be located / fed into the recess in the electrical box.

Position the glass in the correct orientation and engage the frame pins into the keyhole slots on the mirror glass assembly.

Ensure all 4 pins are engaged and the mirror glass is flush to the front of the mirror frame. Slide the glass (a) down and left for portrait orientation or (b) down and right for landscape orientation. The mirror glass will lock into place when it is centred on the frame.

Check that the mirror glass is secure and centred on the mirror frame. Look around the edge of the frame for any gaps to indicate it has not been mounted correctly. Interference from loose cables may cause problems. If necessary remove the glass in the opposite direction and re-attach correctly as instructed in step 6.

Reconnect mains power and test IR sensor function by waving hand in front of sensor for LED on/off function.