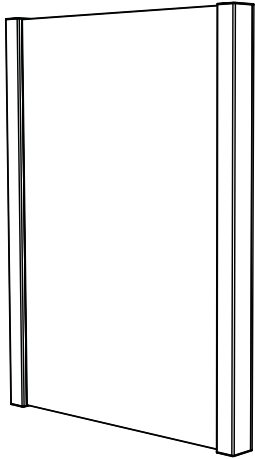


EVOLVE
MLB310



ELECTRICAL SAFETY INSTRUCTIONS (Applicable to UK Installations only)

All fittings must be installed by a competent person, in accordance with current IEE wiring regulations. If in doubt consult a qualified electrician

IMPORTANT

Always switch off the electrical supply at the mains during installation and maintenance. It is recommended that the fuse is withdrawn or the circuit breaker is switched off for the necessary circuit before installation commences.

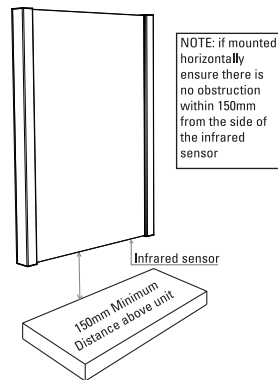
Fitting in Bathrooms is subject to the appropriate zone in accordance with IEE Regulations. This product is suitable for zone 2 and outside zones. IT IS NOT suitable for installation in Zone 0 or Zone 1. It is also not suitable for installation in saunas, steam rooms or shower cubicles. This product is only suitable for permanent installation. DO NOT connect to a trailing plug and socket outlet. Although this product has an Ingress Protection rating of IP44 it is only suitable for indoor use. Do not attach the product to surfaces that are damp or otherwise electrically conductive.

INSTALLATION CARE & SAFETY

Wear suitable eye protection when drilling. Take care when using power tools near water - the use of a residual current device (RCD) is advised. Beware of hidden cables or pipes. Take care if drilling on tiled surfaces in case the drill slips. A piece of masking tape applied to the wall before marking out the fixing holes will stop the drill from wandering.

IMPORTANT

The product must be installed with a minimum distance of 150mm between the infrared sensor and an adjacent wall or obstruction to ensure correct function of the sensor (see diagram below).



DO NOT strike glass components with hard or pointed items. DO NOT place very hot or very cold items against or in close proximity to glass surfaces unless an adequately thick insulation material is used to prevent such items coming in contact with the glass.

The nominal thickness of the mirror glass used in this product is 5mm and is film backed for safety. If the glass becomes chipped or broken replace immediately.

This product should be positioned well away from curtains and other fabrics. Never cover the mirror. This product is heated, we recommend that it is turned off after use and should never be left on for prolonged periods of time

This product could be dangerous and is only to be installed by a competent person.

CLEANING

It is recommended that the unit is cleaned with a soft, dry, non abrasive cloth when turned off. Never use cleaning agents or abrasive materials on any type of surface finish. Do not allow moisture to come into contact with the electrical components.

COMPLIANCE

This product complies with all relevant British and European safety standards:

WIRING

This product is manufactured to class I category and must have an earth connection. ⊕

COLOUR CODING:

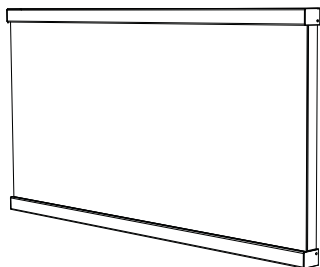
- L - Live = Brown
- N - Neutral = Blue
- ⊕ - Earth = Green & Yellow

LAMPS

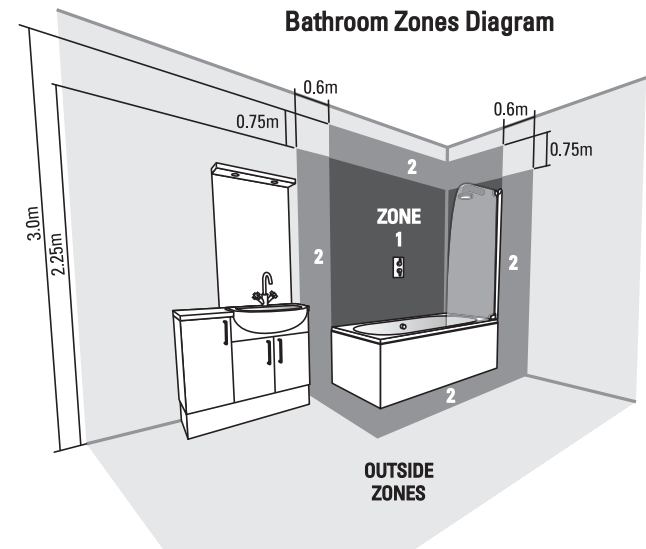
- EVOLVE = 2 x T4 22W
- TRANSCEND = 2 x T4 28W

Always ensure the correct bulb is used and that the maximum bulb rating is not exceeded.

TRANSCEND
MLB320

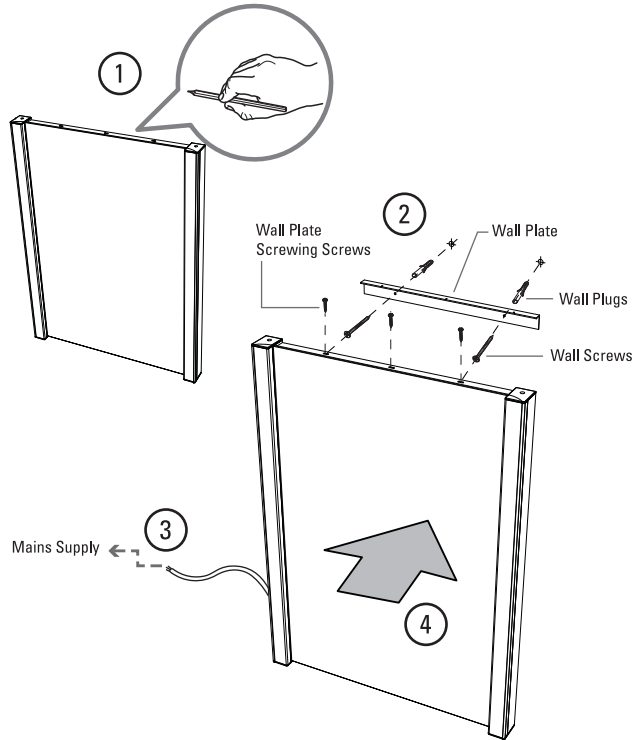


Bathroom Zones Diagram



Distances from a bath tub or shower tray

VERTICAL INSTALLATION



INSTALLATION PROCEDURE (two people are required)

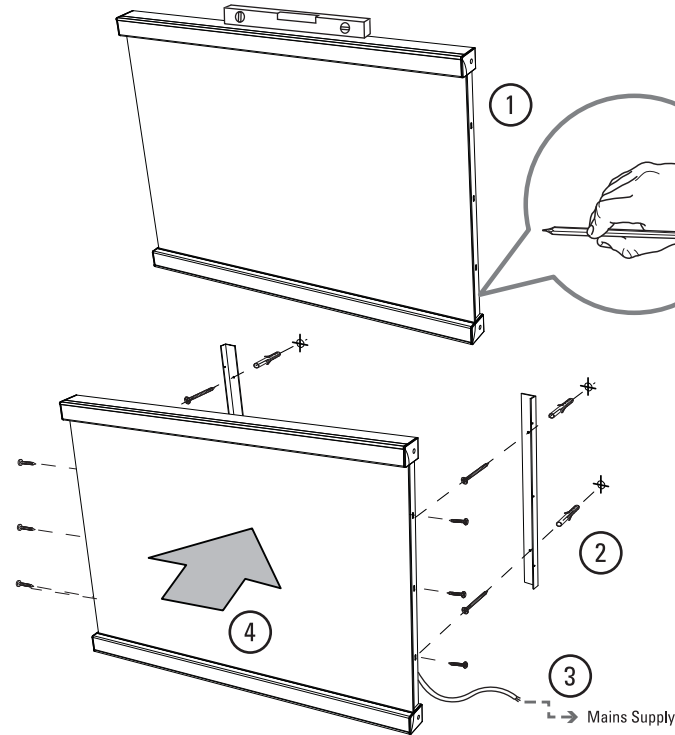
The wall surface must be of suitable strength and construction. This mirror can be mounted either portrait or landscape.

1) Firstly unscrew the wall plate(s) from the back of the mirror. NOTE: If mounting vertically it is possible to use a single wall plate to make installation easier. If mounting horizontally both wall plates will need to be installed. Ensure you keep the wall plate securing screws safe.

2) For **vertical** installations hold the mirror in the desired location, use a spirit level to ensure the mirror is straight. Mark a line along the top edge of the mirror frame. Place mirror to one side. The wall bracket should be offered up to the marked line and positioned approximately 2mm below and parallel to it. Mark where the wall fixing screws will be positioned. Place the bracket to one side and drill holes.

For **horizontal** installations hold the mirror in the desired location, use a spirit level to ensure the mirror is straight. Mark a line along the side edges of the mirror frame. Place mirror to one side. Each wall bracket should be offered up to the marked lines and

HORIZONTAL INSTALLATION



positioned approximately 2mm inside and parallel to them. Ensure both brackets are positioned at the same height. Mark where the wall fixing screws will be positioned. Place the bracket to one side and drill holes.

NOTE: The wall plugs supplied are only suitable for solid stone / brick walls. For plasterboard walls use specialist wall plugs.

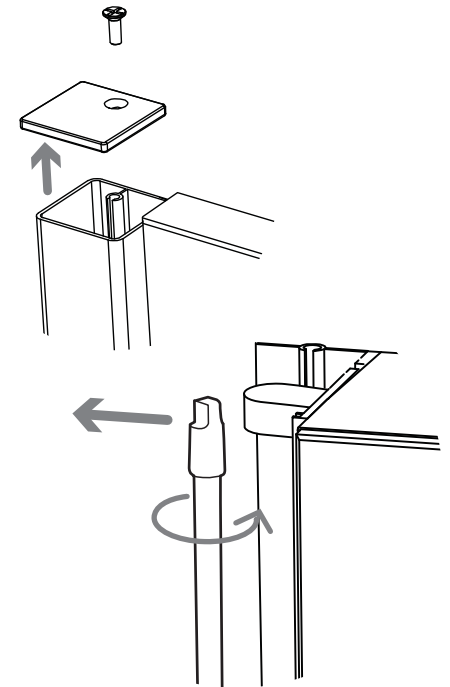
3) The next step is to make the electrical connection from the mirror to the mains supply. Use the trailing wire found at the rear of the mirror to make the necessary connections in accordance with the current IEE regulations. A second person will need to hold the mirror in place whilst electrical connections are made.

THIS PRODUCT IS MANUFACTURED TO CLASS I CATEGORY AND MUST HAVE AN EARTH CONNECTION.

<p>Colour Coding: L - Live = Brown N - Neutral = Blue ⊕ - Earth = Green & Yellow</p>	<p>Strip wires to a suitable length. DO NOT connect to a plug & socket outlet.</p>
---	--

! IF IN DOUBT CONSULT YOUR ELECTRICIAN !

REPLACING BULBS



4) Slide the mirror onto the wall plates and refit the screws. The wall plates are slotted if adjustment is required.

MAINTENANCE

If a fluorescent lamp fails please contact the Roper Rhodes sales office using the contact details at the bottom of this page, stating the mirror model and product code (codes on opposite side of the page). Once you have obtained a spare it is necessary to turn off the mains electricity supply then remove the plastic light diffuser. Unscrew one of the chrome end caps and slide the diffuser out of the track. If you don't have room to fully slide out the diffuser remove the other end-cap and squeeze the diffuser off the track. With the diffuser removed, gently twist the bulb 90° and remove it from the socket. Do not apply pressure to the lamp. Replace the new lamp by slotting into location and twist until secure. Replace the diffuser and screw on end cap(s). Other spare parts are also available for these mirrors, please contact the Roper Rhodes sales office for details.