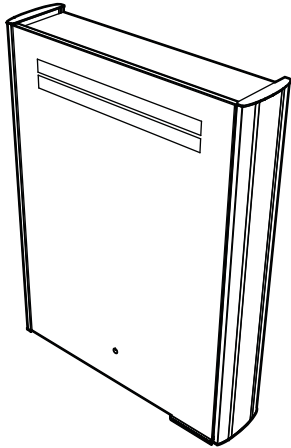


**TOUCH  
AS252**



**ELECTRICAL SAFETY INSTRUCTIONS** (Applicable to UK Installations only)

All fittings must be installed by a competent person, in accordance with current IEE wiring regulations. If in doubt consult a qualified electrician.

**IMPORTANT**

Always switch off the electrical supply at the mains during installation and maintenance. It is recommended that the fuse is withdrawn or the circuit breaker is switched off for the necessary circuit before installation commences.

Fitting in bathrooms is subject to the appropriate zone in accordance with IEE Regulations. This product is suitable for outside zones. It IS NOT suitable for installation in Zone 0 and Zone 1. It is also not suitable for installation in saunas, steam rooms or shower cubicles. This product is only suitable for permanent installation. DO NOT connect to a trailing plug and socket outlet. This product is only suitable for indoor use. Do not attach the product to surfaces that are damp or otherwise electrically conductive.

**INSTALLATION CARE & SAFETY**

Wear suitable eye protection when drilling. Take care when using power tools near water - the use of a residual current device (RCD) is advised. Beware of hidden cables or pipes. Take care if drilling on tiled surfaces in case the drill slips. A piece of masking tape applied to the wall before marking out the fixing holes will stop the drill from wandering.

DO NOT strike glass components with hard or pointed items. DO NOT place very hot or very cold items against or in close proximity to glass surfaces unless an adequately thick insulation material is used to prevent such items coming in contact with the glass.

The nominal thickness of the mirror glass used in the product is 3mm and is film backed for safety. If the glass becomes chipped or broken replace immediately. For replacement glass and other components contact customer service at the address below.

**CLEANING**

It is recommended that the unit is cleaned with a soft, dry, non abrasive cloth when turned off. Never use cleaning agents or abrasive materials on any type of surface finish. Do not allow moisture to come into contact with the electrical components.

**OPERATING INSTRUCTIONS**

The light is operated by touching the button located on the front of the mirror. This also operates the heated demisted pad. Do not leave the cabinet turned on for long periods of time.

**COMPLIANCE**

This product complies with the following safety standards:  
 BS EN 60598-1: 2004, EN 60598-2-1: 1989, BS EN 60598-2-2: 1997 & Amd 1. BS 7449: (1991), BS EN 14749: (2005), BS EN 60529:1992

**WIRING**

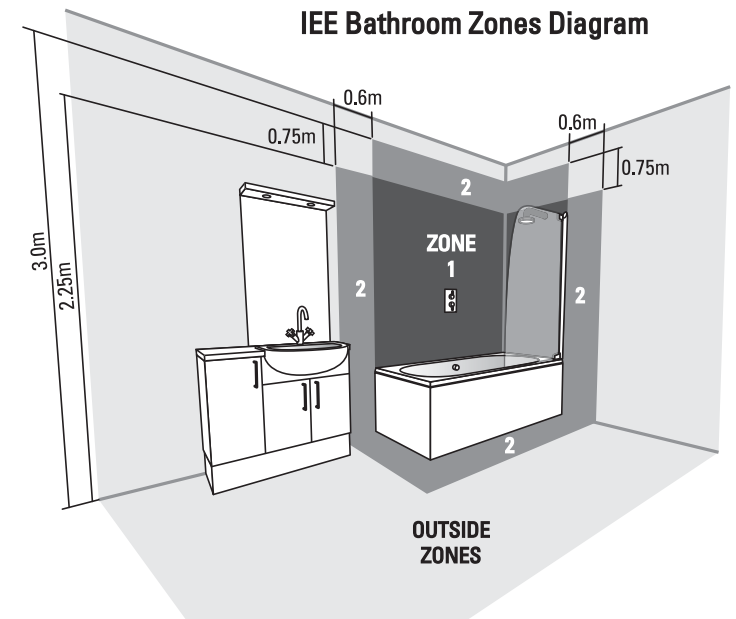
This product is manufactured to class I category and must have an earth connection. ⊕

**COLOUR CODING:**

- L - Live = Brown
- N - Neutral = Blue
- ⊕ - Earth = Green & Yellow

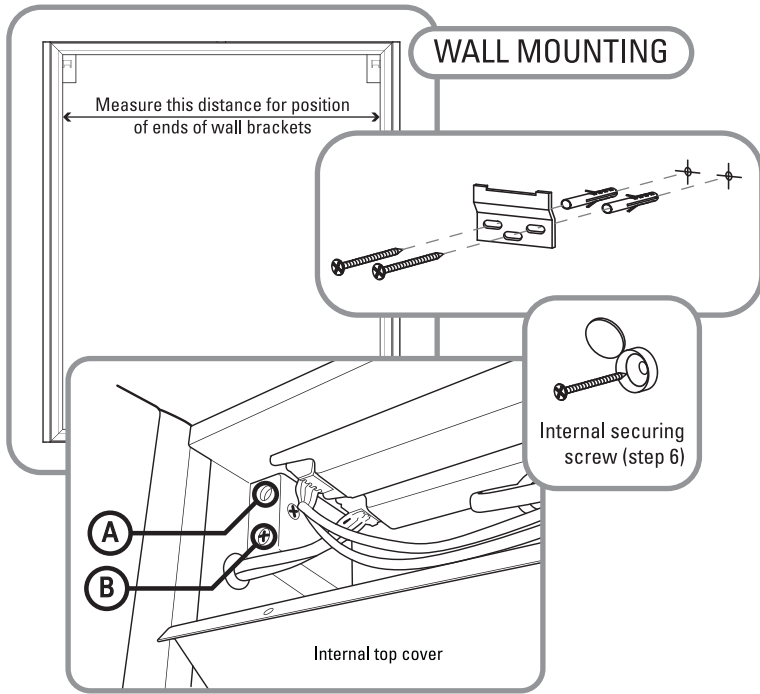
**LIGHTS**

1x LED Light Strip

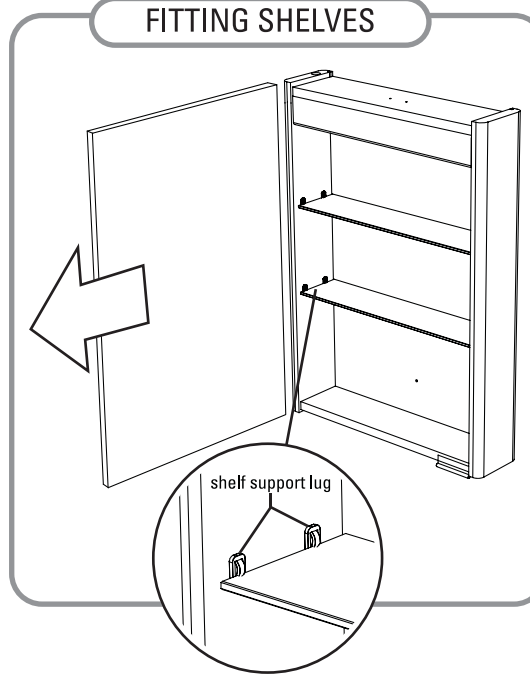


Distances from a bath tub or shower tray

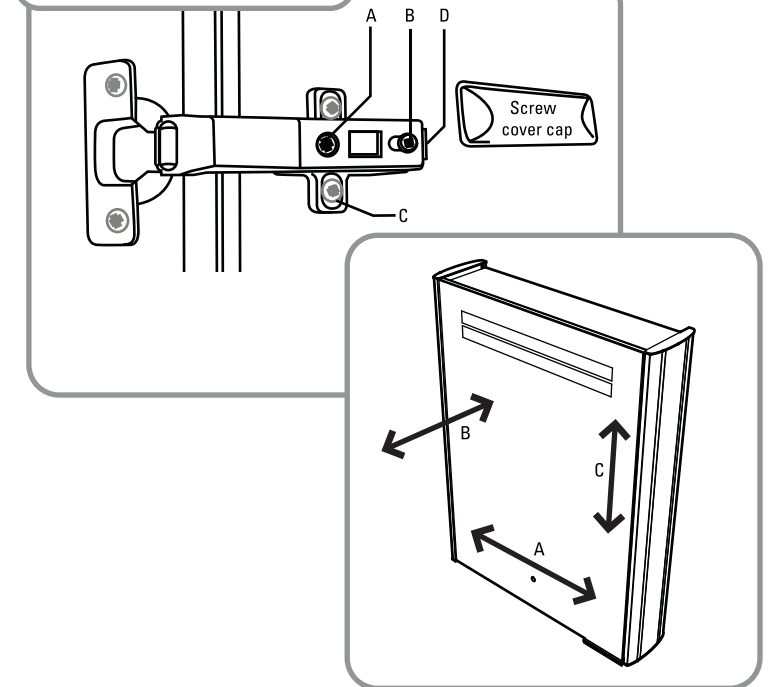
### WALL MOUNTING



### FITTING SHELVES



### HINGE ADJUSTMENT



### INSTALLATION PROCEDURE

- 1) Remove the packaging taking special care with the door and separate shelves. Open the cabinet door and ensuring you haven't connected the power remove the screws on the front edge and lower the internal top cover. Take care not to lose the screws.
- 2) Using a spirit level, mark off a horizontal line approximately 40mm below where the top of the cabinet is to be. Position the bracket hole centres so that they are centred on the line, and ensure that the ends of the brackets are spaced to the width between the inner edges of the vertical aluminium extrusions (see illustration). Mark off the holes using a pencil.
- 3) Note: Wall plugs supplied are only suitable for solid stone / brick walls. For plasterboard walls use specialist wall plugs, available from DIY or hardware stores. Seek advice from a specialist about the suitability of fixings to be used. Drill the required holes and insert wall plugs.
- 4) Screw the brackets to the wall using the screws provided. Please ensure the screws are fully tight but take care not to overtighten. Two screws must be used in each bracket.

5) Before making any electrical connections (or performing any maintenance) it is necessary to turn off the mains electricity supply. This unit is provided with a supply cable already fitted. This cable should be fitted to the household lighting circuit or to a fused 3 AMP supply. Connections should be made in accordance with the latest IEE regulations. This cabinet is manufactured to CLASS I and requires an earth connection.

6) Hang the cabinet on the wall brackets. The claws on the cabinet hangers must be securely located on the wall brackets. Using a spirit level adjust the angle of the cabinet by turning screw A with a cross head screwdriver. When the angle is properly adjusted, screw through the lower section of the cabinet backboard and mark the wall. Remove the cabinet from the wall, drill a suitable hole in the marked location and fit a wall plug. Re-hang the cabinet making sure to tighten screw B on both hangers and secure the base of the cabinet to the wall with the supplied screw and cover-cap. The cabinet should not be left unattended until it is fully secure.

7) When the cabinet is fully secure the internal top cover should be closed and secured with the small screws removed earlier. When the cover is closed and secure restore the mains power and test the function of the lights and the shaver socket. If the light fails to function properly it is likely the IR sensor has been positioned too close to an adjacent wall or reflective surface.

8) To fit the glass shelves firstly remove the door using the quick release mechanism (D in the Hinge Adjustment Diagram above). Then insert the shelf support lugs in the desired positions then slide the glass shelves onto the support lugs. Blanking plugs supplied can be used to cover unused shelf holes. When the shelves are in place re-fit the door back onto the hinge plates.

9) If the doors are out of alignment first remove the screw cover cap. The soft-close hinges offer adjustment in 3 directions via adjustment screws A, B and C (see diagram).

**NOTE:** The mirror is only heated when the light is switched on and the door is closed. The mirror will take a few minutes to reach temperature. Only the outer mirror of the door is heated.