

Torrent

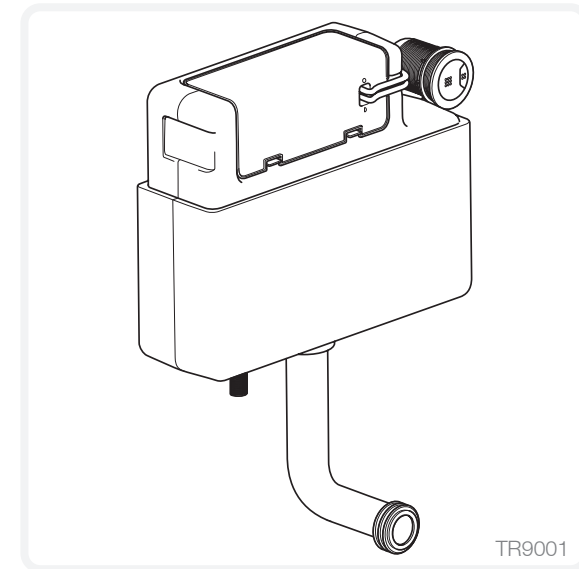
Slimline Concealed Cistern

Please retain for future reference

△ TR9001

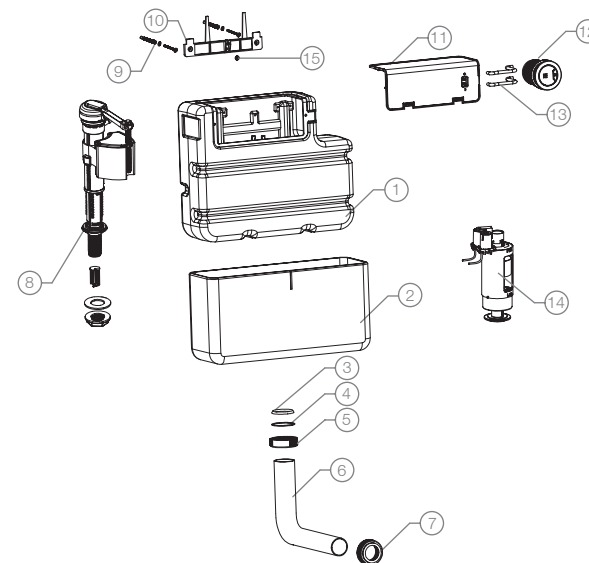
trade

bathroom products



We recommend that this product should be fitted by a qualified plumber.

parts included

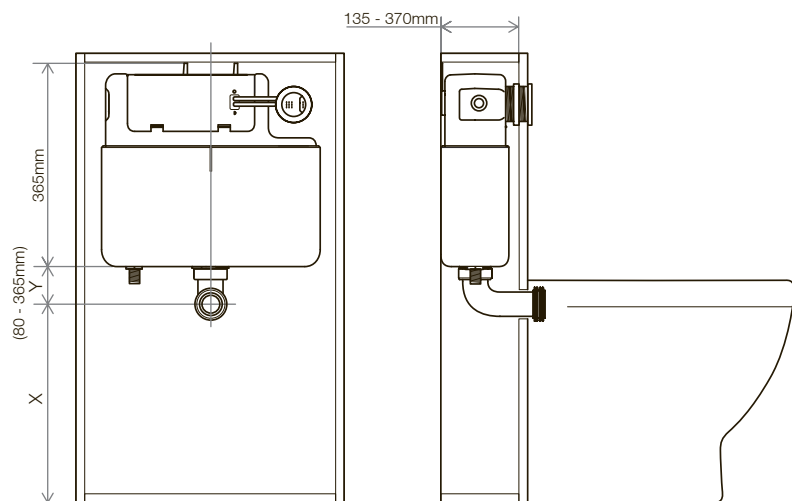


1. Cistern
2. EPS Jacket
3. Seal
4. Washer
5. Flush Bend Nut
6. Flush Bend
7. Key Seal
8. Bottom Entry Fill Valve
9. 2 x Attaching Screws
10. Attachment Plate
11. Cistern Cover
12. Pneumatic Push-button
13. Air Hoses
14. Flush Valve
15. Cistern Fixing Screw

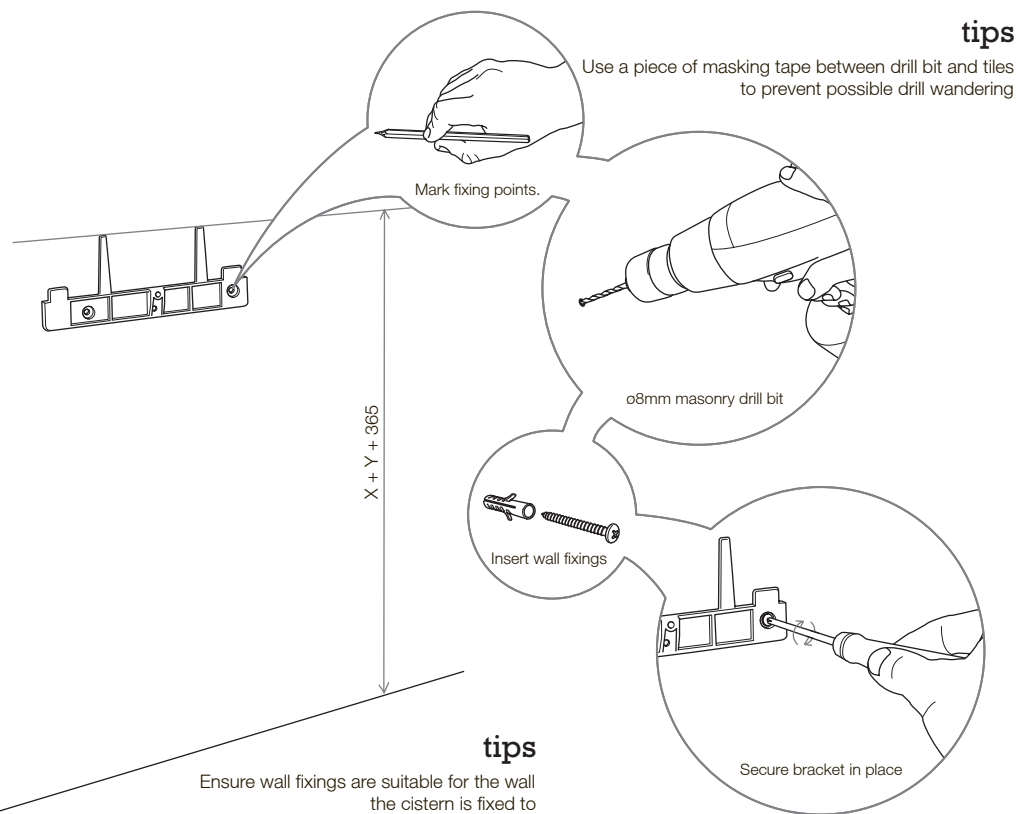
trade

Brought to you by the Roper Rhodes Group
Brassmill Lane Trading Estate
Bath
BA1 3JF
t: 01225 303900

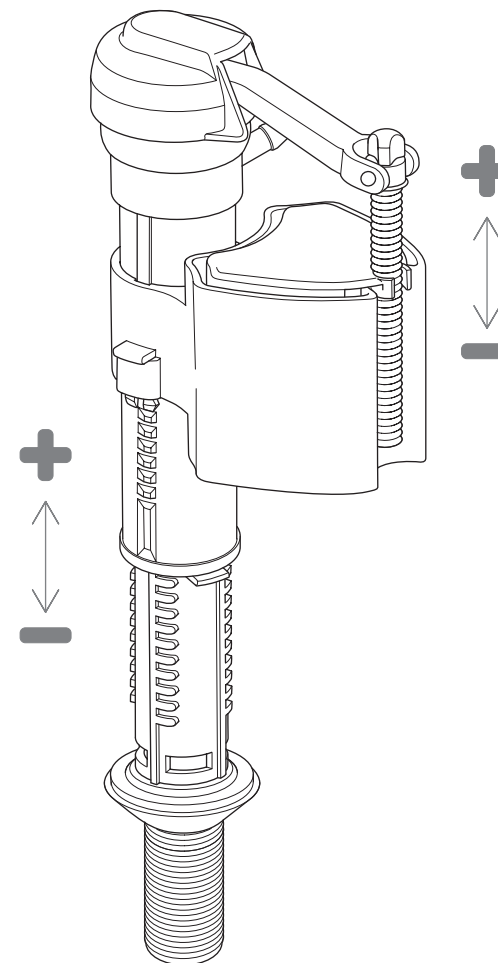
fitting dimensions



installation of the cistern

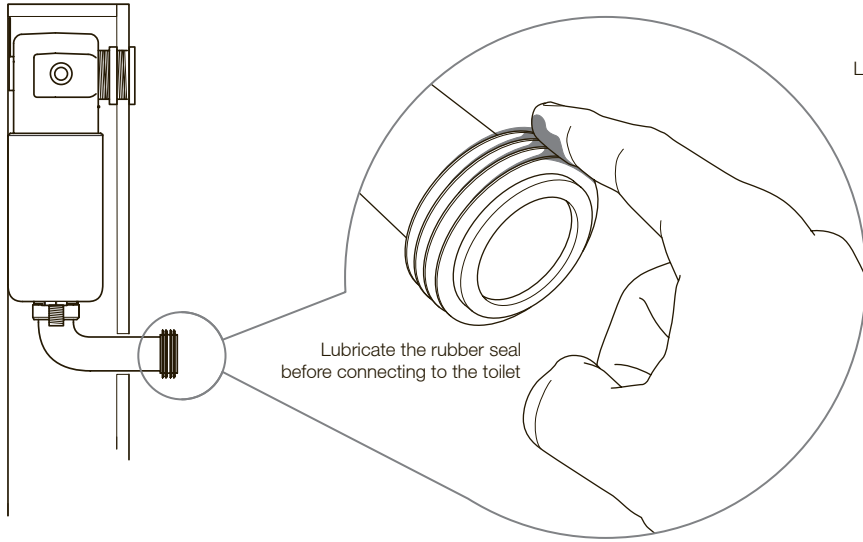


adjusting the water level



By adjusting the fill valve the water level can either be increased or decreased accordingly

fixing the toilet

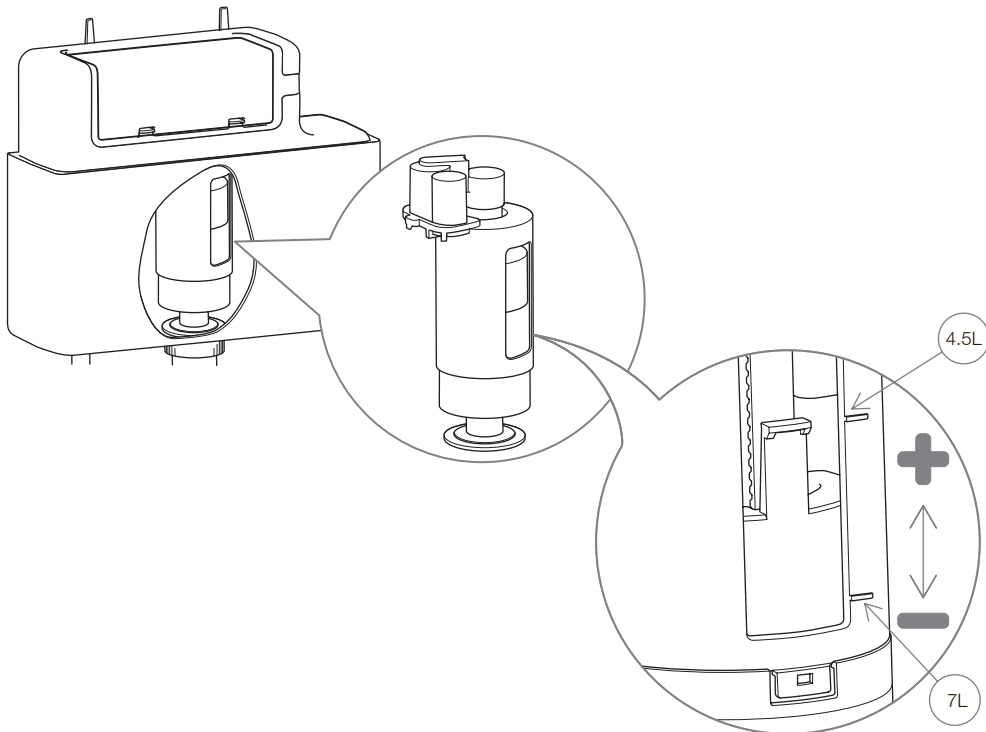


Lubricate the rubber seal before connecting to the toilet

note

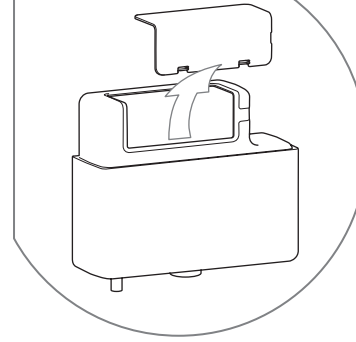
Lubricant not supplied. Please use a suitable plumbers grease.

adjusting the flush volume

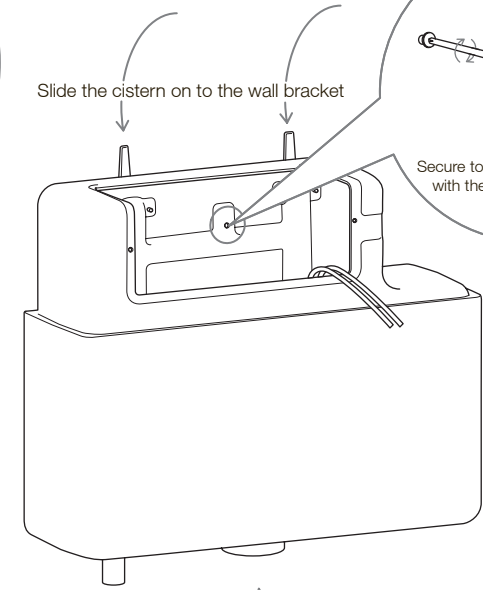


By adjusting the flush valve the flushing volume can be altered

Remove cistern cover



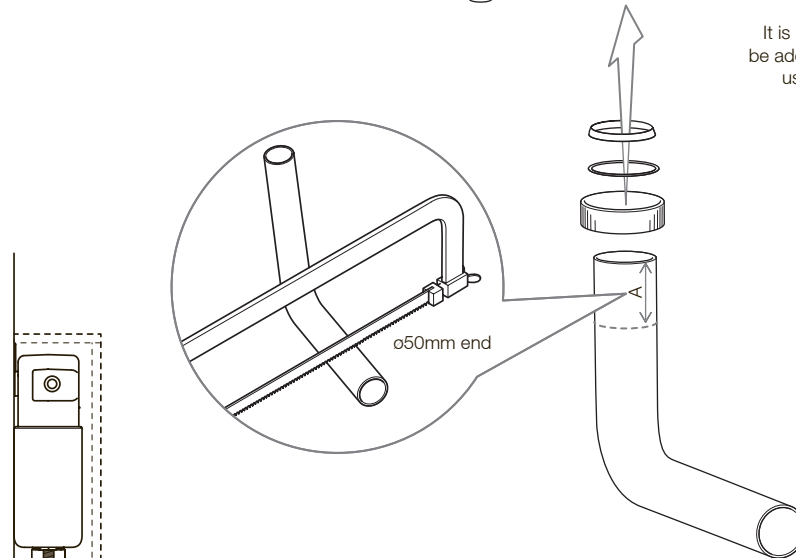
Slide the cistern on to the wall bracket



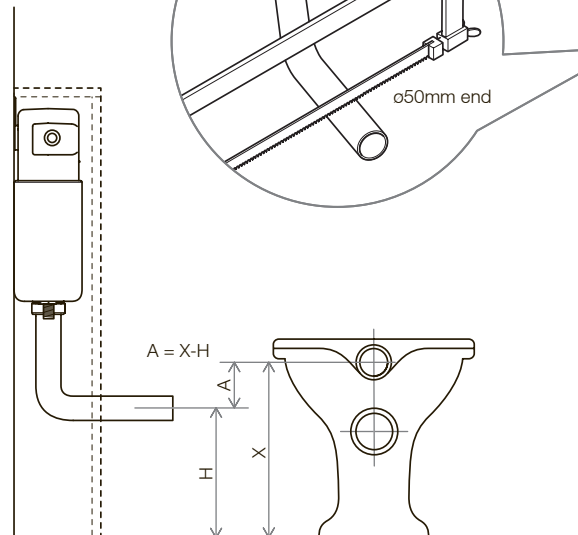
Secure to the wall bracket with the screw provided

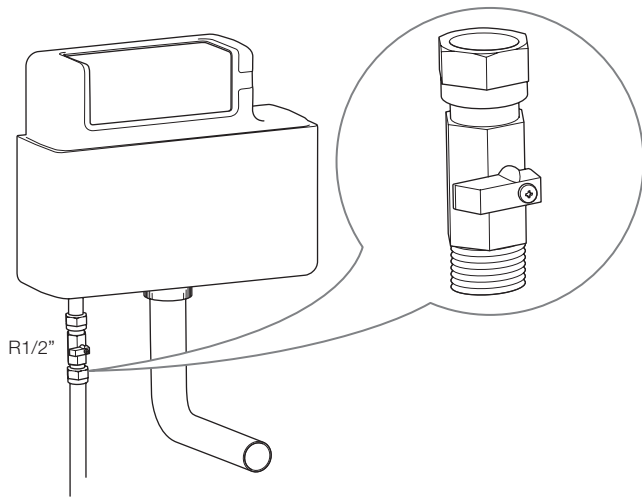
tips

It is recommended that the flush bend be adequately braced against the wall using an appropriate pipe bracket or wooden packing.



Cut the flush bend to size and attach to the cistern, using the appropriate fittings, as shown.



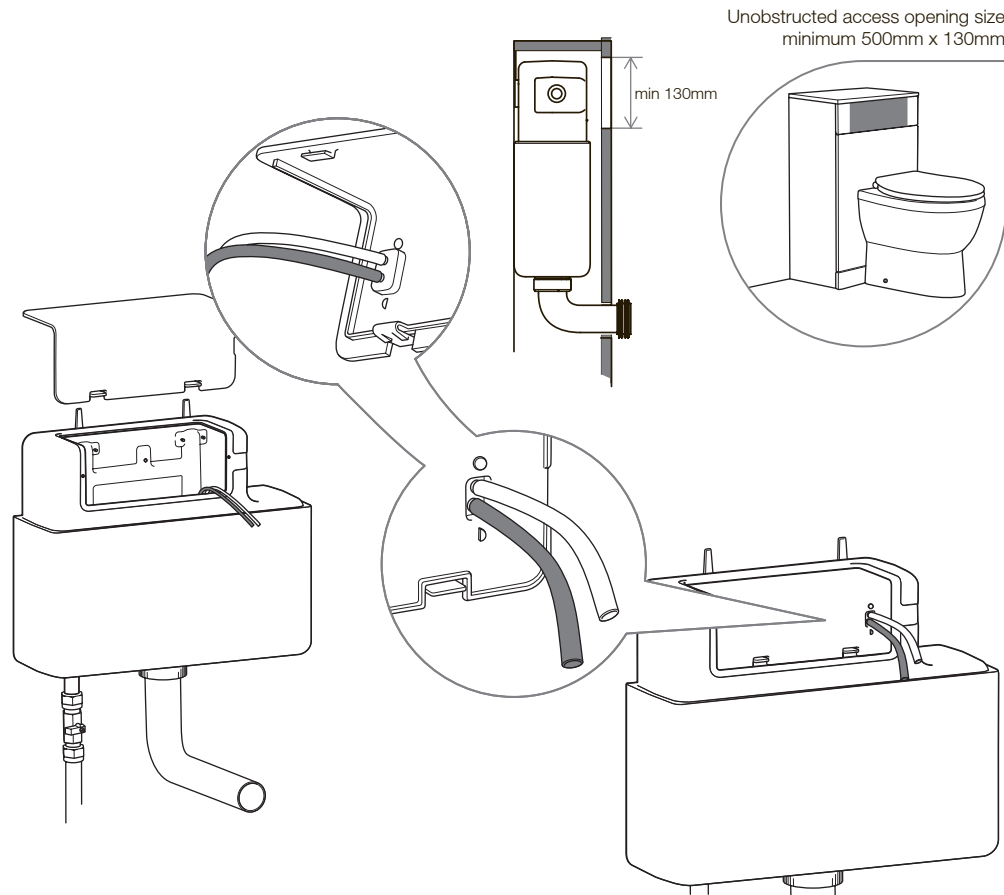


note

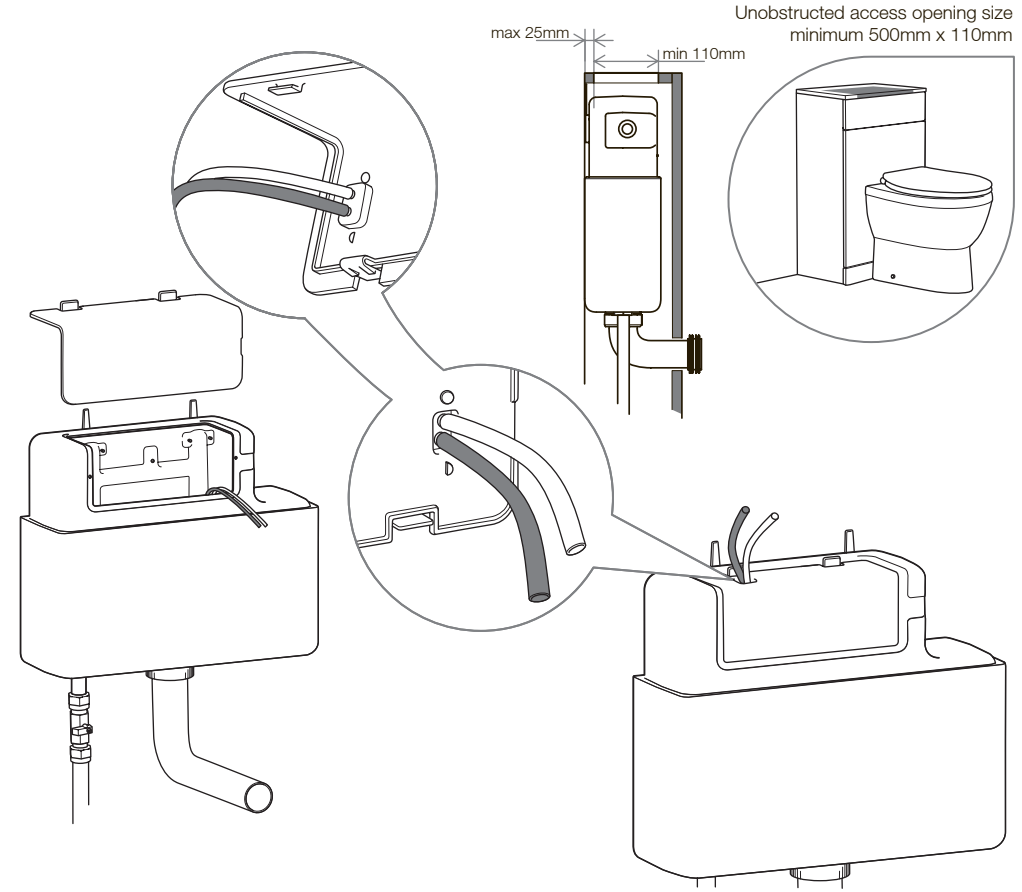
Stop valve not included

Connect the water supply to the cistern using an approved stop valve

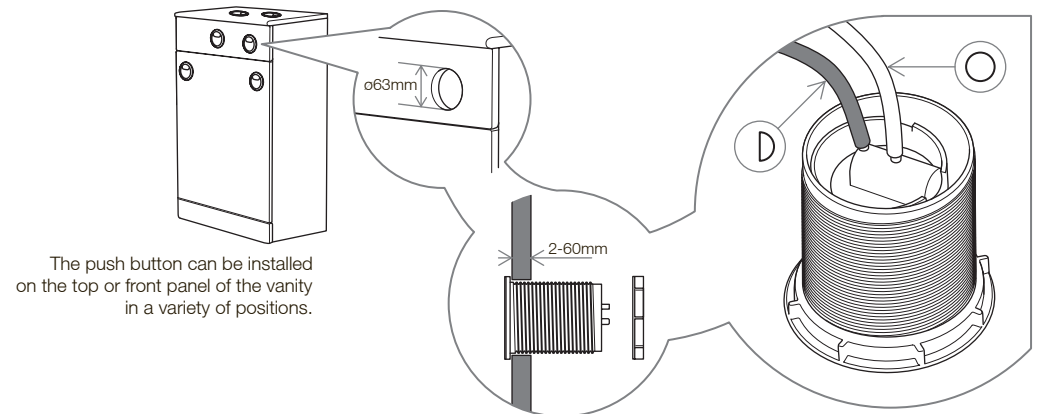
installation with a front access panel



installation with a top access panel



installation of pneumatic push-button



The push button can be installed on the top or front panel of the vanity in a variety of positions.