

## GENERAL NOTES

This mixer should be installed in accordance with water regulations. Approved check valves should be fitted where required. For further details please contact your local water authority. Should the mixer fail to operate effectively it may be that there is insufficient water pressure. Similarly, hot & cold water supplies should be relatively balanced for optimum performance. A reputable plumber will be able to advise on each of these issues.

## AFTERCARE INSTRUCTIONS

Whilst this item has a high quality durable finish, it should nevertheless be treated with care. Surfaces should be cleaned using only a soft damp cloth and clean water & dried using a soft cotton cloth. Bath cleaning products, even non-scratch ones could damage the finished surface.

## 10-YEAR GUARANTEE

We have complete confidence in this Roper Rhodes product and as such it is offered with a 10-year guarantee against defects in manufacture. The guarantee requires that this product be used in the manner for which it was intended and that it is installed & maintained in accordance with the fitting instructions and local water bylaws. The guarantee covers products in domestic use only. The guarantee is invalidated should the mixer be damaged by water borne debris. Make sure that supply pipes are clear of any debris prior to installation, this is particularly important on new plumbing installations. In the unlikely event that this product should fail during the guarantee period we will either replace the faulty part or the complete unit as appropriate.



## BASIN, MINI BASIN & BIDET MIXER

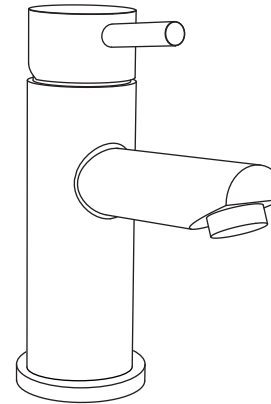
(with & without pop-up waste)

## Installation & aftercare instructions

Please retain for future reference

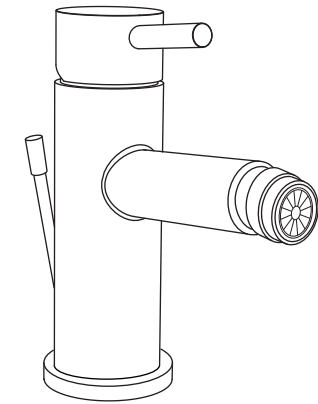
### STORM

T221002 / T221202



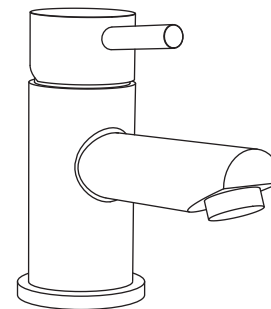
### STORM

T222002



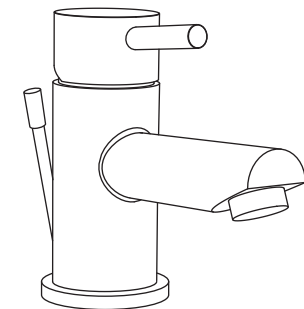
### STORM

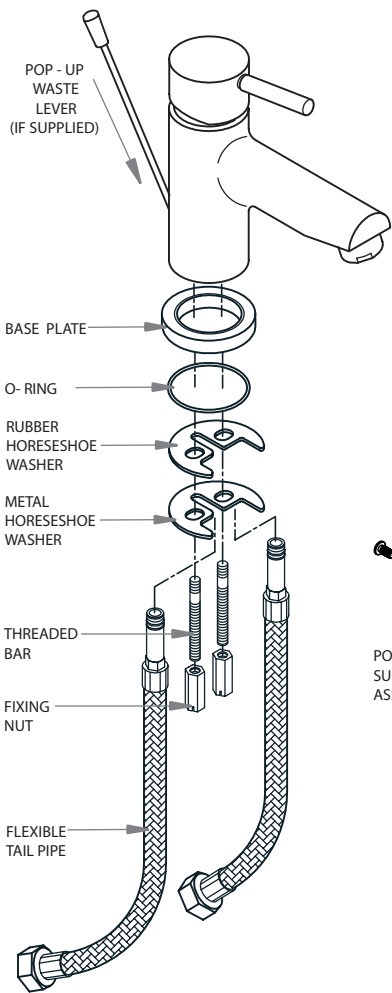
T226202



### STORM

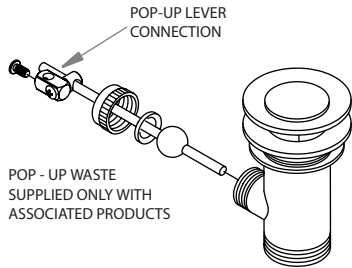
T226002





## INSTALLATION PROCEDURE

- 1) Prior to installation flush out the pipe work to remove debris & then ensure that the water supply is turned off.
- 2) Refer to diagram & check that all components are present.
- 3) Fit the flexible tail pipes to the basin / bidet mixer body using an appropriate spanner, making sure that you do not over tighten.
- 4) Attach the threaded bars (x2) supplied to the base of the mixer body. At one end of each of the threaded bars is a short threaded section followed by a short unthreaded section. This end should be attached to the tap until the stop in the thread is reached.



6) Fit the mixer body to the basin / bidet using the horseshoe washers & nuts supplied in the sequence indicated on the drawing DO NOT over-tighten as this may damage the basin / bidet. Remember to install the tap base plate between the body & the basin / bidet.

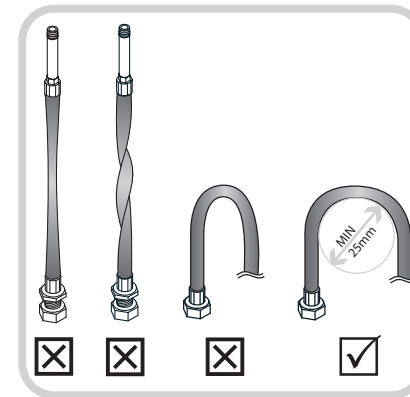
7) Connect the pop-up waste mechanism (if supplied) as indicated in the diagram. The pop-up rod connector should be adjusted to allow for a smooth operation. The base of the plug should also be adjusted to allow it to open sufficiently for waste water to escape. Do not adjust such that the waste sits too high in the open position as this may cause the mechanism to stick.

8) Connect the water supply to the flexible tails. Hot supply should always be connected to the left hand side.

9) Fully open mixer on both hot & cold sides & allow water to run for approximately one minute to further flush the system.

10) Check all connections for leaks.

## HOSE GUIDELINES



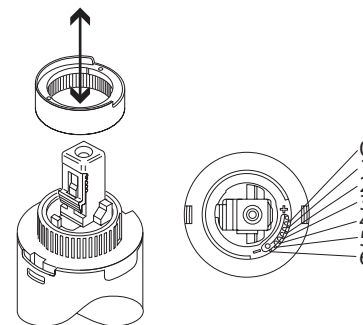
## FLOW & TEMPERATURE LIMITER

This mixer is fitted with a special cartridge that allows you to limit both the flow rate (should water pressure be too strong) & the hot water temperature (should temperature be dangerously high). The opportunity to limit the temperature is particularly useful if unsupervised young children are using this fitting.

Fittings are supplied with both limiters in the fully open position. Should you wish to limit either flow rate or temperature it is first necessary to remove the handle. This is done by loosening the handle grub screw using a allen key. Access the grub screw by removing the rubber bung in the handle. Adjustments to the flow limiter can now be made. To adjust the temperature limiter it is necessary to first unscrew the domed cover cap beneath the handle then the brass cartridge retaining nut (30mm spanner required). To make adjustments to the temperature limiter lift the purple cover on the cartridge and reposition it in the required limiting position. See diagram for reference.

Limiters position	0	1	2	3	4	5	6
Flow reduction	0%	5%	12%	25%			
Temperature reduction	0%	3%	10%	20%	30%	40%	50%

### Temperature limiter adjustment



### Flow limiter adjustment

