

Product code

**T171402 / T181402 / T191402 / T201402**

## Wall Spout Sign/Image/Code/Sync

Installation & aftercare instructions

Please retain for future reference

Code Model Shown for Illustration purposes

  
ROPER RHODES

**Customer Service**

Tel: 01225 303 900 Fax: 01225 448 877

Email: [sales@roperrhodes.co.uk](mailto:sales@roperrhodes.co.uk)

[www.roperrhodes.co.uk](http://www.roperrhodes.co.uk)

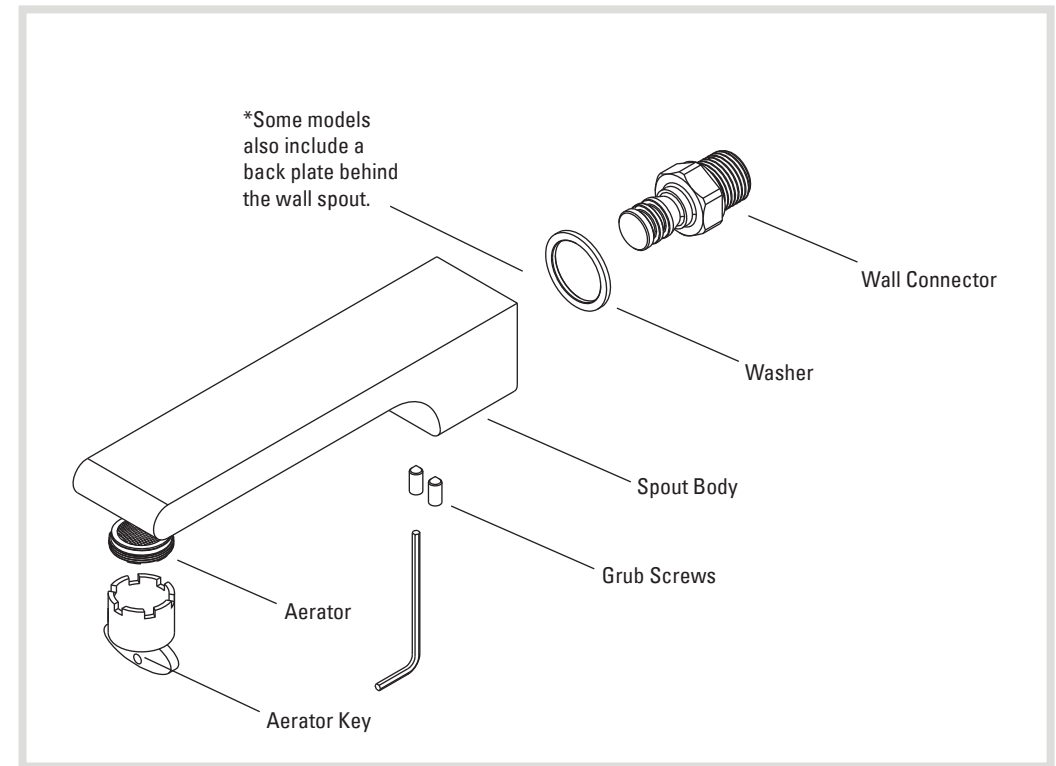
**Roper Rhodes Limited**

Brassmill Lane Trading Estate, Bath, BA1 3JF

## Installation Procedure:

Before installation commences ensure that the water supply is turned off.

1. The wall connector is supplied inside the wall spout . Note and mark the point that the wall connector protrudes from the wall spout body (and back plate if included). Remove the grub screws from the base of the spout body and carefully remove the wall connector. Some models have an extra washer that should be removed alongside the wall connector.
2. Plumb the wall connector into the concealed water supply using PTFE tape. The point on the wall connector marked in Step 1 should be positioned flush with the outside edge of the wall tiles / surface. Ensure that the two rubber washers are still attached to the opposite end of the wall connector as these form a water-tight seal inside the spout body.
3. Once the plumbing connections are made the spout body (plus back plate if provided) and any washers removed earlier can be pushed onto the wall connector and secured in place by re-inserting the grub screws into the spout body and tightening with a hex key.
4. When secure, the aerator can be removed using the supplied key and water flushed through the system to remove any dirt or debris from the system. After running water through the system for five minutes the aerator can be screwed back into place. It is advised that the aerator and system are periodically cleaned in this manner to prevent damage to the system throughout its use.



## Aftercare Instructions

Whilst this item has a high quality durable finish, it should nevertheless be treated with care. Surfaces should be cleaned using only a soft damp cloth and clean water & dried using a soft cotton cloth. Bath cleaning products, even non-scratch ones could damage the finished surface.

## 10-YEAR GUARANTEE

We have complete confidence in this Roper Rhodes product and as such it is offered with a 10-year guarantee against defects in manufacture. This product must be fitted by a competent installer. If in doubt seek advice from a qualified professional. The guarantee requires that this product be used in the manner for which it was intended and that it is installed & maintained in accordance with the fitting instructions and local water bylaws. The guarantee covers products in domestic use only. Always ensure this product is fully tested before concealing into the wall. On installation ensure that the spout and connected components can be removed or serviced in accordance with UK regulations. The guarantee is invalidated should the product be damaged by water borne debris. Make sure that supply pipes are clear of any debris prior to installation, this is particularly important on new plumbing installations. In the unlikely event that this product should fail during the guarantee period we will either replace the faulty part or the complete unit as appropriate. Proof of purchase will be required to validate any guarantee claims.