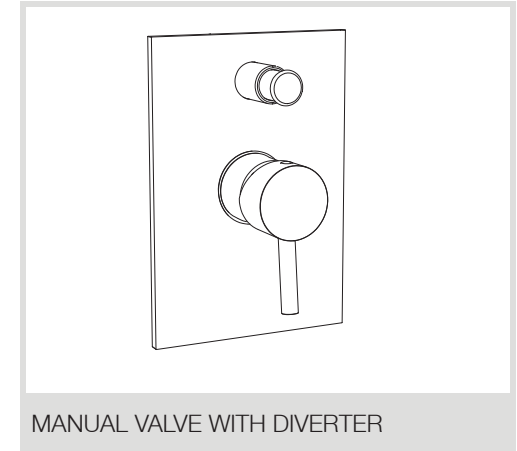
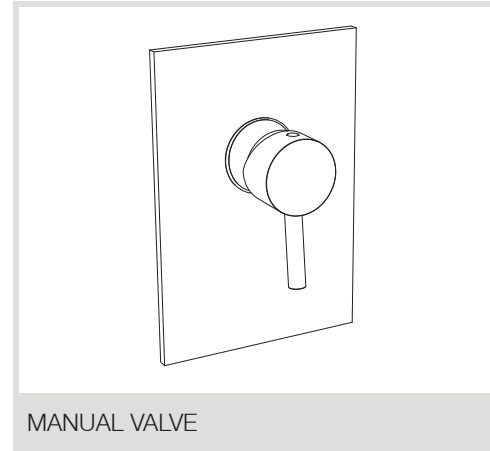


Note: Handle shown for illustration only, may vary depending on product chosen.
Valve functions remain the same



Customer Service
Tel: 01225 303 900 Fax: 01225 448 877
Email: sales@roperrhodes.co.uk
www.roperrhodes.co.uk

Roper Rhodes Limited
Brassmill Lane Trading Estate, Bath, BA1 3JF

Manual Valve / Manual Valve with Diverter

Installation & aftercare instructions

Please retain for future reference

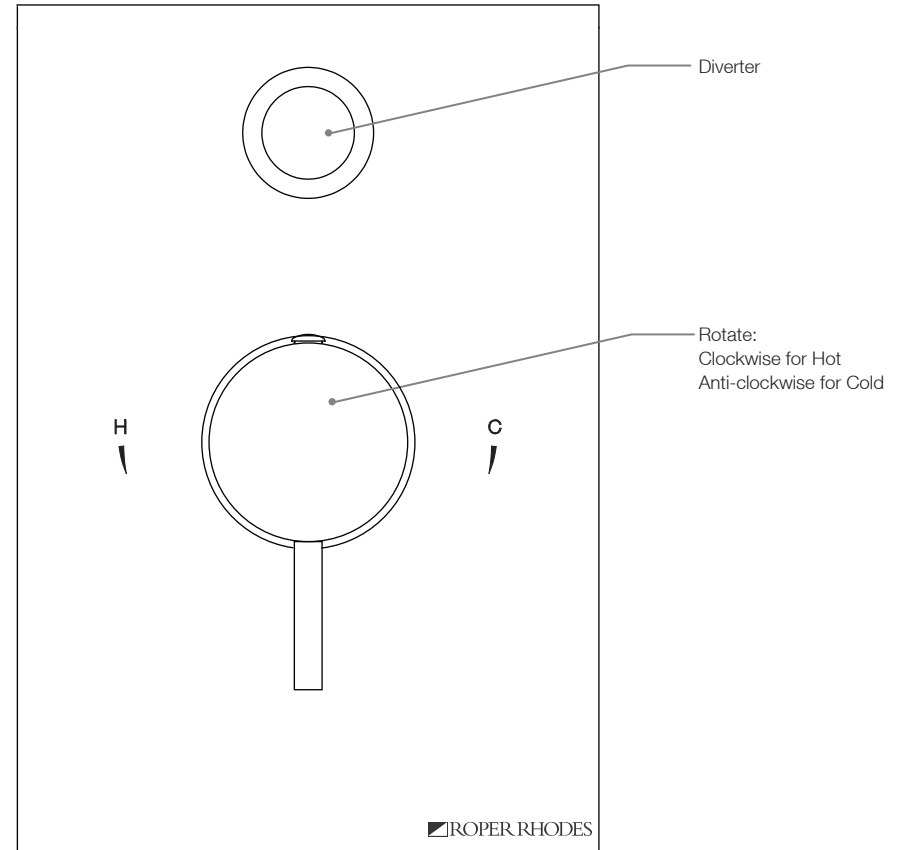
INTRODUCTION

This guide provides instruction for the installation operation and maintenance of your Roper Rhodes Manual Valve / Manual Valve with Diverter

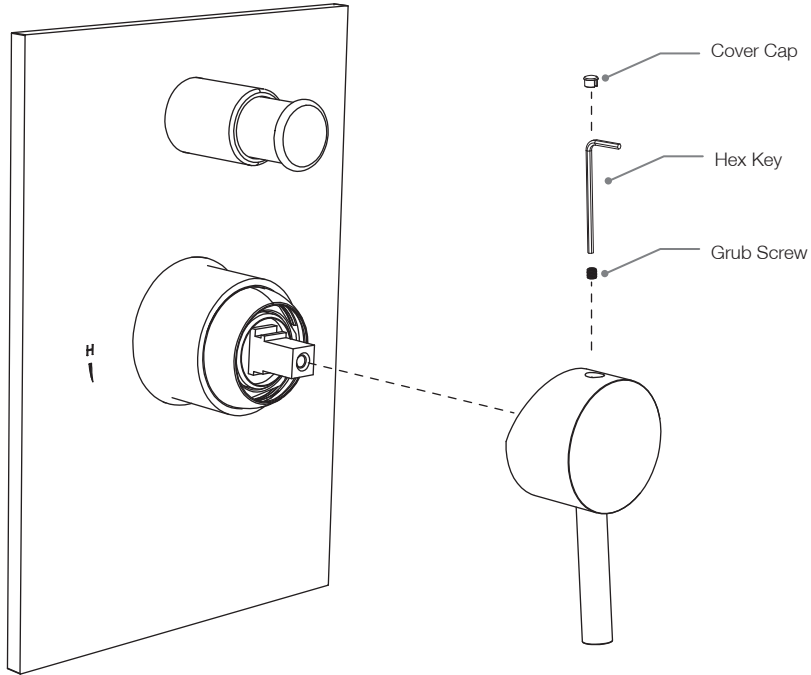
10-YEAR GUARANTEE

We have complete confidence in this Roper Rhodes product and as such it is offered with a 10-year guarantee against defects in manufacture. This valve must be fitted by a competent installer. If in doubt seek advice from a qualified professional. The guarantee requires that this product be used in the manner for which it was intended and that it is installed & maintained in accordance with the fitting instructions and local water bylaws. The guarantee covers products in domestic use only. Always ensure this product is fully tested before concealing valves into the wall. On installation ensure that the valve and valve inlet threads can be removed or serviced in accordance with UK regulations. The guarantee is invalidated should the valve be damaged by water borne debris. Make sure that supply pipes are clear of any debris prior to installation, this is particularly important on new plumbing installations. In the unlikely event that this product should fail during the guarantee period we will either replace the faulty part or the complete unit as appropriate. This guarantee excludes normal wear and tear. This guarantee covers failure of the thermostatic cartridge within the first 2 years of purchase only. Replacement cartridges are available to purchase by contacting the Roper Rhodes Customer Service team. Failure to follow the terms outlined above will invalidate this guarantee. Proof of purchase will be required to validate any guarantee claims.

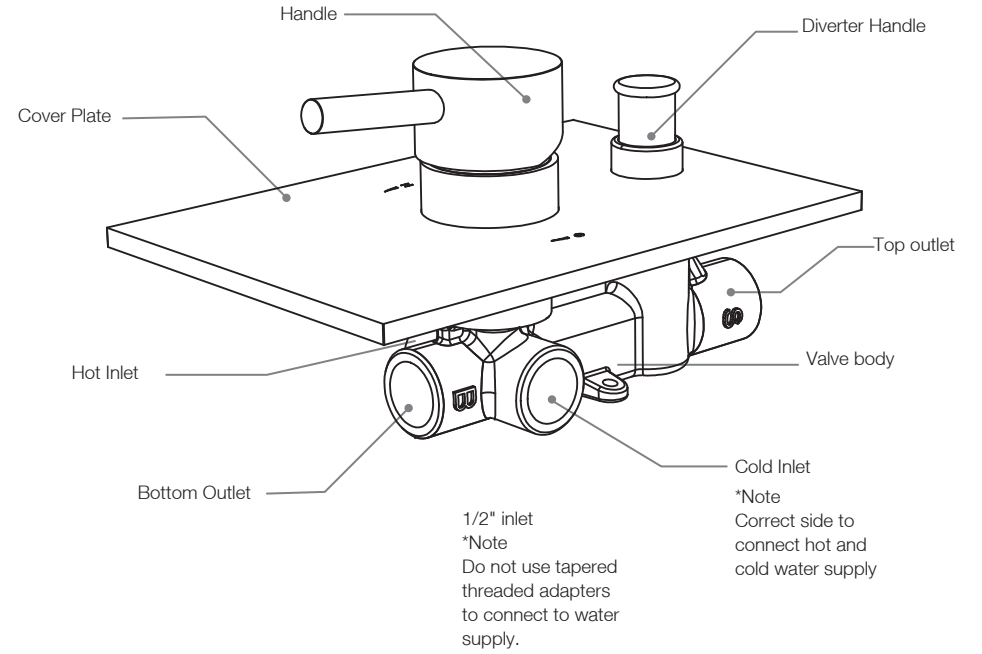
OPERATING



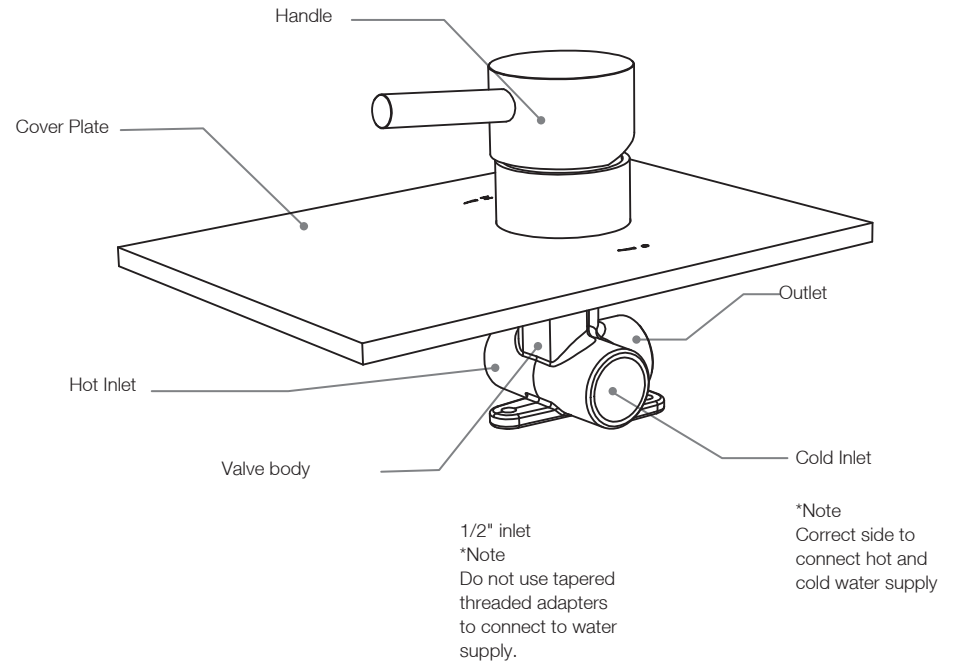
- Push the handle onto the valve spindle with the lever facing down - this is the off position. Secure using the supplied grub screw and insert the cover cap into the handle hole.



MANUAL VALVE WITH DIVERTER

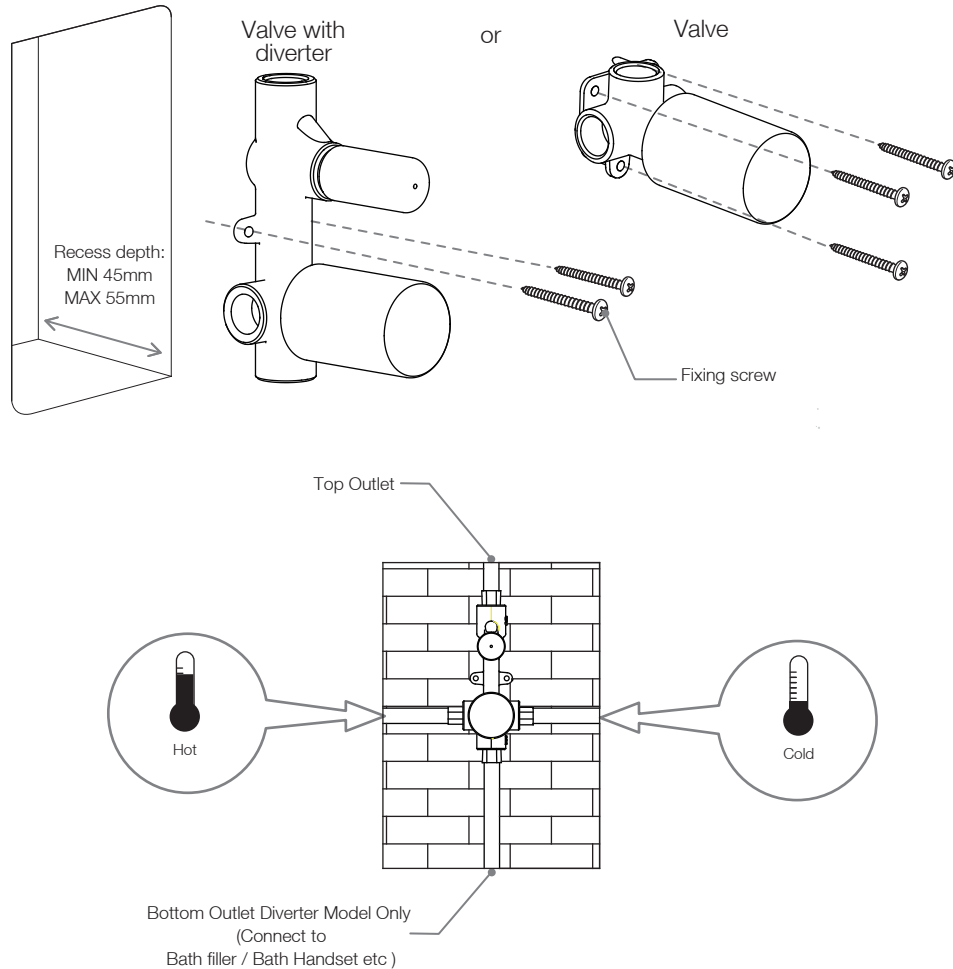


MANUAL VALVE



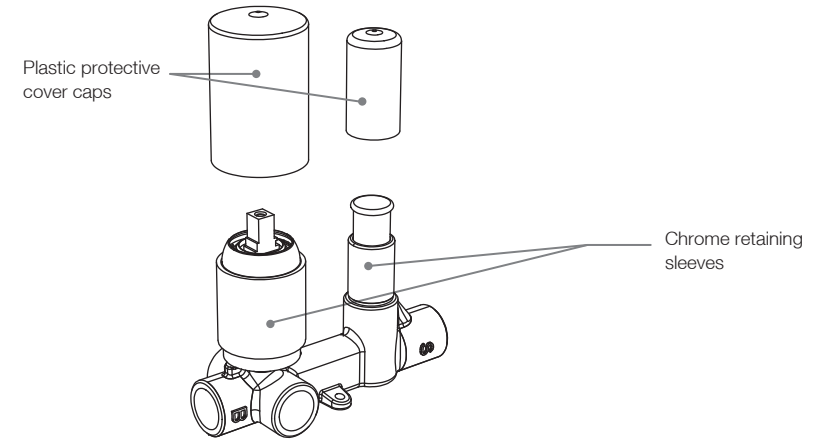
MOUNTING THE VALVE

1. Determine the mounting position for the valve.
2. Prepare the recess in the wall in which to mount the valve. Ensure the cover plate will hide the cut recess after installation of the valve. The depth of the recess for the valve should be: MIN 45mm, MAX 55mm including any tiled surface.
3. Mount the valve in the recess using the fixing lugs and supplied fixing screws to secure (see diagram below).
4. When the valve is securely mounted into the wall make the plumbing connections using PTFE tape. Inlets and outlets are all tapped 1/2" BSP. **IMPORTANT:** Do not use tapered threaded adaptors, this may damage the valve body.
5. Connect the top outlet to the valve outlet connection e.g. shower head and the bottom outlet (diverter model only) to the bath filler/ bath handset etc.
6. Most problems associated with the operation of valves are caused by debris in the new pipe work getting into the cartridge. These problems are easily avoided by thoroughly flushing the pipe work **BEFORE** the valve is fitted. Ensure the valve is fully tested and working before final fix of the cover plate and handle assembly.



ASSEMBLY OF COVER PLATE

7. The valve is supplied with plastic protection covers. These can be left in place to protect the valve until assembly of the plate and handles and final commissioning of the valve is required. At this time, remove the protection cover whilst keeping the chrome retaining sleeve(s) in place over the body.



8. Apply a small bead of silicone behind the front cover plate and slide over the body into position.

