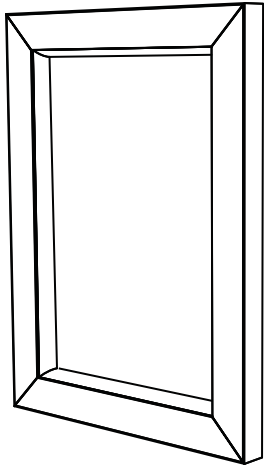
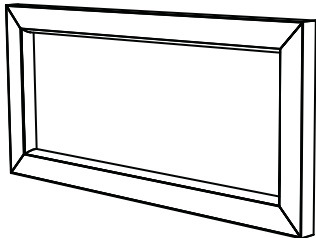


SENSE
MLB330



AFFINITY
MLB340



ELECTRICAL SAFETY INSTRUCTIONS (Applicable to UK Installations only)

All fittings must be installed by a competent person, in accordance with current IEE wiring regulations. If in doubt consult a qualified electrician

IMPORTANT

Always switch off the electrical supply at the mains during installation and maintenance. It is recommended that the fuse is withdrawn or the circuit breaker is switched off for the necessary circuit before installation commences.

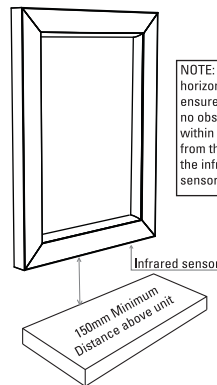
Fitting in Bathrooms is subject to the appropriate zone in accordance with IEE Regulations. This product is suitable for zone 2 and outside zones. IT IS NOT suitable for installation in Zone 0 or Zone 1. It is also not suitable for installation in saunas, steam rooms or shower cubicles. This product is only suitable for permanent installation. DO NOT connect to a trailing plug and socket outlet. Although this product has an Ingress Protection rating of IP44 it is only suitable for indoor use. Do not attach the product to surfaces that are damp or otherwise electrically conductive.

INSTALLATION CARE & SAFETY

Wear suitable eye protection when drilling. Take care when using power tools near water - the use of a residual current device (RCD) is advised. Beware of hidden cables or pipes. Take care if drilling on tiled surfaces in case the drill slips. A piece of masking tape applied to the wall before marking out the fixing holes will stop the drill from wandering.

IMPORTANT

The product must be installed with a minimum distance of 150mm between the infrared sensor and an adjacent wall or obstruction to ensure correct function of the sensor (see diagram below).



DO NOT strike glass components with hard or pointed items. DO NOT place very hot or very cold items against or in close proximity to glass surfaces unless an adequately thick insulation material is used to prevent such items coming in contact with the glass.

The nominal thickness of the mirror glass used in this product is 5mm (3mm frame) and is film backed for safety. If the glass becomes chipped or broken replace immediately.

This product should be positioned well away from curtains and other fabrics. Never cover the mirror. This product is heated, we recommend that it is turned off after use and should never be left on for prolonged periods of time

This product could be dangerous and is only to be installed by a competent person.

CLEANING

It is recommended that the unit is cleaned with a soft, dry, non abrasive cloth when turned off. Never use cleaning agents or abrasive materials on any type of surface finish. Do not allow moisture to come into contact with the electrical components.

COMPLIANCE

This product complies with all relevant British and European safety standards:

WIRING

This product is manufactured to class I category and must have an earth connection.⊕

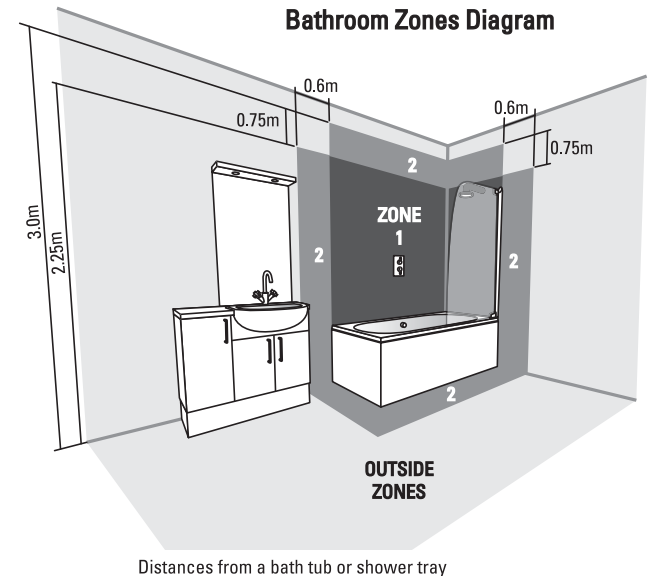
COLOUR CODING:

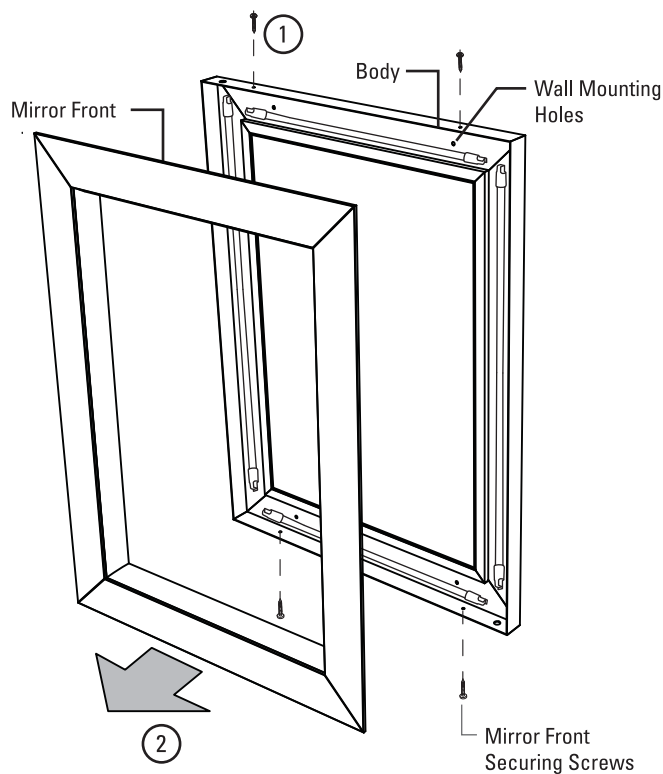
- L - Live = Brown
- N - Neutral = Blue
- ⊕ - Earth = Green & Yellow

LAMPS

SENSE = 2 x T4 12W & 2 x T4 22W
 AFFINITY = 2 x T4 28W & 2 x T4 12W

Always ensure the correct bulb is used and that the maximum bulb rating is not exceeded.



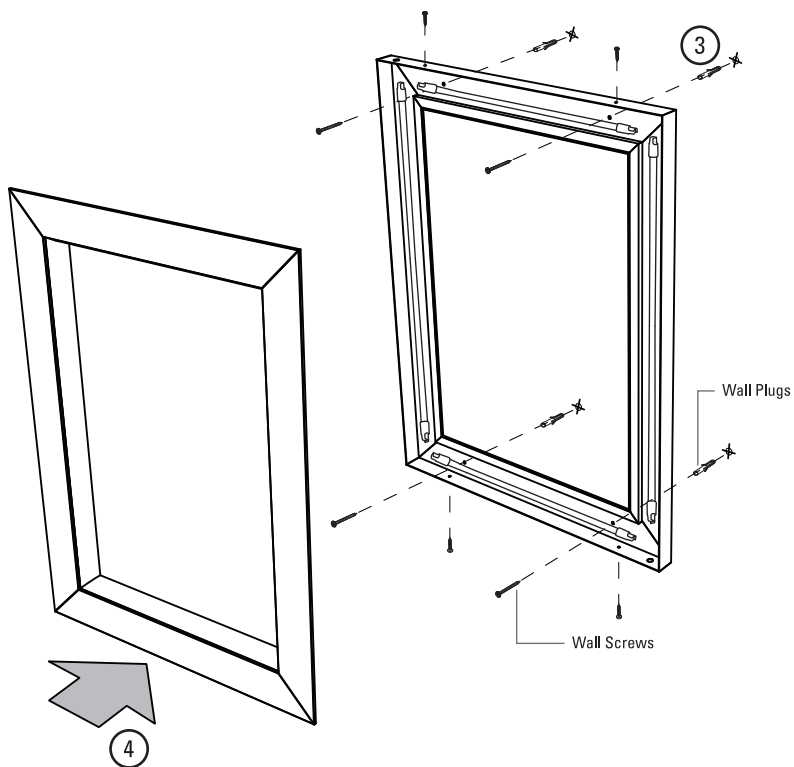


INSTALLATION PROCEDURE

The wall surface must be of suitable strength and construction.

- 1) Firstly remove the mirror front securing screws from the top and bottom profiles (step 1). Ensure the screws are kept in a safe place once removed.
- 2) Gently pull out the mirror front from the body (step 2). Be very careful not to twist or bend the frame as this could damage the glass.
- 3) Offer the mirror body up to the wall in either a horizontal or vertical position. Ensure the mirror body is level using a spirit level.
- 4) Mark the 4 wall mounting hole positions with a pencil, also mark where electrical connection will be made, then drill and fit the wall plugs.

IMPORTANT. There is no recess for loose cable at the back of the mirror. The wall will need to be chased out locally to allow for excess cable.



NOTE: The wall plugs supplied are only suitable for solid stone / brick walls. For plasterboard walls use specialist wall plugs.

- 5) The next step is to make the electrical connection from the mirror to the mains supply. Use the trailing wire found at the rear of the mirror to make the necessary connections in accordance with the current IEE regulations. A second person will need to hold the mirror in place whilst electrical connections are made.

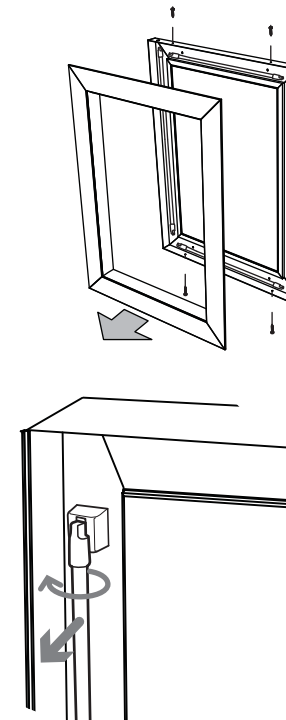
THIS PRODUCT IS MANUFACTURED TO CLASS I CATEGORY AND MUST HAVE AN EARTH CONNECTION.

Colour Coding:
 L - Live = Brown
 N - Neutral = Blue
 ⊕ - Earth = Green & Yellow

Strip wires to a suitable length. DO NOT connect to a plug & socket outlet.

! IF IN DOUBT CONSULT YOUR ELECTRICIAN !

REPLACING BULBS



- 6) Screw the body into the wall plugs using the screws supplied.

- 7) Slide the mirror frame back into the body (step 4) and replace the mirror front securing screws (removed in step 1).

MAINTENANCE

If a fluorescent lamp fails please contact the Roper Rhodes sales office using the contact details at the bottom of this page, stating the mirror model and product code (codes on opposite side of the page). Once you have obtained a spare it is necessary to turn off the mains electricity supply then remove the mirror frame from the body by following step 1 and step 2 in the Installation Procedure. With the mirror frame removed, gently turn the lamp 90° and remove it from the socket. Do not apply pressure to the lamp. Take care as the lamps are fragile. Replace the new lamp by slotting into location twist again until secure. Other spare parts are also available for these mirrors, please contact the Roper Rhodes sales office for details.