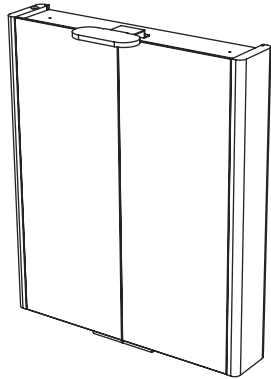


## DEFINITION GLOSS WHITE CABINETS

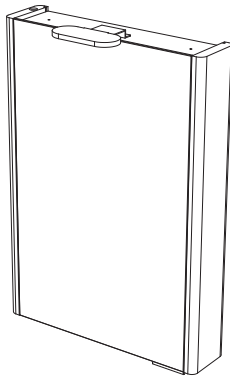
### Installation & aftercare instructions

Please retain for future reference

ENTITY  
DN60W (without electrics) | DN60WL



PHASE  
DN50W (without electrics) | DN50WL



#### ELECTRICAL SAFETY INSTRUCTIONS (Applicable to UK Installations only)

All fittings must be installed by a competent person, in accordance with current IEE wiring regulations. If in doubt consult a qualified electrician.

#### IMPORTANT

Always switch off the electrical supply at the mains during installation and maintenance. It is recommended that the fuse is withdrawn or the circuit breaker is switched off for the necessary circuit before installation commences.

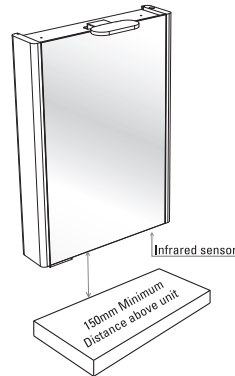
Fitting in Bathrooms is subject to the appropriate zone in accordance with IEE Regulations. This product is suitable for outside zones. It IS NOT suitable for installation in Zone 0, Zone 1 or Zone 2. It is also not suitable for installation in saunas, steam rooms or shower cubicles. This product is only suitable for permanent installation. DO NOT connect to a trailing plug and socket outlet. This product is only suitable for indoor use. Do not attach the product to surfaces that are damp or otherwise electrically conductive.

#### INSTALLATION CARE & SAFETY

Wear suitable eye protection when drilling. Take care when using power tools near water - the use of a residual current device (RCD) is advised. Beware of hidden cables or pipes. Take care if drilling on tiled surfaces in case the drill slips. A piece of masking tape applied to the wall before marking out the fixing holes will stop the drill from wandering.

#### IMPORTANT

The product must be installed with a minimum distance of 150mm between the infrared sensor and an adjacent wall or obstruction to ensure correct function of the sensor (see diagram below).



DO NOT strike glass components with hard or pointed items. DO NOT place very hot or very cold items against or in close proximity to glass surfaces unless an adequately thick insulation material is used to prevent such items coming in contact with the glass.

The nominal thickness of the mirror glass used in this product is 6mm and is film backed for safety. If the glass becomes chipped or broken replace immediately. For replacement glass and other components contact customer services at the address below.

#### CLEANING

It is recommended that the unit is cleaned with a soft, dry, non abrasive cloth when turned off. Never use cleaning agents or abrasive materials on any type of surface finish. Do not allow moisture to come into contact with the electrical components.

#### COMPLIANCE

This product complies with the following safety standards:  
BS EN 60598-1: 2004, EN 60598-2-1: 1989, BS EN 60598-2-2: 1997 & Amd 1. BS 7449: (1991), BS EN 14749: (2005).

#### WIRING

This product is manufactured to class II category and does not require an earth connection.

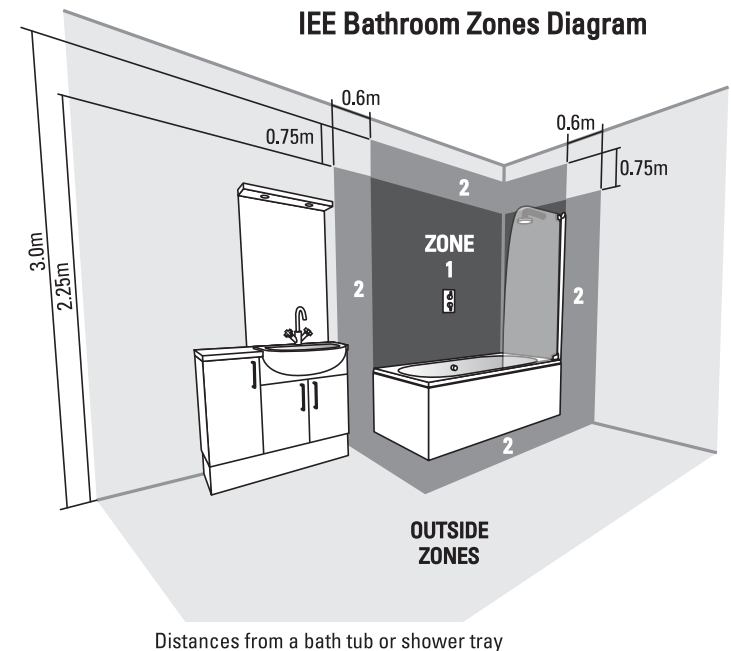


#### COLOUR CODING:

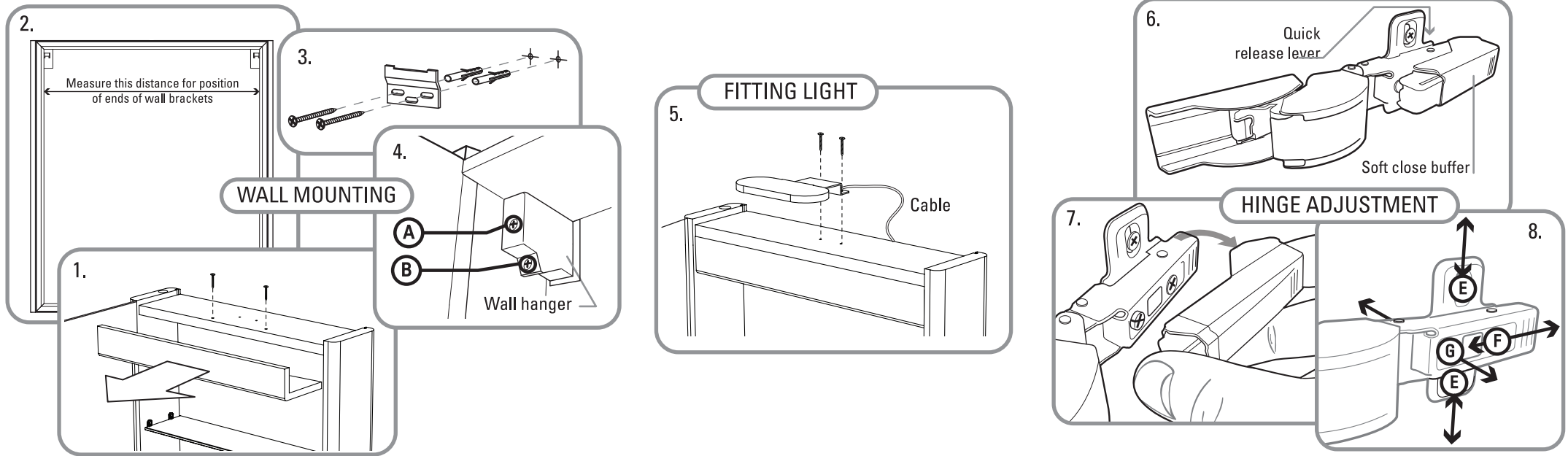
L - Live = Brown  
N - Neutral = Blue  
⊕ - Earth = Green & Yellow

#### LIGHTS

1x 9v LED light fitting (contact customer service for information)



Distances from a bath tub or shower tray



**INSTALLATION PROCEDURE**

Caution: Before drilling check for hidden power cables and pipes. Take care using power tools, especially near water. The use of a residual current device (RCD) is recommended.

Remove the packaging taking special care with the doors and glass shelves.

- 1) It is necessary to remove the internal cover. First remove the two plastic screw cover caps then remove the two screws from the top panel and gently slide out the cover (see diagram 1). If the screws are fully removed take care not to lose them.
- 2) Using a spirit level, mark off a horizontal line approximately 40mm below where the top of the cabinet is to be. Position the bracket hole centres so that they are centred on the line, and ensure that the ends of the brackets are spaced to the width between the inner edges of the side panels (see illustration). Mark off the holes using a pencil.
- 3) Note: Wall plugs supplied are only suitable for solid stone / brick walls. For plasterboard walls use specialist wall plugs, available from DIY or hardware stores. Seek advice from a specialist about the suitability of fixings to be used. Drill the required holes and insert wall plugs.

4) Screw the brackets to the wall using the screws provided. Please ensure the screws are fully tight but take care not to overtighten. Two screws must be used in each bracket. (see diagram 3)

**FOR CABINETS WITH LIGHT FITTINGS FOLLOW STEPS 5 & 6**

This cabinet is manufactured to CLASS 2 and does not require an earth connection.

5) Before making any electrical connections (or performing any maintenance) it is necessary to turn off the mains electricity supply. This unit is provided with a supply cable already fitted. This cable should be fitted to the household lighting circuit or to a fused 3 AMP supply. Connections should be made in accordance with the latest IEE regulations. This cabinet is manufactured to CLASS II and does not require an earth connection.

6) Remove the light from its packaging and screw to the top of the cabinet (see diagram 5). Connect the cable from the light to the cable coming from the back of the cabinet. Any excess cable can be pushed back into the cabinet.

7) Now hang the cabinet on the wall brackets, the claws on the cabinet brackets must be securely located on the wall brackets. Using a spirit level adjust the angle of the cabinet by turning the bottom screw (screw B, diagram 4) with a cross head screwdriver. When the

angle is properly adjusted it is necessary to secure the cabinet to the wall by tightening the top screw (screw A, diagram 4), the cabinet should not be left unattended until it is fully secure.

8) When the cabinet is fully secure the internal top cover should be replaced and secured in position using the two screws removed earlier (diagram 1), ensure they are fully tight but take care not to overtighten. It is now possible to turn the mains power on and check the function of the LED lights and the shaver socket. If the LED lighting fails to function properly it's likely the IR sensor has been positioned too close to an adjacent wall or reflective surface.

9) If the doors are out of alignment first remove the soft-close buffer (from the upper hinges) which clips into the main hinge plate. The soft-close hinges offer adjustment in 3 directions via adjustment screws E,F and G (see diagram).

10) With the cabinet height and level adjusted mark position of the back panel fixing hole. Remove the cabinet and drill a hole in the marked position then insert the wall plug. Re hang the cabinet on the wall brackets and finally insert the back panel fixing screw along with the cover cap supplied.