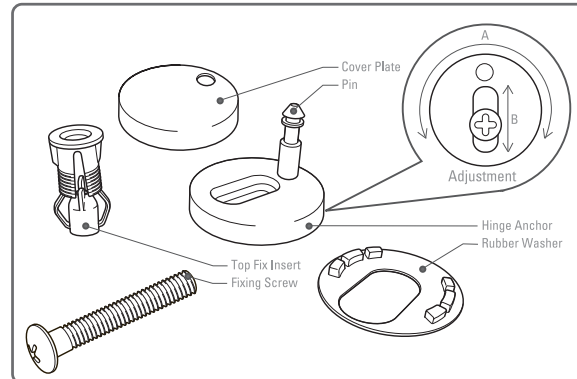
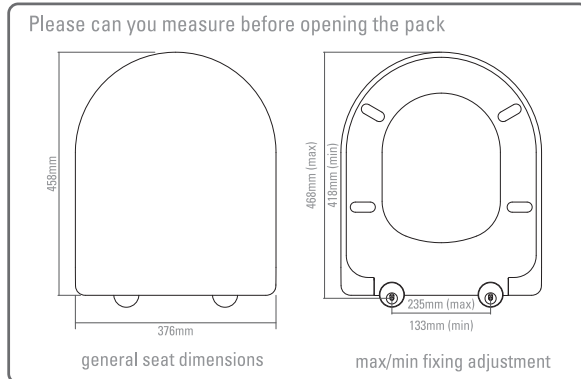


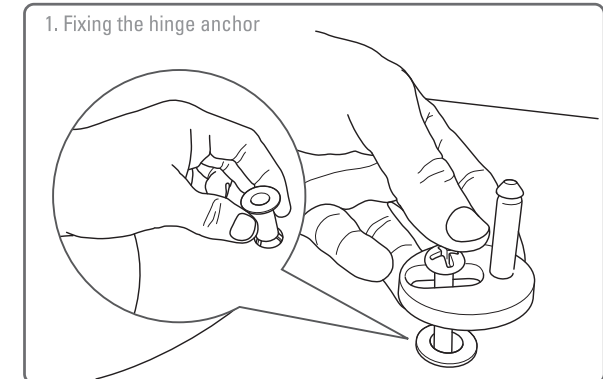
### FITTING INSTRUCTIONS

Please read carefully before attempting to fit the seat. If you are not the end user, please make sure the aftercare instructions are made available for the end user to read.

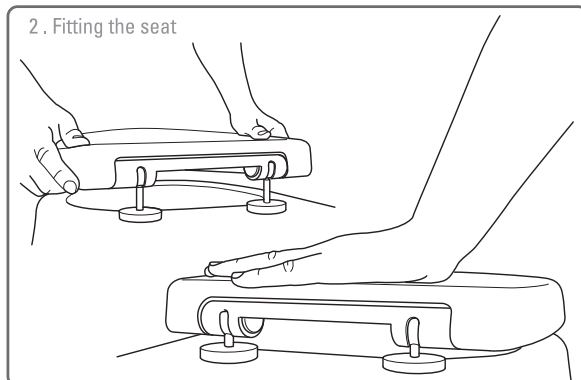
#### DOES IT FIT?



Maximum adjustment of the pin position is achieved by rotating the hinge anchor around the screw (adjustment A in the parts diagram above). Further fine adjustment of the pin position can be achieved by sliding the screw in the adjustment plate (adjustment B).

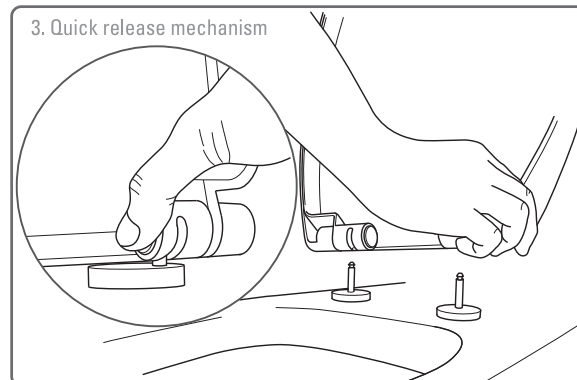


Place the Top Fix Inserts into the fixing holes in the toilet pan. Insert the screws within the Hinge Anchors as shown and begin to tighten the screws until they are loosely secured, to allow for adjustment of the seat on the pan.







Align and insert the pins into the seat hinge sockets and firmly press down until you hear them 'click' into position.

Adjust the hinge anchors to make sure the seat lines up with the edges of the toilet pan. When you are satisfied the seat is in the correct position, remove the seat from the hinge anchors (see step 3) and fully tighten the screw in the Top Fix Insert (shown in step 1). Place the Cover Plates over the Hinge Anchors. Replace the seat and click into position.



This toilet seat is designed for quick and easy removal when cleaning the toilet pan. To activate the quick release lift the lid, seat up and press the button in the centre of the hinges and lift. To replace the seat align the sockets with the pins and firmly press into position.

### AFTERCARE INSTRUCTIONS

-  Clean surfaces with a soft damp cloth and mild soap solution
-  Do not scrub or scour
-  Do not use abrasive cleaning agents
-  Do not stand on the lid or ring of your toilet seat