

General Care & Safety

Wall plugs supplied are ONLY suitable for solid stone/brick walls. They are not suitable for use in aerated blocks or similar. If fixing to a stud wall, sufficient extra internal reinforcements must be made to the wall. Screws must locate into suitably reinforced studs and noggins.

Take care using power tools – The use of a residual current device (RCD) is recommended. Beware of hidden cables or pipes when drilling.

This product can be dangerous if installed incorrectly. This product must be installed by a qualified plumber or installer. It is the installer's responsibility to check that the fixings are suitable for the installation in hand.

Cistern fittings are suitable for Water pressure: 0.2 - 10 bar. Do not add caustic chemical substances (e.g. containing chlorine compounds or similar) into the cistern. These can damage the valve components and cause failure.

Before starting to enclose the cistern, the system must be first tested for leaks before 2nd fix commences. Temporarily fix the back to wall pan in place and make connections. Turn the water supply on and flush the pan to check for leaks. This is particularly important to do prior to tiling for fully tiled in installations

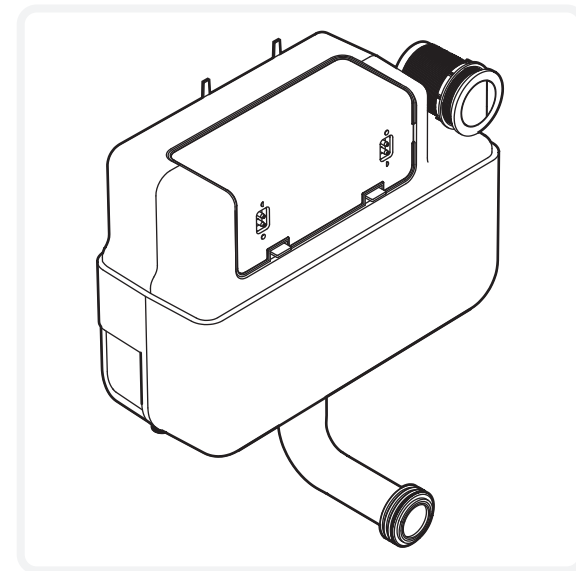
This cistern is not suitable for use with wall hung pans without the use of a suitable supporting frame.

Comfort Height Cistern

Fitting Instructions

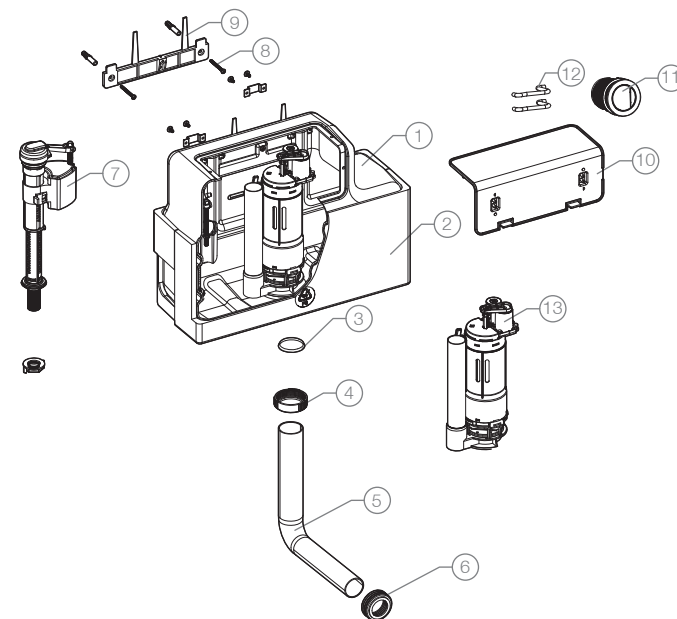
Please retain for future reference

△ TR9008 / VCHC820



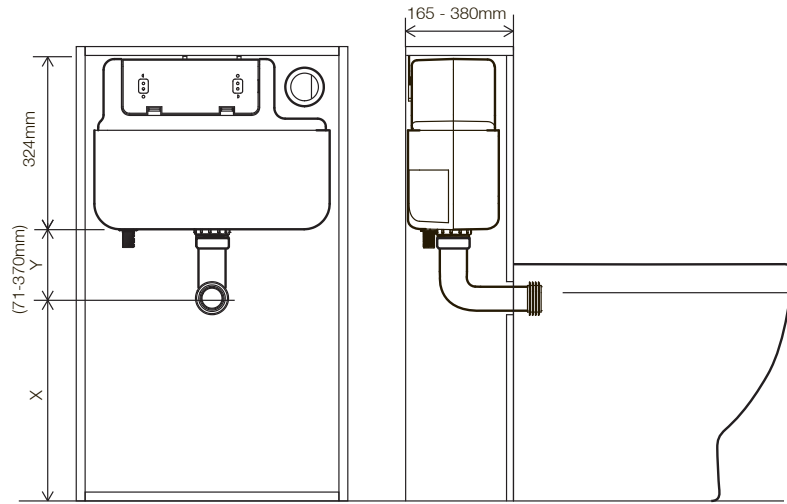
This product must be installed by a qualified fitter or plumber in accordance with and meet the requirements of the Water Supply (Water Fittings) Regulations 1999 and Scottish Byelaws 2004

Parts Included

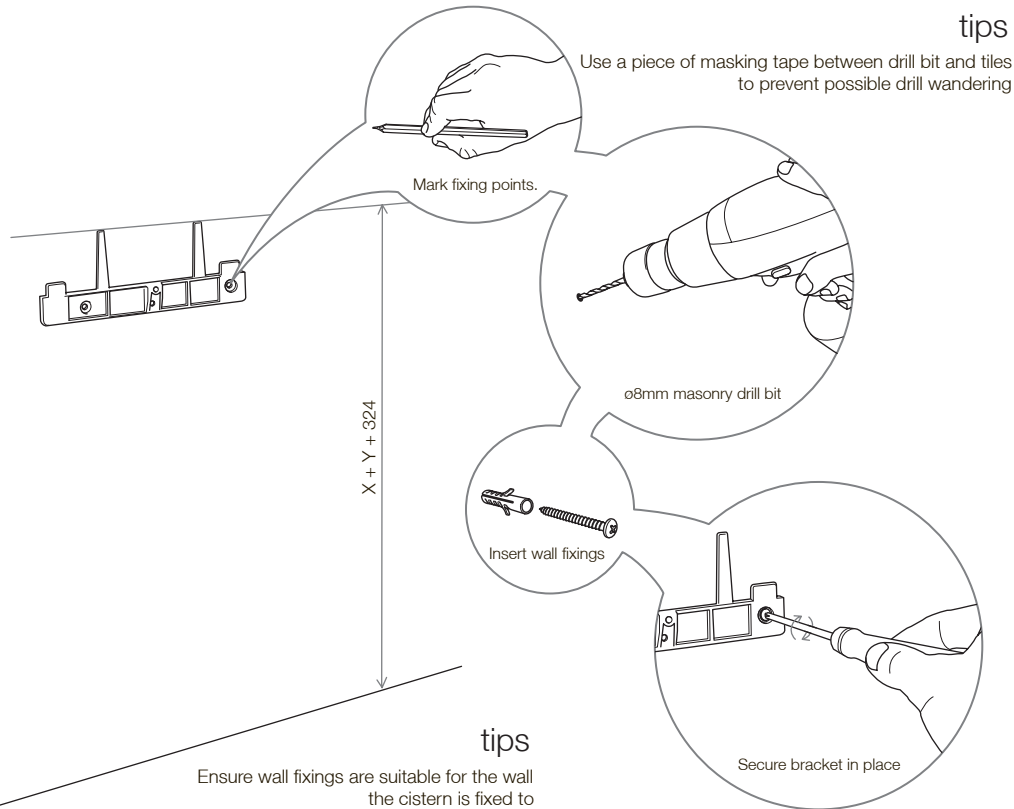


1. Cistern
2. EPS Jacket
3. Conical Seal
4. Flush Bend Nut
5. Flush Pipe
6. Rubber Pan Seal
7. Bottom Entry Fill Valve
8. 2 x Attaching Screws
9. Mounting Bracket
10. Cistern Cover
11. Pneumatic Push-button
12. Air Hoses
13. Flush Valve

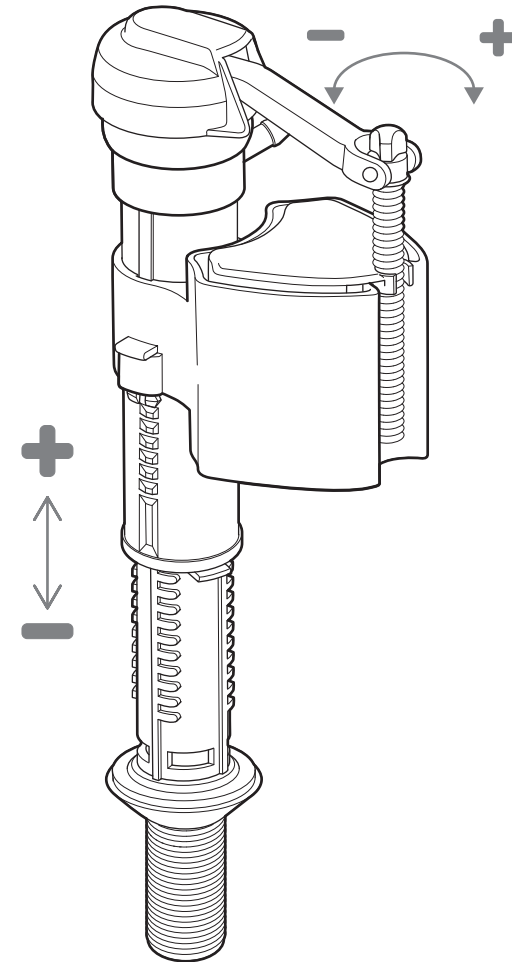
Fitting Dimensions



Installation Of The Cistern

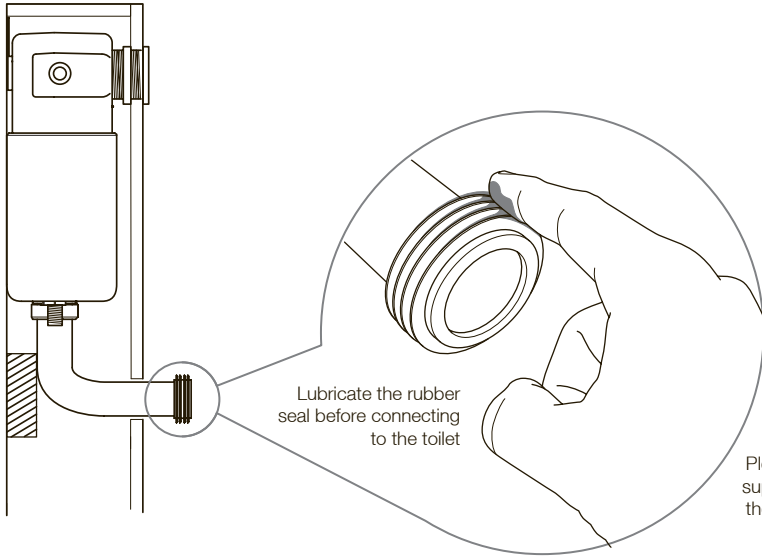


Adjusting The Water Level



By adjusting the fill valve the water level can either be increased or decreased accordingly

Fixing The Toilet



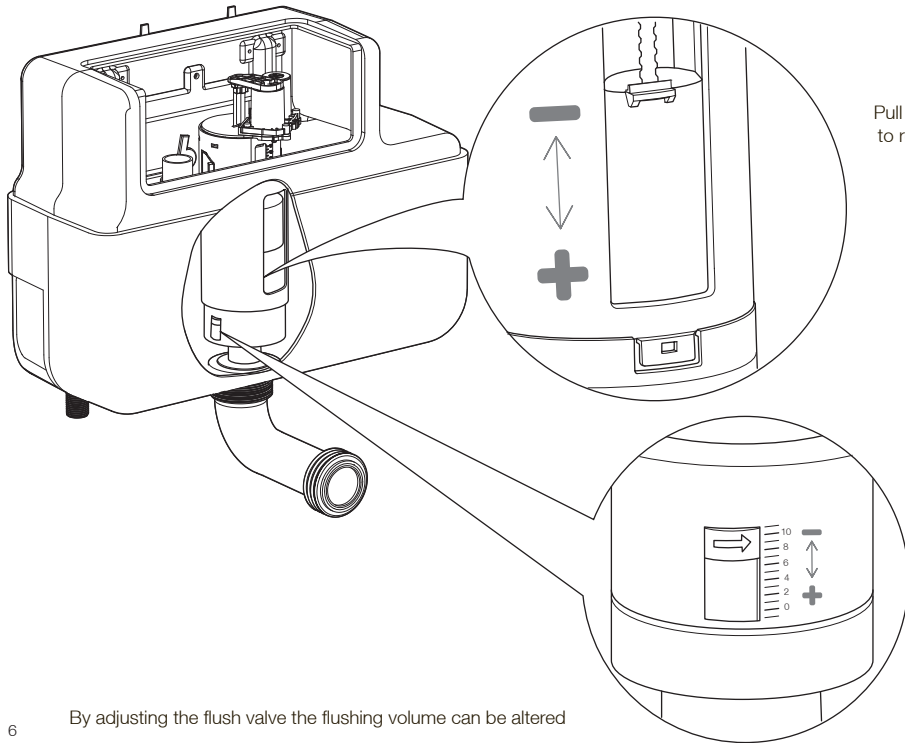
Lubricate the rubber seal before connecting to the toilet

note
Lubricant not supplied. Please use a suitable plumber's lubricant.

important
Great care must be taken when fixing the toilet. Careful cutting of the pipe and alignment are very important to ensure no leaks occur.

important
Please brace the flush pipe in order to support it when locating the toilet onto the rubber seal. Failure to do so could result in damage to the flush connection

Adjusting The Flush Volume



note
Pull tab at top of float to release and adjust

By adjusting the flush valve the flushing volume can be altered



Remove cistern cover

Slide the cistern on to the wall bracket

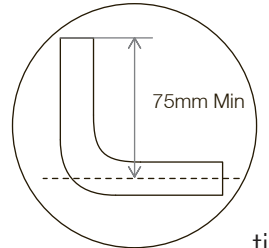
Secure to the wall bracket with the screw provided

tip

If necessary, due to the unit construction, it may be advised to add a block of wood at the base of the cistern to ensure it sits vertically.

important

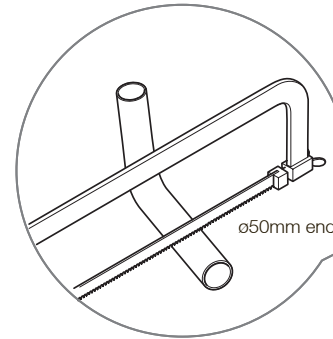
Do not tighten the flush valve fixing nut. It has been factory set and tank water tested.



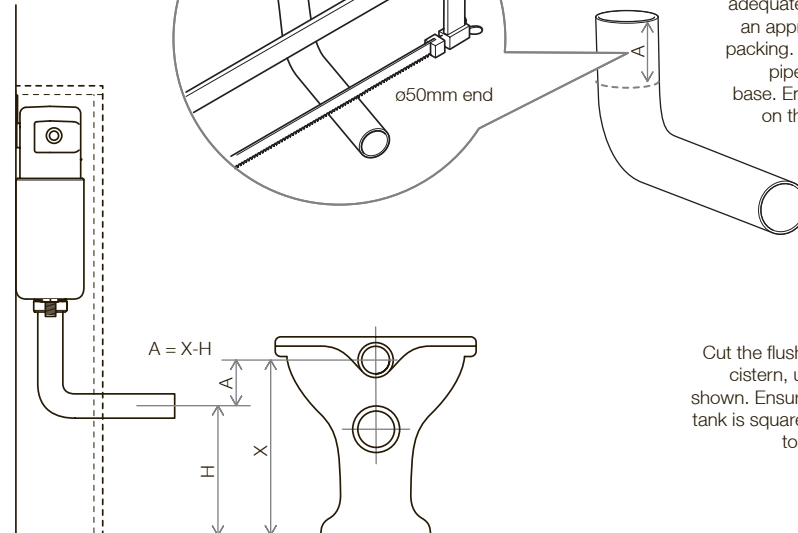
75mm Min

tips

It is recommended that the flush bend be adequately braced against the wall using an appropriate pipe bracket or wooden packing. Place the conical washer on the pipe before inserting into flush valve base. Ensure there is no tension / stress on the connection to the tank as this could cause the fittings to leak.

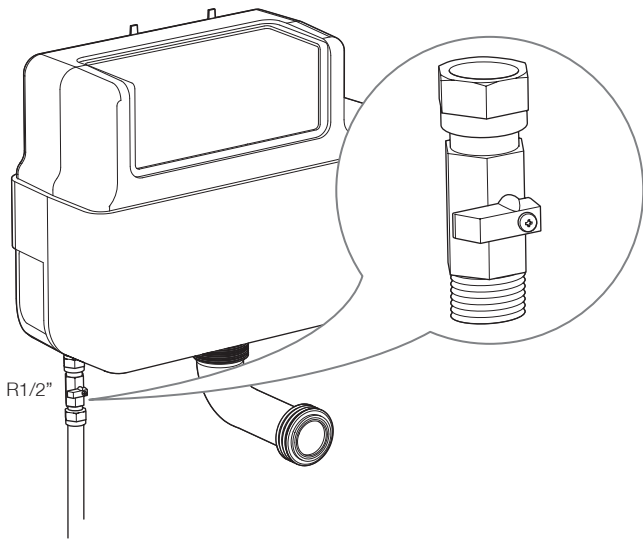


ø50mm end



$A = X - H$

Cut the flush bend to size and attach to the cistern, using the appropriate fittings, as shown. Ensure alignment to pan from cistern tank is square both vertically and horizontally to allow seal to function correctly.

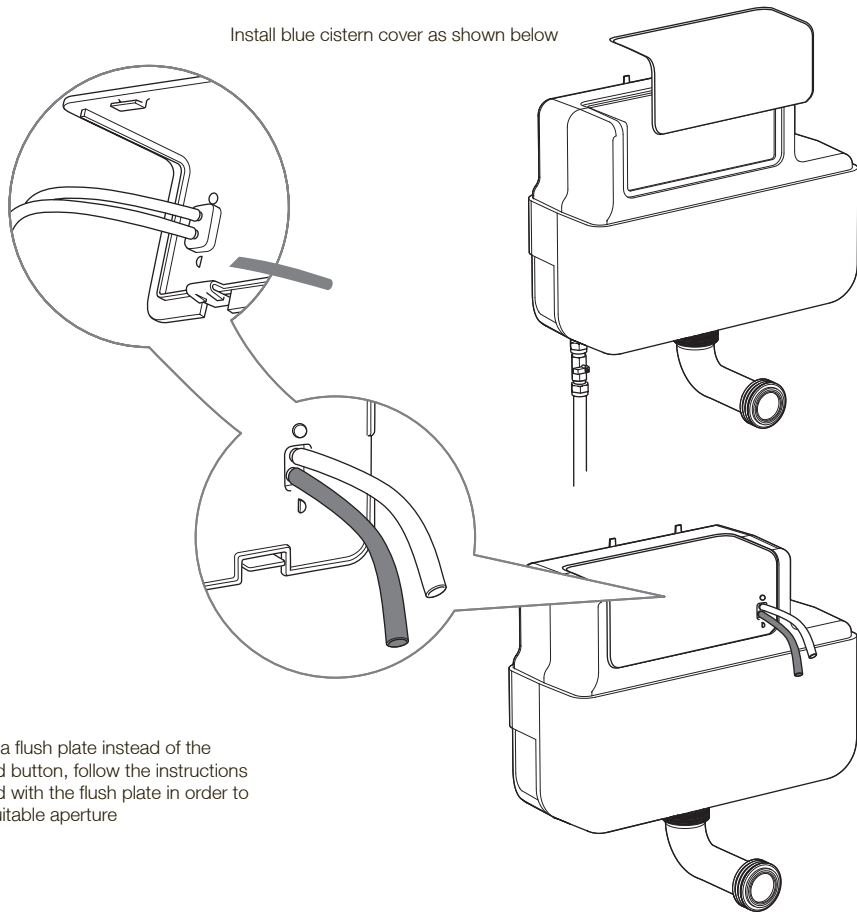


note
Stop valve not included

Connect the water supply to the cistern using an approved double check valve to fluid category 3 in addition to an accessible service valve.

Installation With A Front Access Fascia

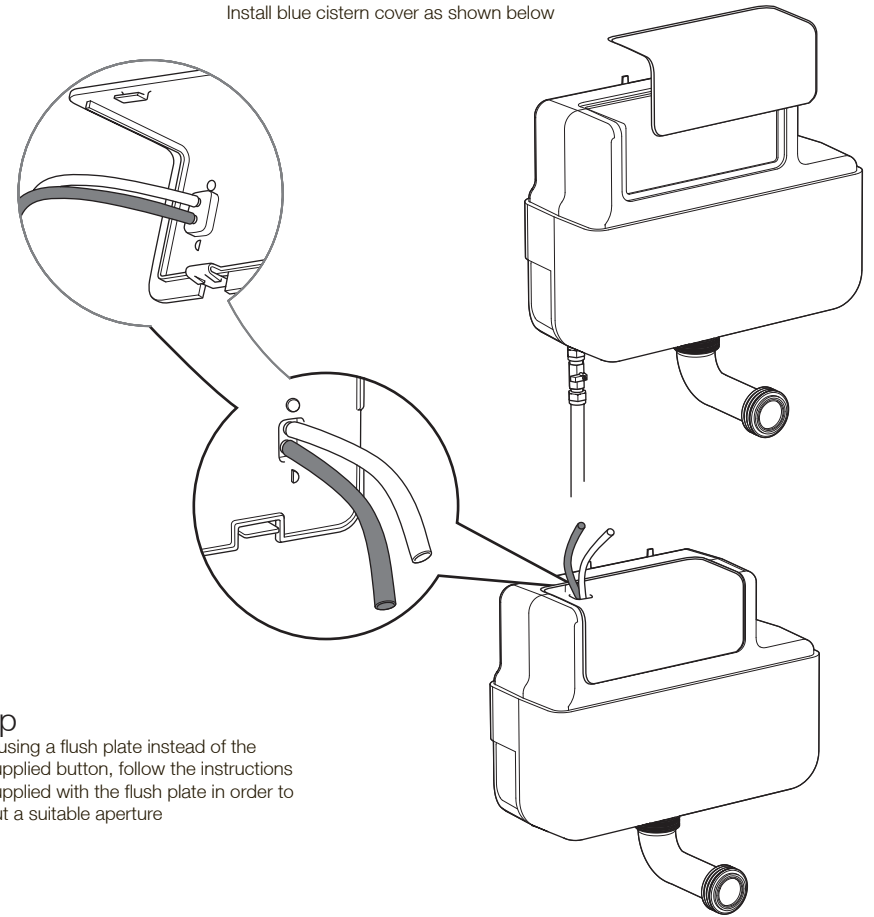
Install blue cistern cover as shown below



tip
If using a flush plate instead of the supplied button, follow the instructions supplied with the flush plate in order to cut a suitable aperture

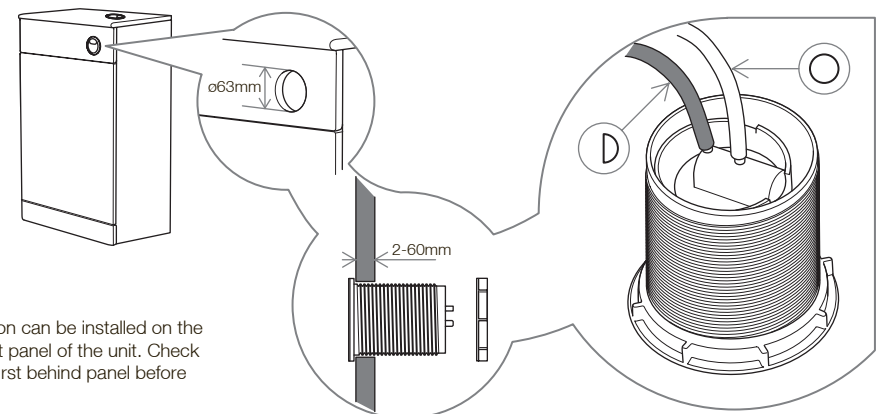
Installation With A Top Access Fascia

Install blue cistern cover as shown below



tip
If using a flush plate instead of the supplied button, follow the instructions supplied with the flush plate in order to cut a suitable aperture

Installation Of Pneumatic Push-button



tip
The push button can be installed on the top of the front panel of the unit. Check for clearance first behind panel before cutting.