

Two Door Quadrant

Instruction Manual

V8Q



IMPORTANT INFORMATION

- Toughened glass is completely safe for use in our shower enclosures and bath screens; providing our products are installed according to our guidelines.
- It is important to note that the glass must not be mounted or 'pinched' in such a way that would cause a stress point to develop in the glass. In addition, it must not be subject to any sharp impact or severe temperature fluctuation which may also cause a stress point to develop in the glass.
- Toughened glass is physically and thermally significantly stronger than standard glass. During the toughening process the stresses contained within any glass are balanced so if in the unlikely event situation any of the above occurs and the glass breaks, the glass will shatter safely into small thumbnail sized blunt fragments.

PRE-INSTALLATION CHECKS

1. Check you have the correct product. Please look at the labels on the side of the product packaging.
2. Check all the product components are in the box and the fixing kits.
3. Unpack your product and handle it with care.
4. Please check the product for defects or damage, once the installation has commenced we cannot accept responsibility for any defects or damage.
5. Please take time to read these instructions prior to installing your product.
6. Before you commence any drilling check there are no hidden electrical cables and/or water pipes.
7. No attempt should be made to re-work the toughened safety glass.
8. The installation of the product should be performed by two persons.
9. It is strongly recommended that the walls the product is going to be installed on are vertical.
10. It is strongly recommended the product is fitted on a tiled surface or similar waterproof surface.
11. It is strongly recommended the walls are tiled and grouted before the product is installed.
12. If the walls and/or the tray are not level you will not achieve maximum adjustment of the product.
13. Pictures used are for illustration purposes only, product designs may alter slightly as a result of continuing product development.
14. We do not stipulate where the European Standard Kite Mark should be positioned on the glass when being factory assembled.
15. Please note that some natural misting may occur when you remove this product from its packaging, due to the addition of the glass protection pre-coating. If this does occur this can easily be removed with a soft, dry cloth.

Fixing Kit Components (Supplied)

| Description | Quantity |
|--------------------------------|----------|
| 2.5mm Drill Bit | 1 |
| Wall Plugs | 6 |
| 40mm Screws | 6 |
| 9mm Screws | 6 |
| Screw Bases | 6 |
| Screw Covers | 6 |
| 25mm Frame Fixing Screws | 8 |
| Universal Caps | 2 |
| 2.5mm Allen Key | 1 |
| 3mm Allen Key | 1 |
| Branding Badge (if applicable) | 1 |

Component Check List: Supplied

| Description | Quantity |
|----------------------------|----------|
| Wall Profiles | 2 |
| Panel Assemblies | 2 |
| Door Assemblies | 2 |
| Horizontal Rail Assemblies | 2 |
| Door Handle Assemblies | 2 |
| Bearing Assemblies (Top) | 4 |
| Bearing Assemblies (Btm) | 4 |
| Vertical Door Magnets | 2 |
| Vertical Door Seals | 2 |
| Vertical Panel Seals | 2 |
| L Shaped Panel Seals | 4 |

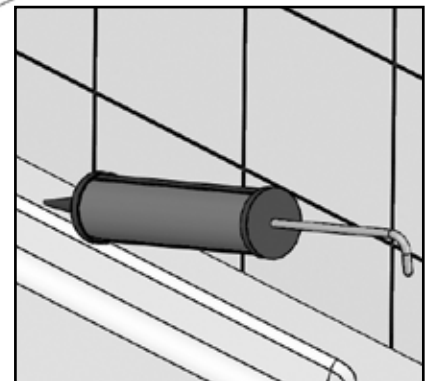
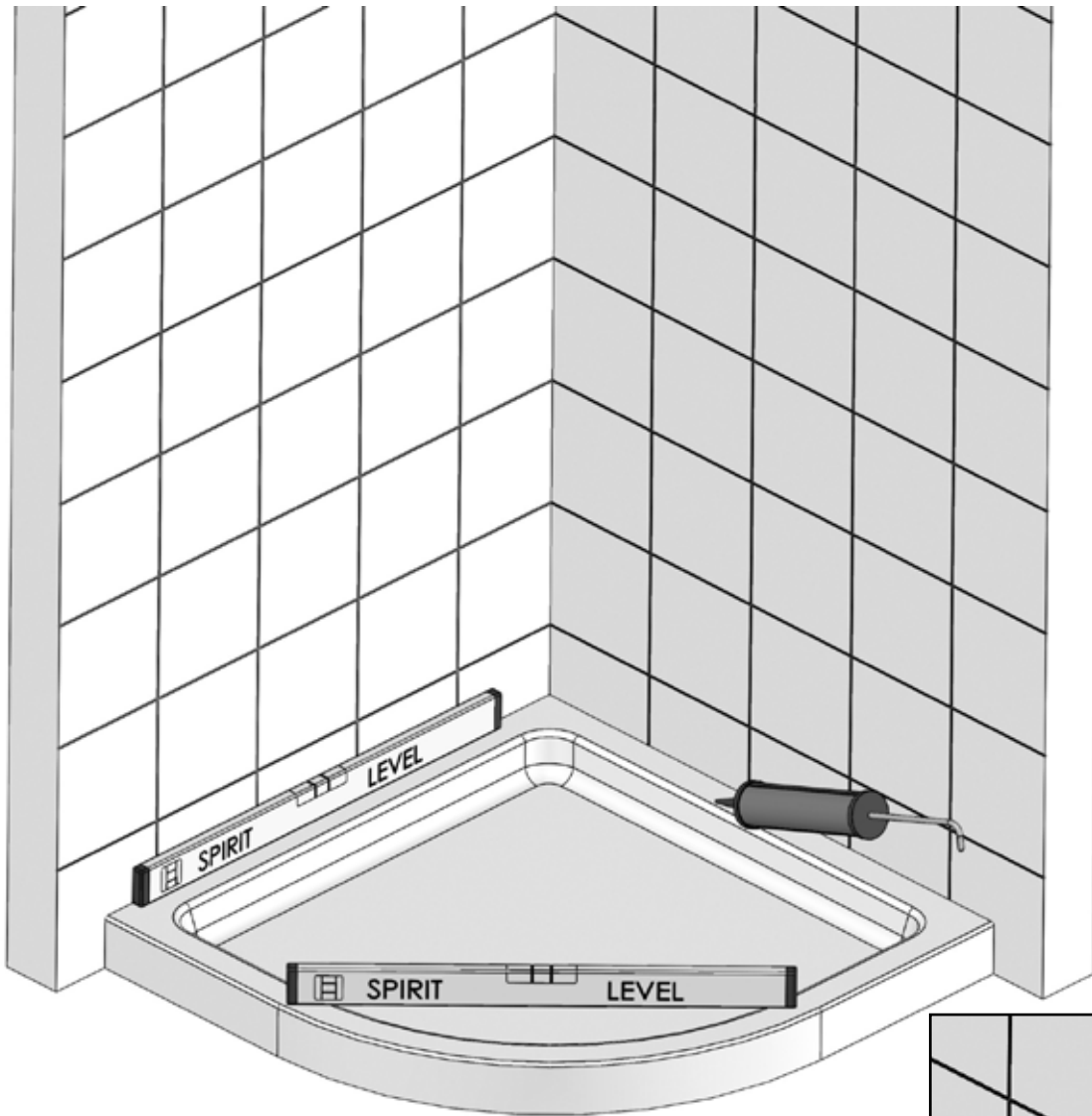
Equipment Check List: Not Supplied

| Description |
|--------------------------------|
| Mains or Battery Drill |
| 6mm Masonry Drill Bit |
| Spirit Level |
| Pozi Screwdriver |
| Sealant Gun / Bathroom Sealant |
| Tape measure |
| Pencil |
| 4.5mm Drill Bit |

CONSUMER GUARANTEE

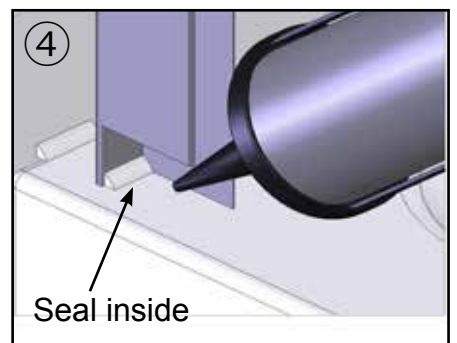
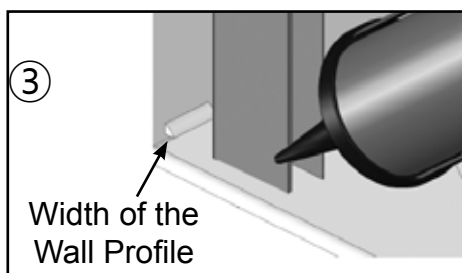
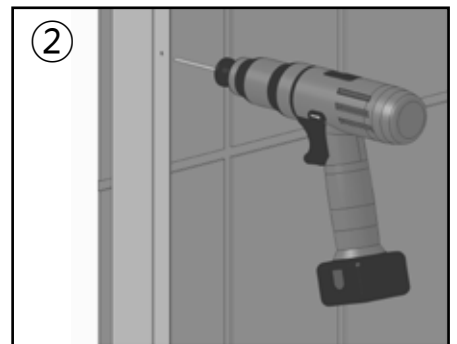
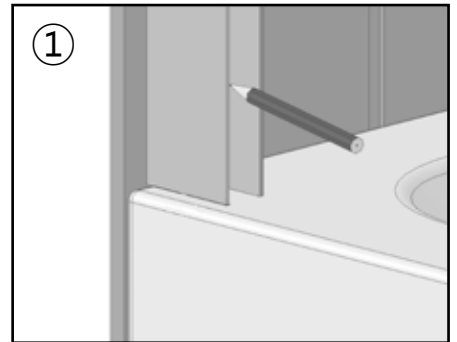
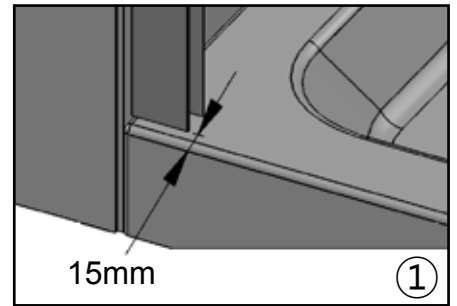
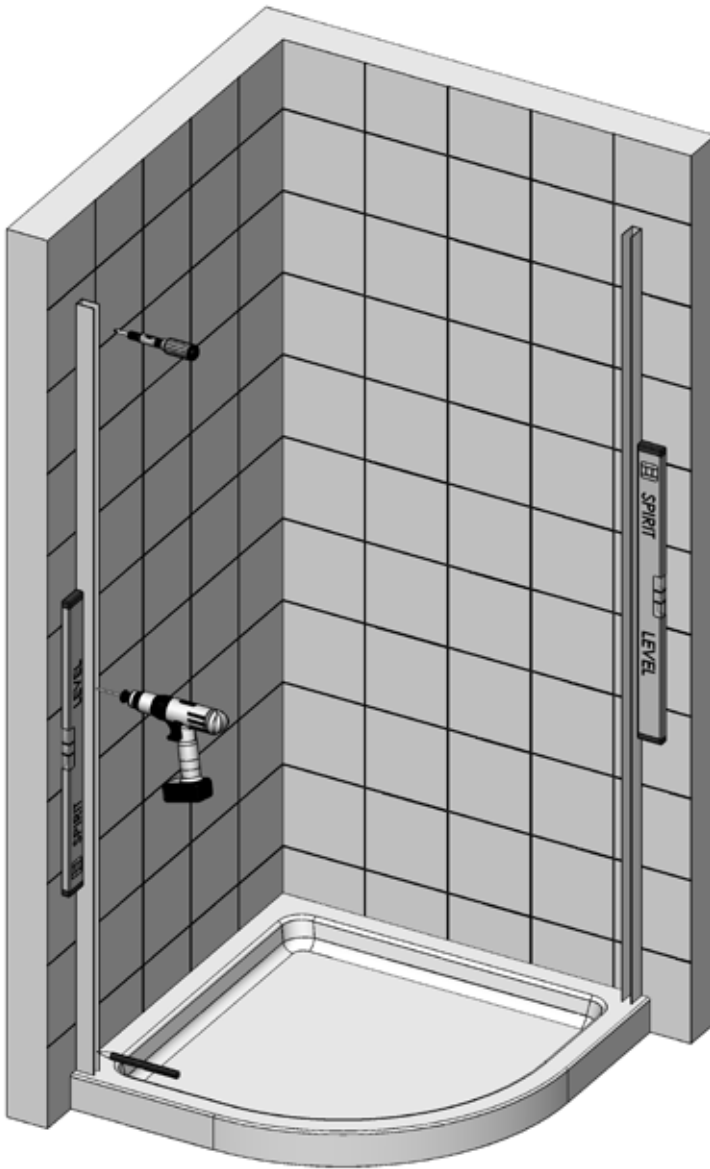
Please make sure the purchaser/end user completes and returns the guarantee card which is enclosed with this product. Failure to validate the Guarantee will mean only the 1 Year Statutory Guarantee will apply.

Step 1 - Pre-Installation Checks



1. Check the tray is level on all sides (the bubble on the spirit level must be in the centre of the 2 lines).
 2. Stand in the tray and check that there is no adverse movement (correct if necessary).
 3. The walls should be tiled and grouted up to the tray.
 4. The tiles and the tray should be sealed using a good quality bathroom sealant.
- **Spray the seal and joints with the shower head and check for leaks when the silicon has cured.**
 - **Check the plumbing for leaks.**
 - **DO NOT plasterboard over the tray.**
 - **DO NOT grout the tiles when the enclosure has been fitted, the grout may discolour the aluminium profiles.**
 - **Make sure the tray is installed as per the manufacturer's instructions.**
 - **When all of the above has been completed please proceed to the Step 2.**

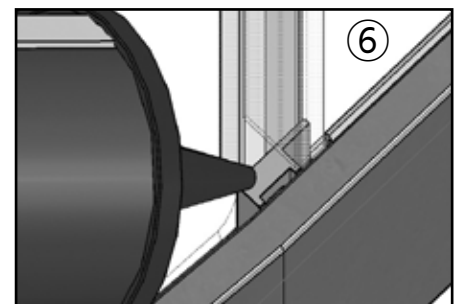
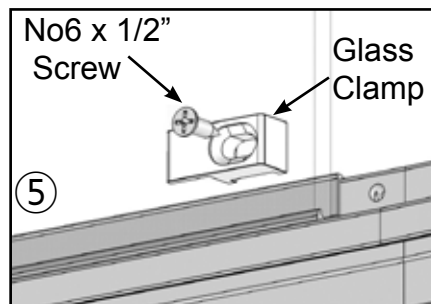
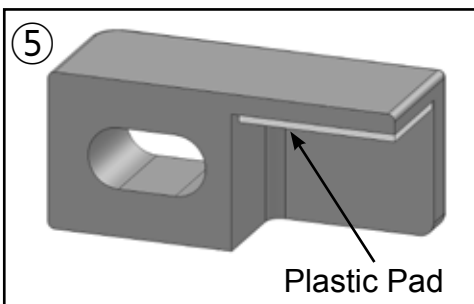
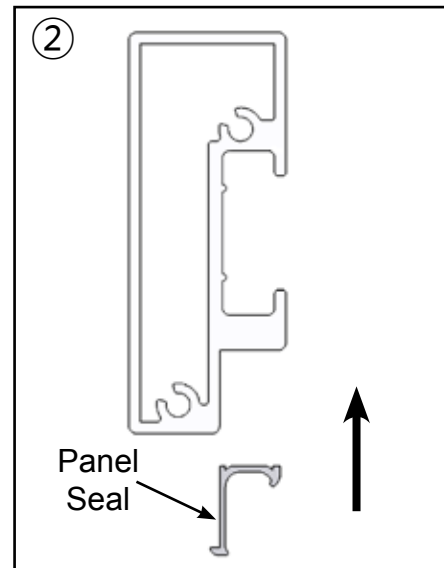
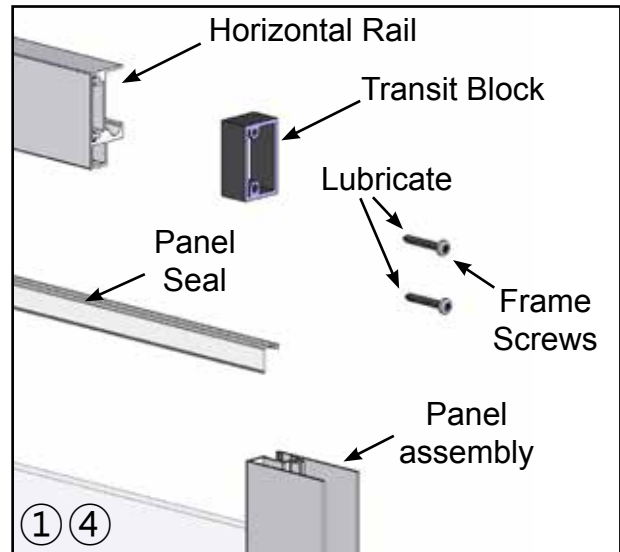
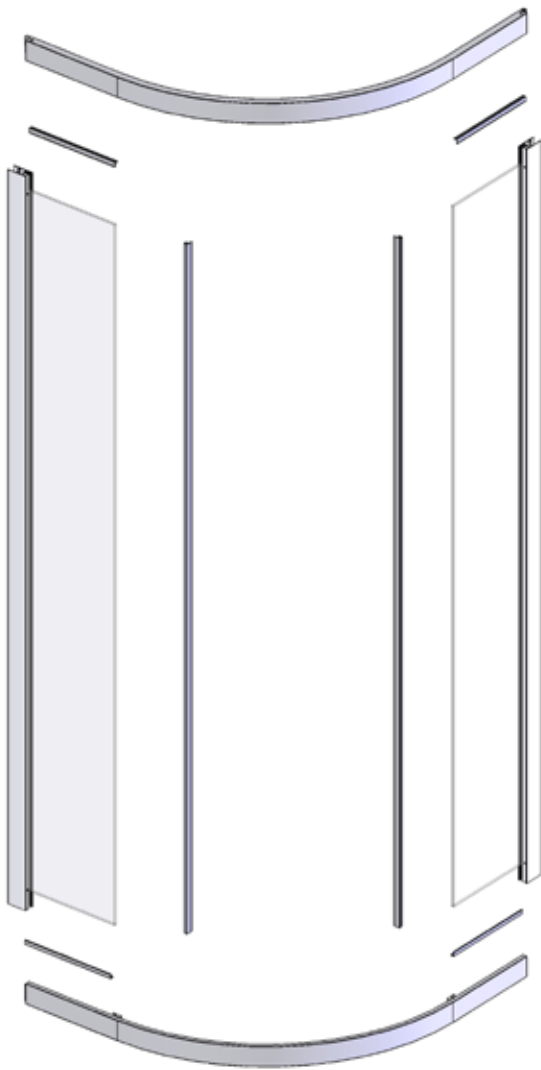
Step 2 - Fitting Wall Profiles



1. Drill three 4.5mm holes into the U-Channel on the wall profiles, approximately 100mm from each end and the last one positioned in the centre. Place the wall profiles 15mm in from the outside of the tray, the lip section of the wall profile must face inward towards the shower. Make sure the wall profile is completely vertical using a spirit level and mark the wall through the drill holes with a pencil.
2. Drill the wall with a 6mm Masonry Drill Bit (not supplied) where the Wall Profiles are to be positioned. Fit the Wall Plugs supplied (if going in to a brick or block wall). If going into a plasterboard wall you will need to purchase appropriate wall fixings. Wipe clear all debris from the Tray before referring to the next stage.
3. Where both Wall Profiles are to be positioned on the Tray, place a bead of Bathroom Sealant (not supplied) the width of the Wall Profile along the tiled wall. Screw the Wall Profiles to the wall with 40mm Screws (supplied). Do not over tighten the screws into the Wall Profiles as this will misshape the Wall Profile. Ensure the Wall Profiles stay completely vertical throughout this procedure using a Spirit Level.
 - **No sealant should be present between the Wall Profiles and the tiled walls vertically prior to screw fixing.**
4. Seal the gap between the Tray and Wall Profiles with a Bathroom Sealant (not supplied).
 - **Failure to carry out this procedure correctly can result in serious water damage and is not covered by the Guarantee.**

Step 3 - Assembling the Horizontal Rails to the Fixed Panels

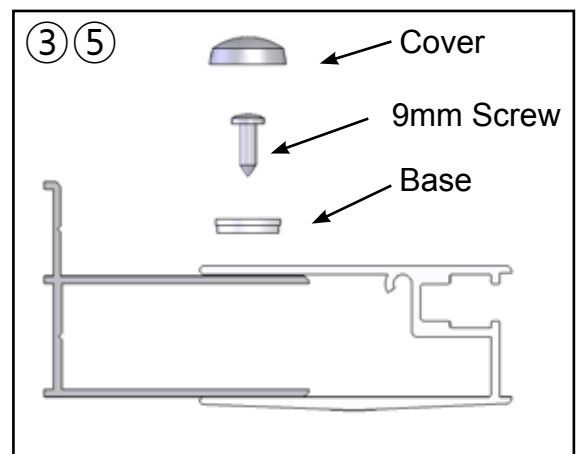
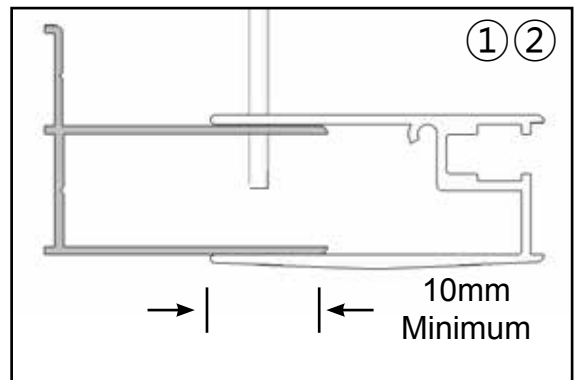
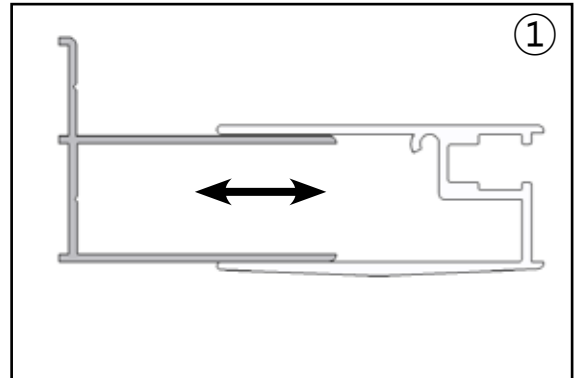
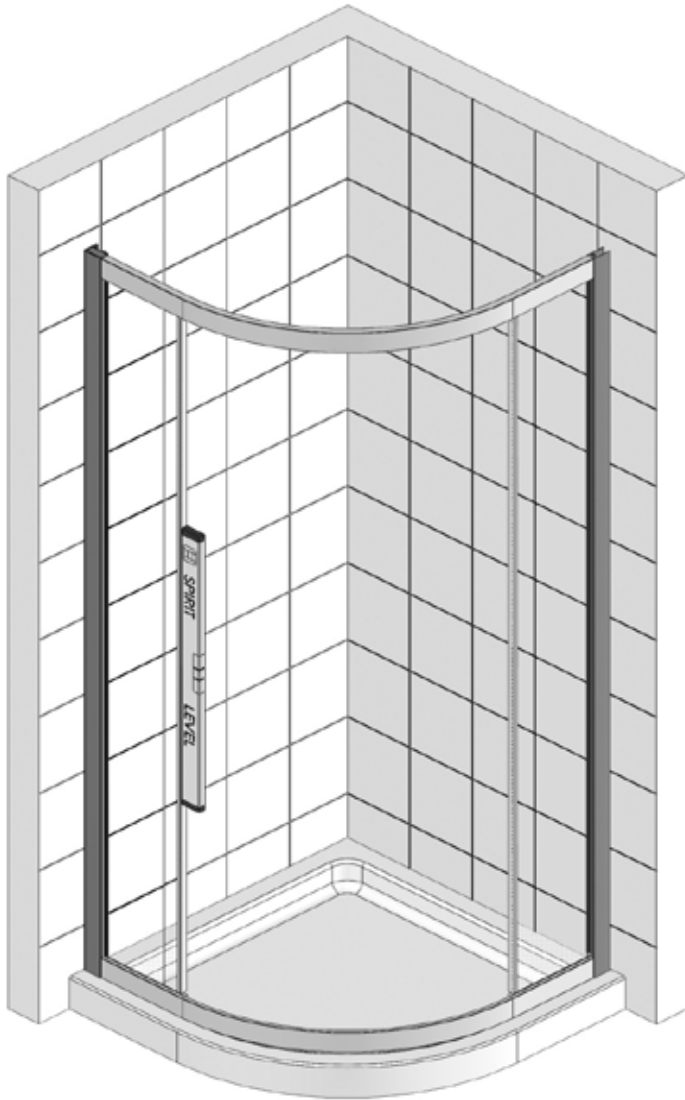
NOTE: Prepare an area that the product can be partially built. 2 people will be required to carry out the following procedures.



1. Remove the Transit Blocks (Red) from each end of the vertical aluminium on the fixed panels.
2. Sit one of the horizontal rails onto the floor and place a "L" shaped Panel Seal between the glass and Horizontal Rail at the bottom making sure that it butts up fully to the Panel Assembly Vertical.
 - **NOTE: There is a long side and short side to the seal, make sure you fit the seal the correct way.**
3. Repeat the same procedures for the other panel. When the bottom is complete repeat to fit the top rail.
 - **Remember 2 people will be required to do these procedures.**
4. With the Panel Seals in position between the glass and Horizontal Rails screw fix the frame together using the 25mm Frame Screws provided.
 - **IMPORTANT: Please use lubricant and a hand screwdriver to NOT over stress the screws.**
5. Fit the glass clamps (Left Hand shown) to secure the glass to the horizontal rail using the No6 x 1/2" countersink screws.
 - **Ensure the clamp is pushed up tight to the glass edge.**
6. Seal the gap in the rail clip with silicon sealant to prevent leaking from this area.
7. Fit the vertical panel seals between the horizontal rails ensuring the flipper part is facing inwards.

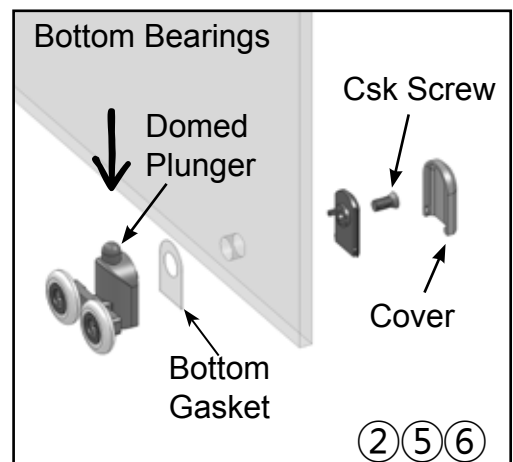
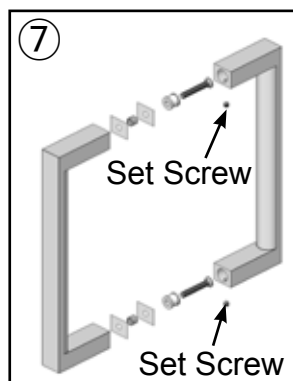
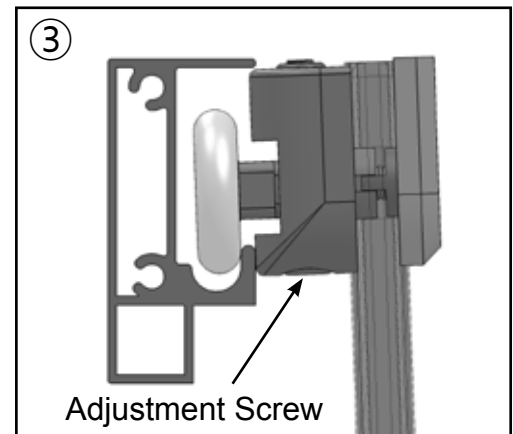
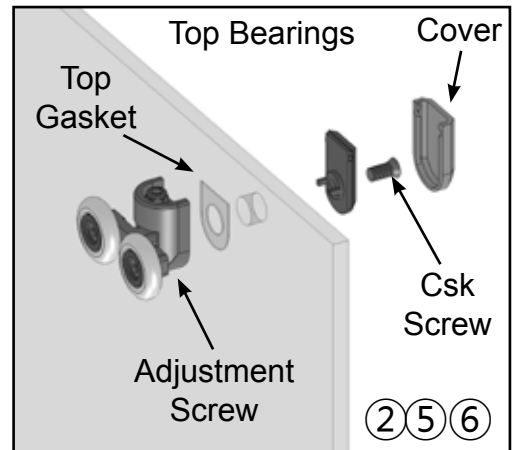
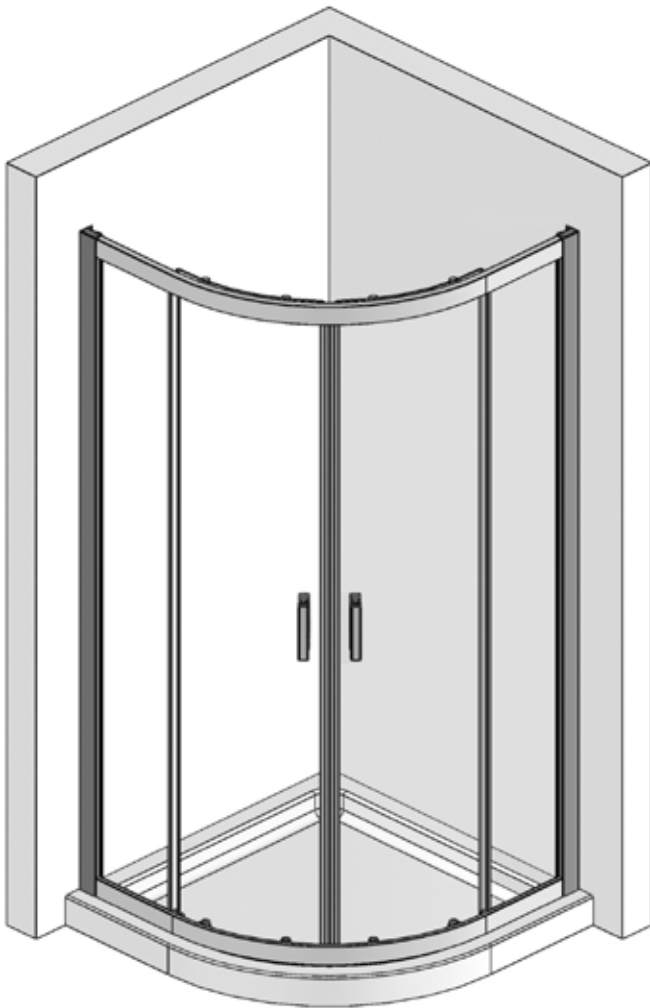
Step 4 - Fixing the Enclosure

NOTE: 2 People will be required to carry out the following procedures.



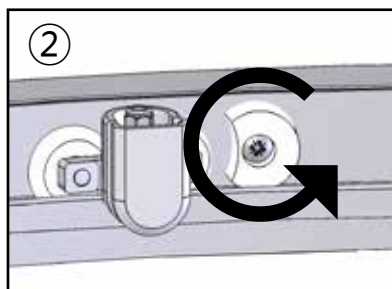
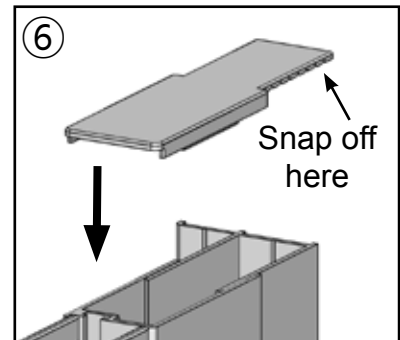
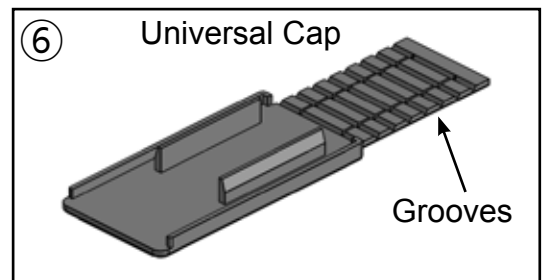
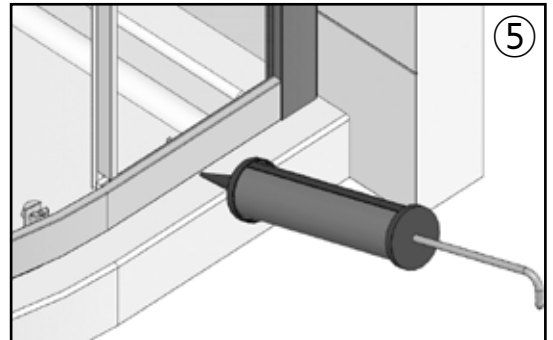
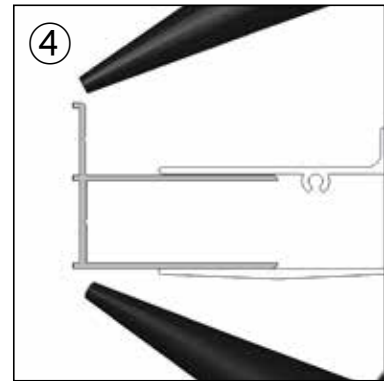
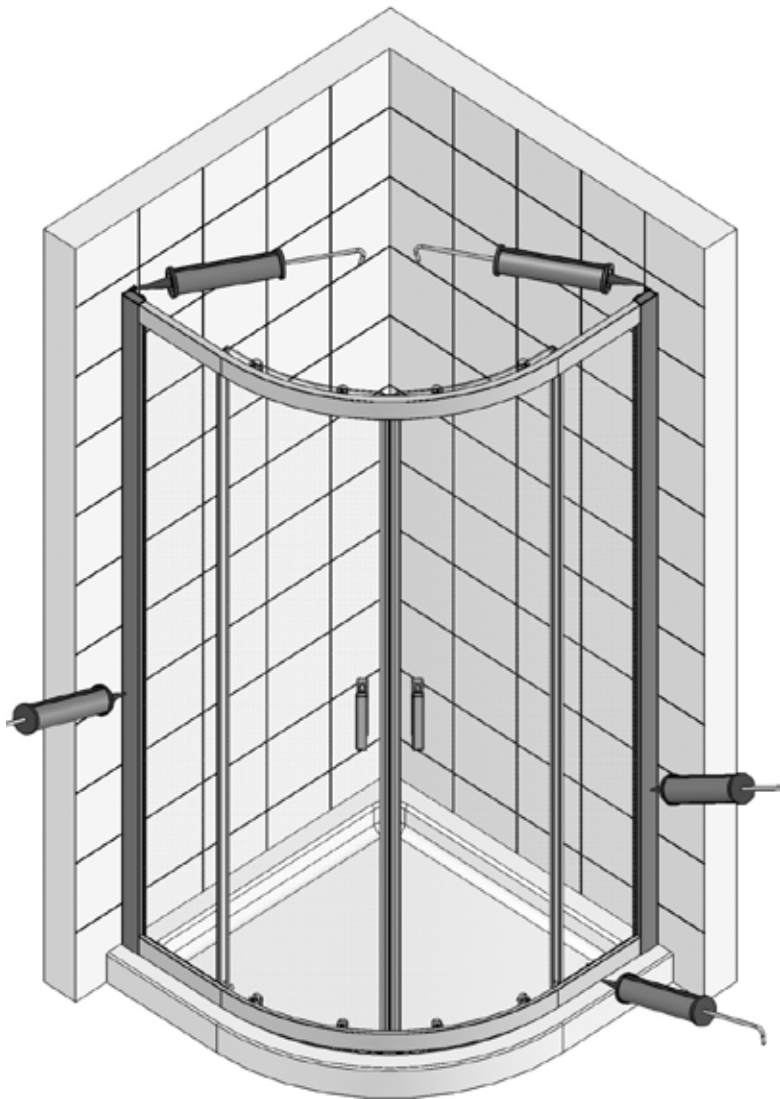
1. Position the framework on top of the tray and place one end fully over the wall profile, then move the framework back into the other wall profile and position it centrally between the two.
 - **There should be a minimum of 10mm for screw fixing.**
2. Place a spirit level on the leading edge of one of the fixed panels and set it so it is completely vertical. With the 2.5mm drill bit (supplied) drill through the vertical into the wall profile approximately 100mm from the top and bottom and one in the centre.
3. Fit the screw bases to the 9mm screws and fix the framework to the wall profile.
4. For fixing the other side of the framework repeat the above.
 - **Ensure the framework is central between the wall profiles and completely vertical.**
5. Push fit the screw covers.

Step 5 - Fitting the Doors



1. Place the Door Glass onto a level scratch free surface.
2. Carefully dismantle the Bearing Assemblies, place the gasket on the outside of the glass (Bearing Side) then re-assemble onto the Door Glass. Make sure you have the correct bearings at the top and bottom and that the wheels are on the outside of the glass.
 - **IMPORTANT: Fit the Bearing Assemblies to the doors using a hand screwdriver only (Do NOT use a Drill).**
 - **NOTE: The bottom bearings have a domed plunger.**
3. Carefully place the assembled door inside the tray. With the Door the correct way round offer the Top Bearings into the top Horizontal Rail, when in position lower the Door and press the plungers down on the Bottom Bearing assemblies so that the Door can be placed into the Bottom Horizontal Rail.
 - **NOTE: When fitting to the top offering the door at a slight angle will make it easier to fit into the rail.**
4. For fitting the other door repeat the above.
5. Carefully check if the doors are parallel (DO NOT LET THE DOORS CLASH). If the doors are not parallel there is a screw in the Top Bearings for adjustment purposes, adjust as necessary to align the Door.
 - **DO NOT overtighten the adjustment screw (there is 5mm of adjustment on each bearing assembly).**
6. When satisfied with the fitting of the Door fit the Inner Bearing Covers.
7. Remove the handles from the packaging, using the Allen Keys (supplied) remove the screws and split the handle assemblies. Fit onto the door glass ensuring the Set Screws are on the inside of the enclosure.

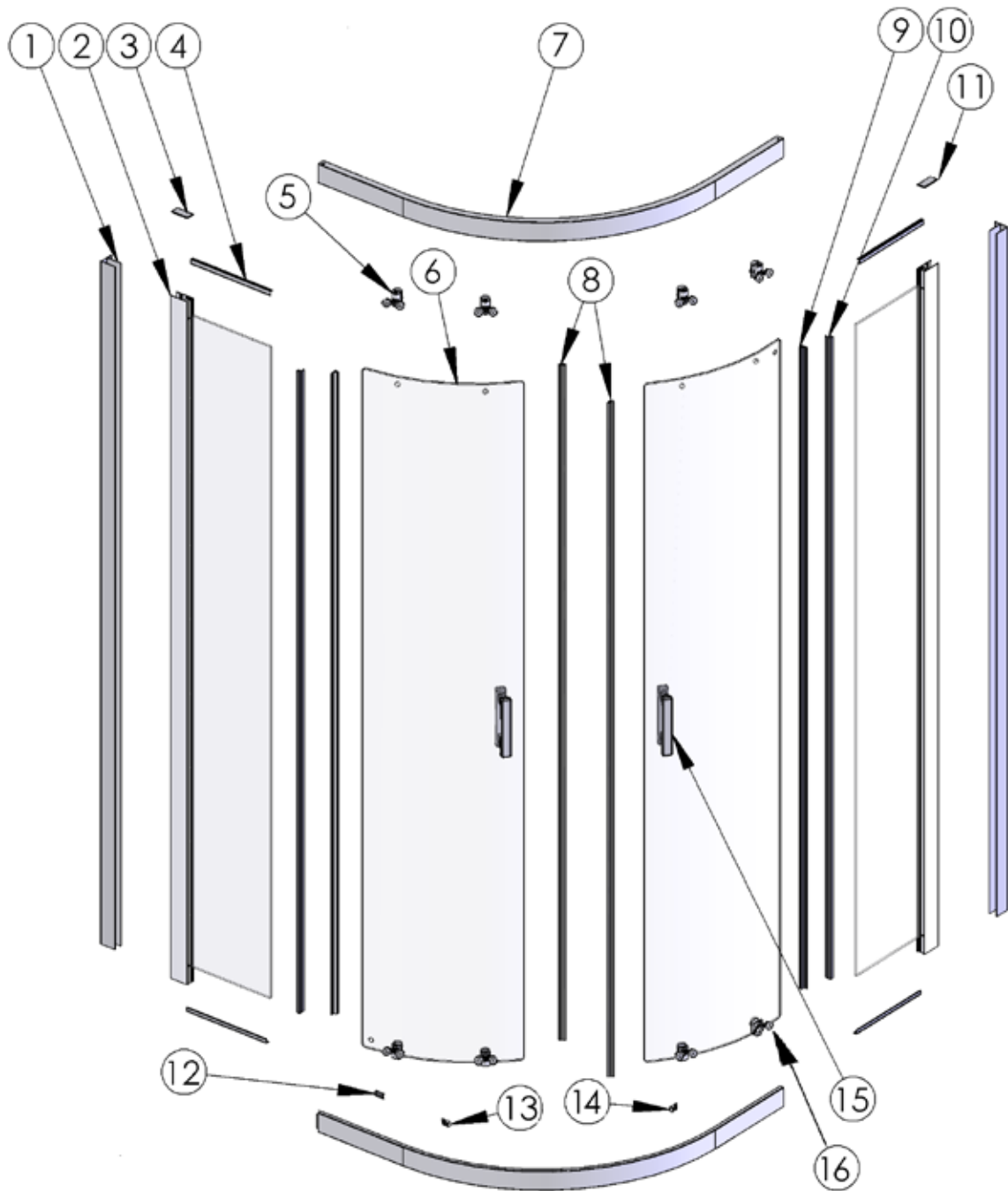
Step 6 - Seals, Top Caps and Sealing



1. Fit the vertical magnet seals onto the doors at the handle side, these are fitted the other way round to each other (shorten if required).
 - **NOTE: The magnet seals can be adjusted slightly to help with the door adjustment in Step 6.**
2. If there is any movement when the Doors are closed rotating the centre Door Stops will minimise this.
3. Fit the vertical door seals to the outer edges of the door glass ensuring that the soft flipper part points outward away from the enclosure (shorten as required).
4. Using a good quality bathroom sealant seal the wall profiles both sides vertically where they meet the tiled walls
5. Seal the base of the enclosure on the outside only.
 - **DO NOT seal the base on the inside.**
6. The Universal Caps have grooves and can be shortened by snapping off at these points. Fit the Caps.
 - **Adding a small amount of silicon between the faces will help keep them in place.**
7. Place the branding badge in a prominent position on a none moving part of aluminium.
 - **IMPORTANT: Failure to carry out stages 3 and 4 may result in serious water damage and will not be covered under the terms of the guarantee.**
 - **Please allow 24 hours for the sealant to fully cure before using the enclosure.**

Spare Parts

If you need to replace any damaged parts please see illustration below for parts list then call Customer Relations on 01325 328033



| Part No. | Description | Q'ty | Part No. | Description | Q'ty | Part No. | Description | Q'ty |
|----------|--------------------------|------|----------|--------------------------|------|----------|-------------|------|
| 1 | Wall Profiles | 2 | 11 | Top Cap (Right Hand) | 1 | 21 | | |
| 2 | Panel Assemblies | 2 | 12 | Door Stop | 8 | 22 | | |
| 3 | Top Cap (Left Hand) | 1 | 13 | Glass Clamp (Right Hand) | 2 | 23 | | |
| 4 | L Shaped Seals | 4 | 14 | Glass Clamp (Left Hand) | 2 | 24 | | |
| 5 | Bearing Assemblies (Top) | 4 | 15 | Handle Assemblies | 2 | 25 | | |
| 6 | Door Glass | 2 | 16 | Bearing Assemblies (Btm) | 4 | | | |
| 7 | Horizontal Rails | 2 | 17 | | | | | |
| 8 | Door Magnet Seals | 2 | 18 | | | | | |
| 9 | Door Vertical Seals | 2 | 19 | | | | | |
| 10 | Panel Vertical seals | 2 | 20 | | | | | |

TROUBLE SHOOTING GUIDE

| Problem | Solution |
|--|---|
| Leaking | <ol style="list-style-type: none">1. Check the tray has been sealed correctly prior to installation of the enclosure.2. Check that the inside gap between the Tray and Wall profiles has been sealed correctly.3. If the inside joint between the enclosure and the tray top is sealed, this will cause leakage - sealant must be removed.4. Ensure the wall profiles on the tiled walls are sealed both vertically inside and outside.5. Ensure the joint between the enclosure and tray top is sealed. <p>Important: This enclosure should be water tested conforming to BS EN 14428</p> |
| Enclosure Alignment on the Tray/Floor | <ol style="list-style-type: none">1. Is the enclosure fitted onto a tiled wall?2. Are the Wall Profiles fitted 15mm from the front outside edge of the tray?3. Are the wall profiles completely vertical?4. Check if the tray is level and the enclosure is completely vertical. |
| Door not running Smoothly | <ol style="list-style-type: none">1. Ensure both wall profiles are completely vertical.2. Ensure the tray is completely level.3. Check the doors are hanging vertical and are running parallel to each other.4. Add some <u>silicon grease</u> or similar to the running track of the horizontal rails.5. Are the bearing assemblies adjusted correctly, the adjustment screw hasn't been over tightened? Are the gaskets fitted between the glass and the Bearings Assemblies6. Check the fixed panels are completely vertical. |
| Door Alignment | <ol style="list-style-type: none">1. Ensure the tray is completely level.2. Ensure both wall profiles are completely vertical.3. Check the fixed panels are completely vertical.4. Ensure the enclosure is completely vertical and level.5. Check the doors are hanging vertical and are running parallel to each other. |
| Gap between Doors | <ol style="list-style-type: none">1. Check the wheel bearing assemblies have been adjusted correctly.2. Have the Door magnet seals been pulled towards each other?3. Rotating the centre Door Stops will minimise door movement. |

Some important information to help you Maintain your product.

The following information is all you need to keep your product looking new.

Clean your product using a mild detergent diluted in water and then polished off using a soft cloth.

If you live in a hard water area, periodically clean your product using a 50/50 solution of white vinegar and water. The solution should be left on the enclosure for approximately 5 minutes then rinsed off using warm water. This method of cleaning should remove lime scale residue.

Simple Maintenance

Our products are generally maintenance free, however it may be necessary to lubricate wheel assemblies and other moving parts from time to time.

It is strongly recommended that a quality silicone spray is used.

A list of Don't's:

1. Don't use acidic based products which are unsuitable for cleaning enamel surfaces.
2. Don't use abrasive cleaners or cleaners using bleach or solvents, these products will adversely affect the finish of the aluminium profiles.
3. Don't use scouring pads, powder or any sharp instruments when cleaning the enclosure.

Should you experience any problems during installation please refer to the Trouble Shooting Guide or contact Customer Relations on:

+44 (0) 1325 328033

To enable customer relations to provide you with an excellent level of service it is important that you quote your product Code and Reference Number - these can be found on the Guarantee card.