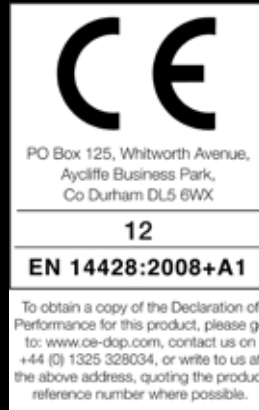


# Two Door Quadrant

## Instruction Manual

### H3Q



### IMPORTANT INFORMATION

- Toughened glass is completely safe for use in our shower enclosures and bath screens; providing our products are installed according to our guidelines.
- It is important to note that the glass must not be mounted or 'pinched' in such a way that would cause a stress point to develop in the glass. In addition, it must not be subject to any sharp impact or severe temperature fluctuation which may also cause a stress point to develop in the glass.
- Toughened glass is physically and thermally significantly stronger than standard glass. During the toughening process the stresses contained within any glass are balanced so if in the unlikely event situation any of the above occurs and the glass breaks, the glass will shatter safely into small thumbnail sized blunt fragments.

### PRE-INSTALLATION CHECKS

1. Check you have the correct product. Please look at the labels on the side of the product packaging.
2. Check all the product components are in the box and the fixing kits.
3. Unpack your product and handle it with care.
4. Please check the product for defects or damage, once the installation has commenced we cannot accept responsibility for any defects or damage.
5. Please take time to read these instructions prior to installing your product.
6. Before you commence any drilling check there are no hidden electrical cables and/or water pipes.
7. No attempt should be made to re-work the toughened safety glass.
8. The installation of the product should be performed by two persons.
9. It is strongly recommended that the walls the product is going to be installed on are vertical.
10. It is strongly recommended the product is fitted on a tiled surface or similar waterproof surface.
11. It is strongly recommended the walls are tiled and grouted before the product is installed.
12. If the walls and/or the tray are not level you will not achieve maximum adjustment of the product.
13. Pictures used are for illustration purposes only, product designs may alter slightly as a result of continuing product development.
14. We do not stipulate where the European Standard Kite Mark should be positioned on the glass when being factory assembled.
15. Please note that some natural misting may occur when you remove this product from its packaging, due to the addition of the glass protection pre-coating. If this does occur this can easily be removed with a soft, dry cloth.

#### Component Check List: Supplied

Description	Quantity
Door Handles	2
Vertical Panel Seals	2
Panel Assemblies	2
Horizontal Rails	2
Bearing Assemblies (Top)	4
Bearing Assemblies (Btm)	4
Wall Profiles	2
Vertical Door Seals	2
Door Magnets	2
Panel to Horizontal Rail Seals	4
Door Glass	2

#### Equipment Check List: Not Supplied

Description
6mm Masonry Drill Bit
4.5mm Drill Bit
Mains / Battery Drill
Spirit Level
Screwdriver
Sealant Gun
Bathroom Sealant
Tape Measure
Pencil
Additional Fixings if going into Plasterboard etc.

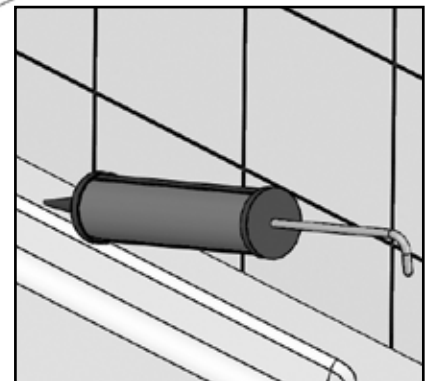
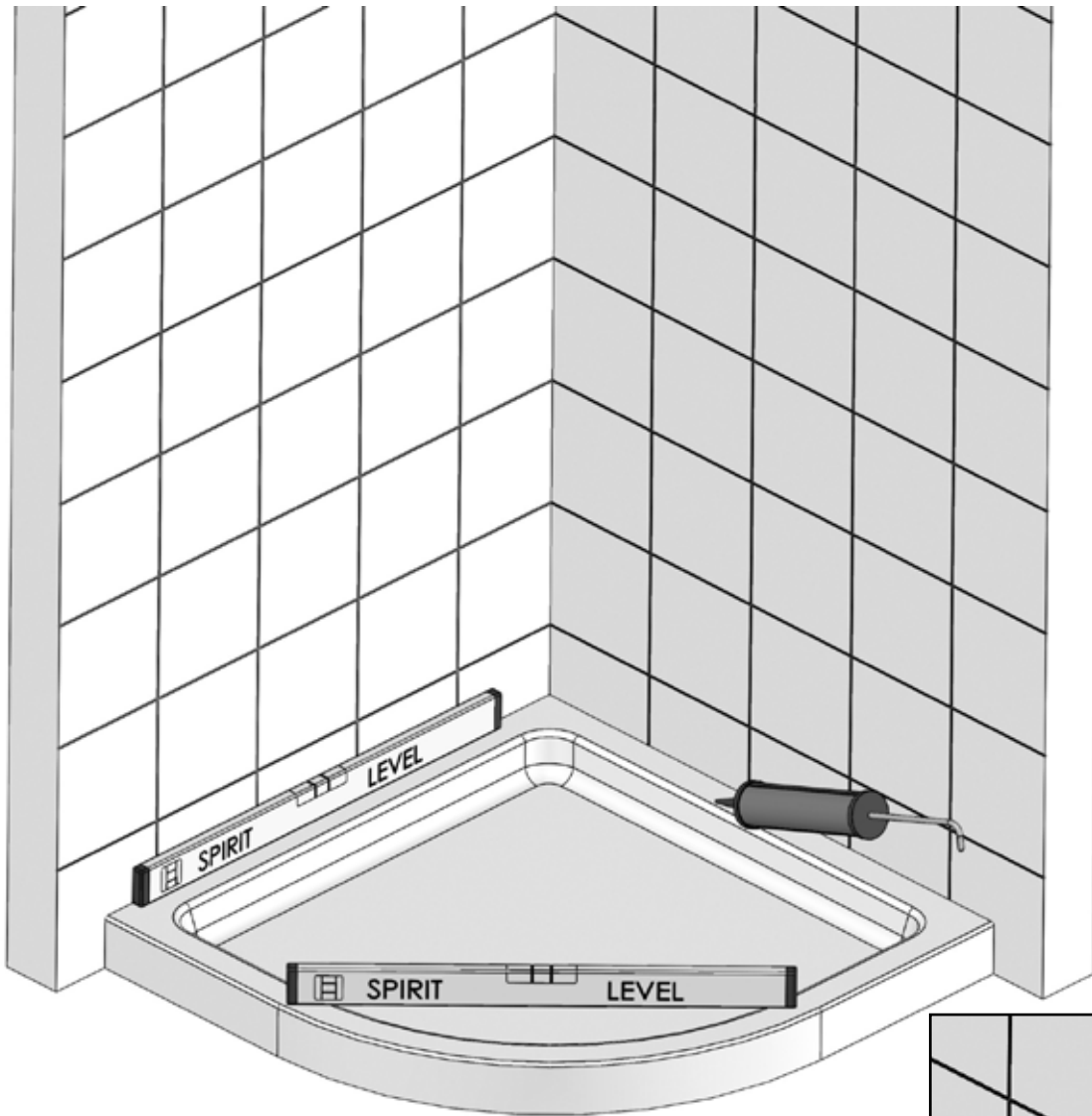
#### Fixing Kit Components

Description	Quantity
Wall Plugs	6
40mm Screws	6
25mm Screws	8
9mm Screws	6
Screw Bases	12
Screw Cover Caps	12
Top Caps (Left Hand and Right Hand)	1 of each
2.5mm Drill Bit	1

### CONSUMER GUARANTEE

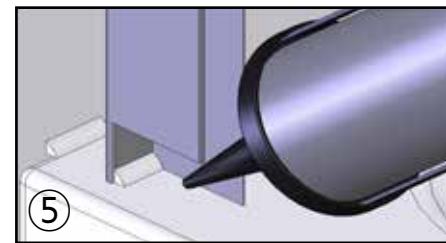
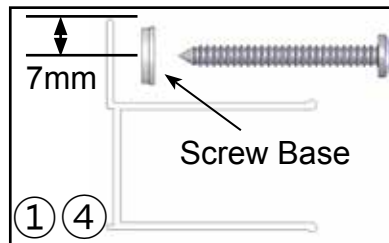
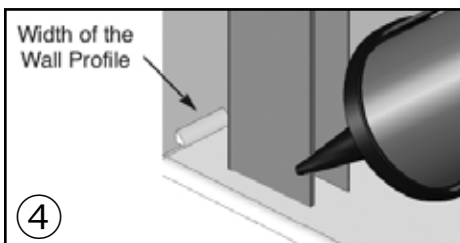
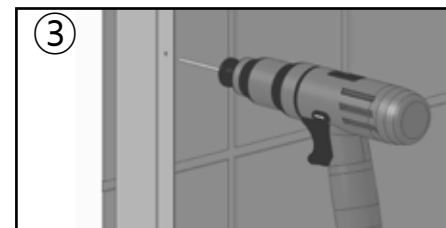
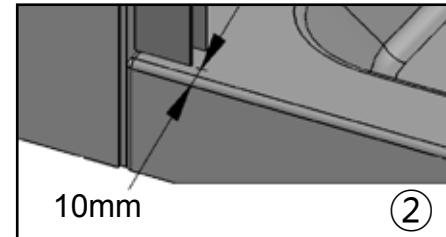
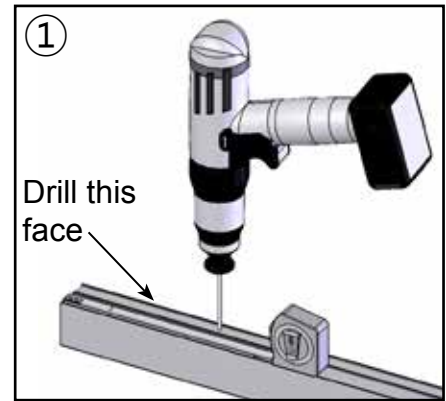
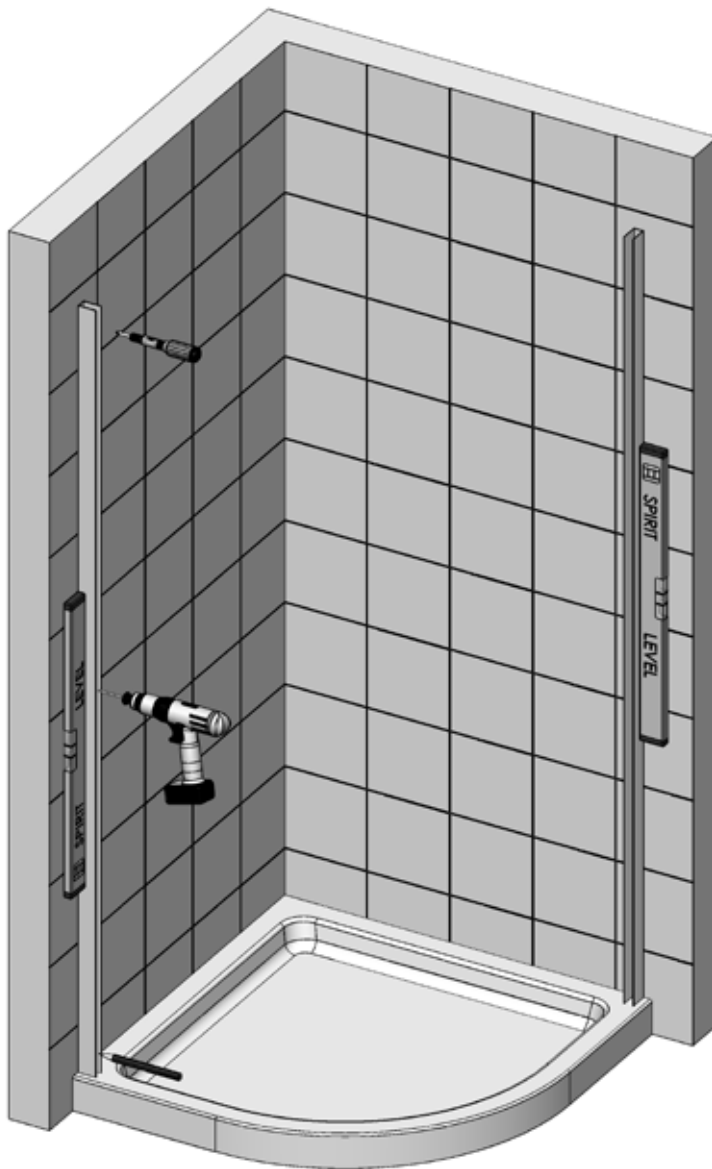
Please make sure the purchaser/end user completes and returns the guarantee card which is enclosed with this product. Failure to validate the Guarantee will mean only the 1 Year Statutory Guarantee will apply.

## Step 1 - Pre-Installation Checks



1. Check the tray is level on all sides (the bubble on the spirit level must be in the centre of the 2 lines).
  2. Stand in the tray and check that there is no adverse movement (correct if necessary).
  3. The walls should be tiled and grouted up to the tray.
  4. The tiles and the tray should be sealed using a good quality bathroom sealant.
- **Spray the seal and joints with the shower head and check for leaks when the silicon has cured.**
  - **Check the plumbing for leaks.**
  - **DO NOT plasterboard over the tray.**
  - **DO NOT grout the tiles when the enclosure has been fitted, the grout may discolour the aluminium profiles.**
  - **Make sure the tray is installed as per the manufacturer's instructions.**
  - **When all of the above has been completed please proceed to the Step 2.**

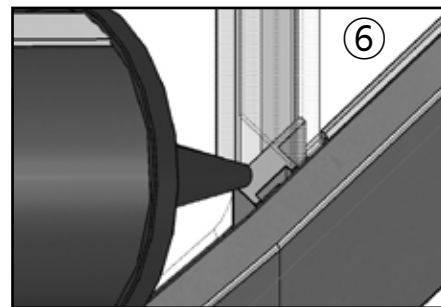
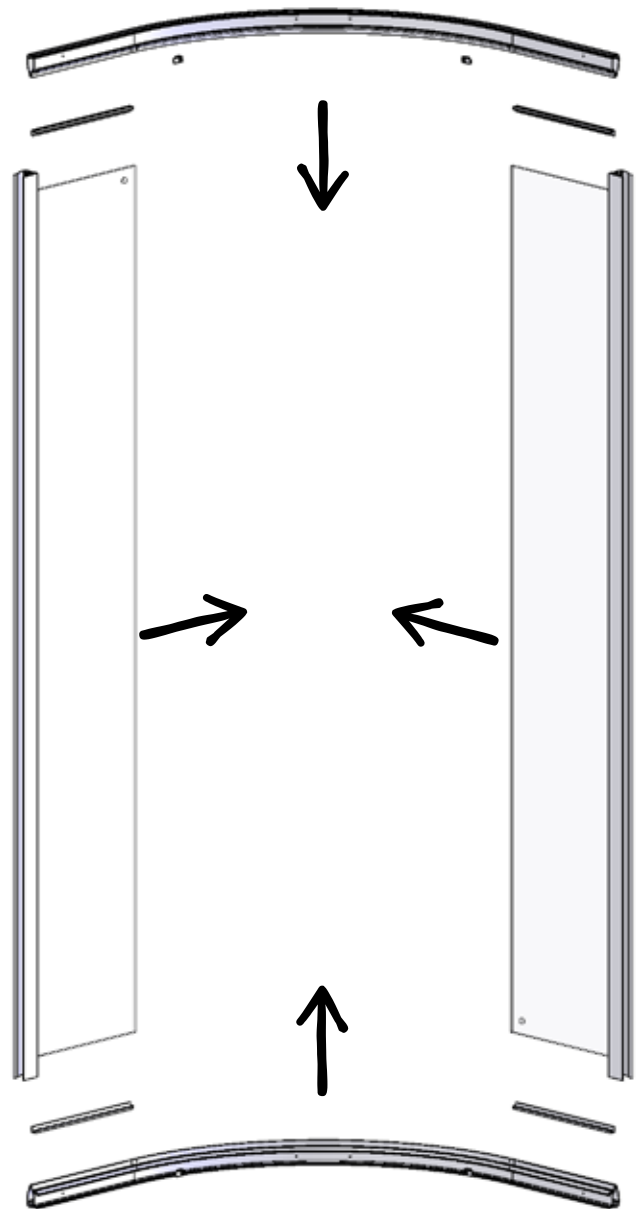
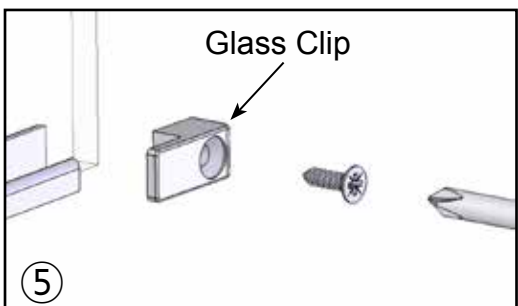
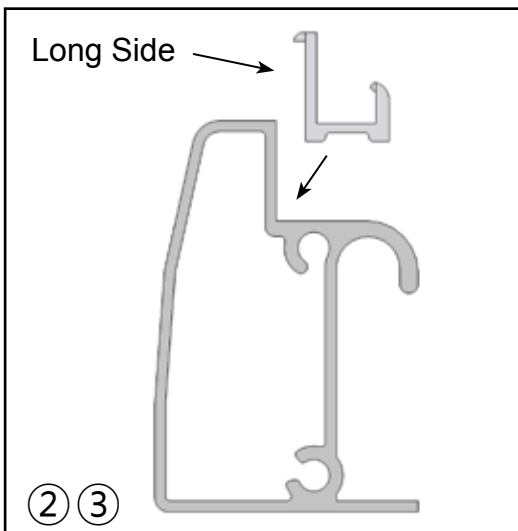
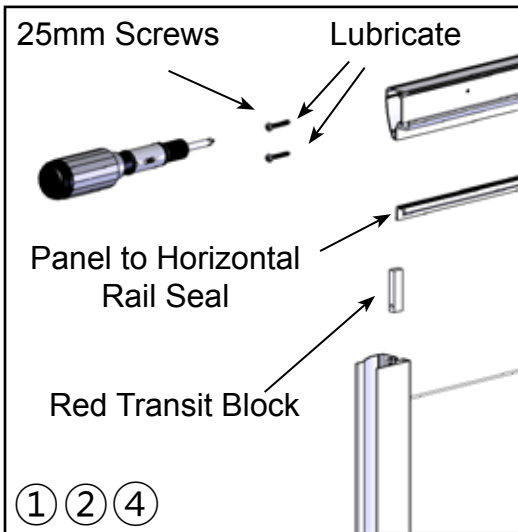
## Step 2 - Wall Profile Positioning



1. On both wall profiles drill three 4.5mm holes through the lip. Place them 7mm in from the edge and approximately 100mm from each end and the other positioned in the centre.
  - **Drill the holes from the back (through the face that goes to the wall) - deburr all holes.**
2. Place both Wall Profiles 10mm in from the outside of the tray. Make sure that both Wall Profiles are completely vertical using a spirit level and mark the wall through the holes with a pencil.
3. Drill the wall with a 6mm Masonry Drill Bit (not supplied) where the Wall Profiles are to be positioned. Fit the Wall Plugs supplied (if going in to a brick or block wall). If going into a plasterboard wall you will need to purchase appropriate wall fixings. Wipe clear all debris from the Tray before referring to the next stage.
4. Take one Wall Profile and position it on the Tray, place a bead of Bathroom Sealant (not supplied) the width of the Wall Profile between the tiled wall and tray. Fit Screw Bases to the 40mm screws (supplied) and secure the Wall Profile to the wall. Do not over tighten the screws into the Wall Profile as this will misshape the Wall Profile. Ensure the Wall Profile stays completely vertical throughout this procedure using a Spirit Level.
  - **NOTE: Only one Wall Profile is fitted at this time, the other Wall Profile is fitted later.**
  - **No sealant should be present between the Wall Profiles and the tiled walls vertically prior to screw fixing.**
5. Seal the gap between the Tray and Wall Profile with a Bathroom Sealant (not supplied).
  - **Failure to carry out Stages 4 & 5 can result in serious water damage and is not covered by the Guarantee.**

## Step 3 - Building the Framework

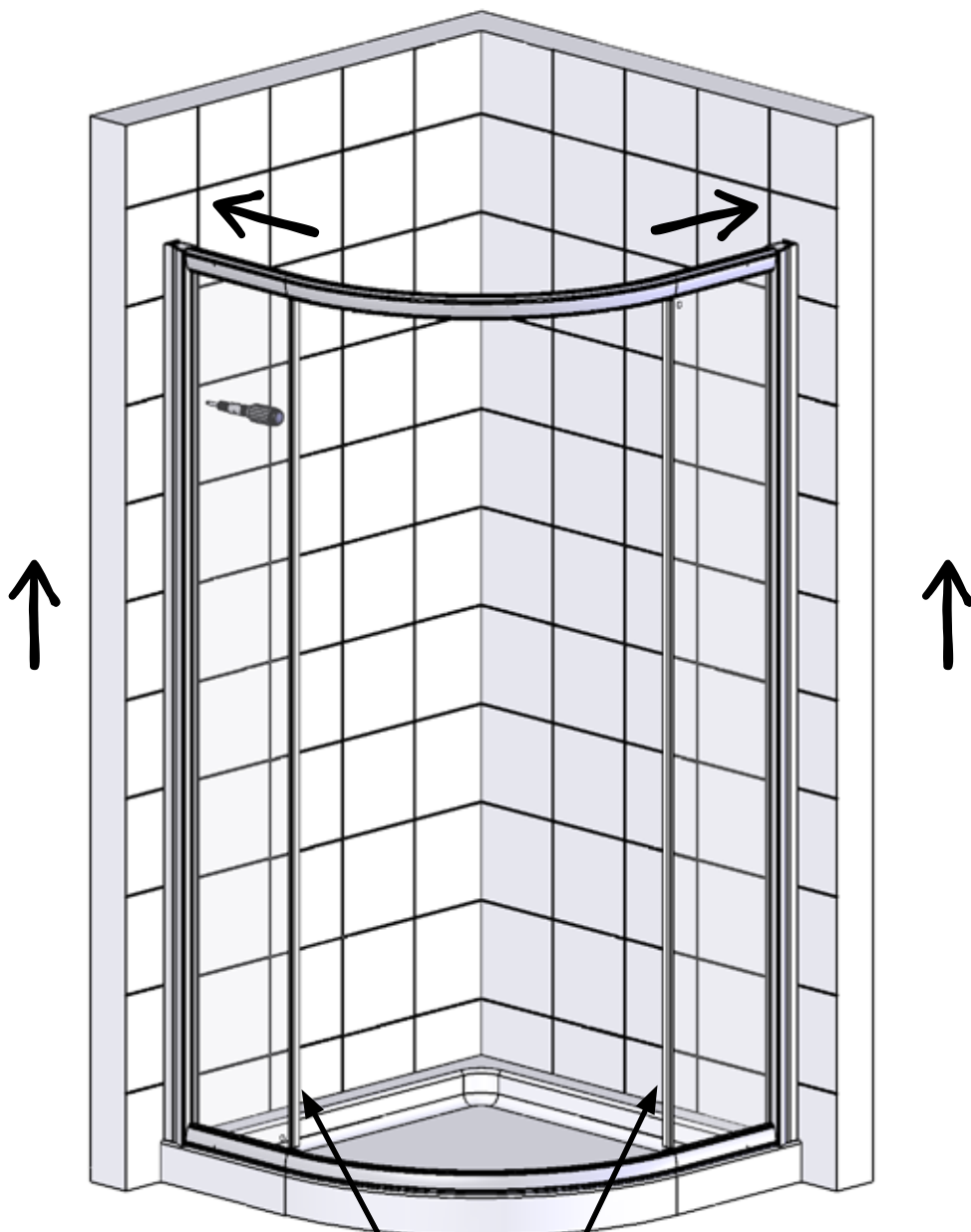
**NOTE:** This part of the installation requires 2 people and a clear area in front of the shower tray in which to assemble the product prior to it being installed. This is a view of the inside of the enclosure.



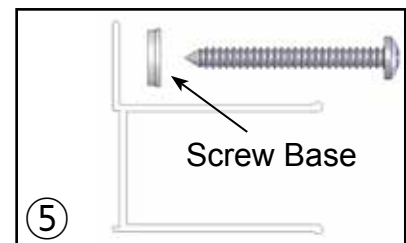
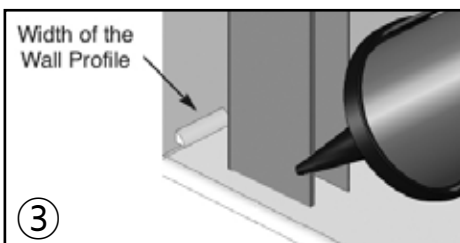
1. **IMPORTANT:** Before proceeding with this assembly remove the Red Plastic Transit blocks from the top and bottom of the Panel Assemblies and discard.
2. Place the Panel to Horizontal Rail Seals onto the top and bottom of the Panel Assemblies.
3. Make sure that the seals are placed onto the glass the correct way round with the long side running vertically up the glass. The seals must also be pushed fully up to the vertical aluminium extrusion bonded onto the glass.
4. With the seals positioned correctly on the glass, fix the Horizontal Rails to the Panel Assemblies using the 25mm screws (Supplied).
  - **IMPORTANT:** Please use lubricant and a hand screwdriver to **NOT** over stress the screws.
5. Secure the glass to the Horizontal Rails by tightening the glass clips, being careful not to overtighten.
6. Seal the gaps in the rail clips with silicon sealant to prevent leaking from this area.

## Step 4 - Fitting the Framework & Second Wall Profile

**NOTE:** This part of the installation requires 2 people.



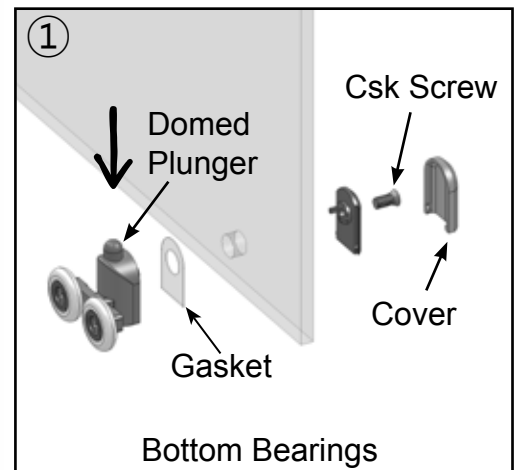
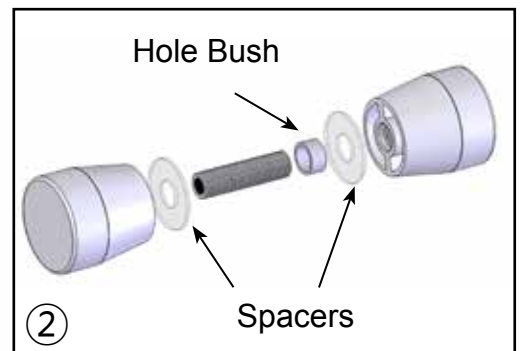
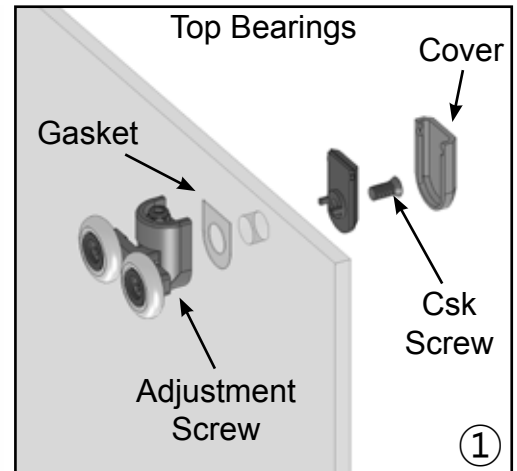
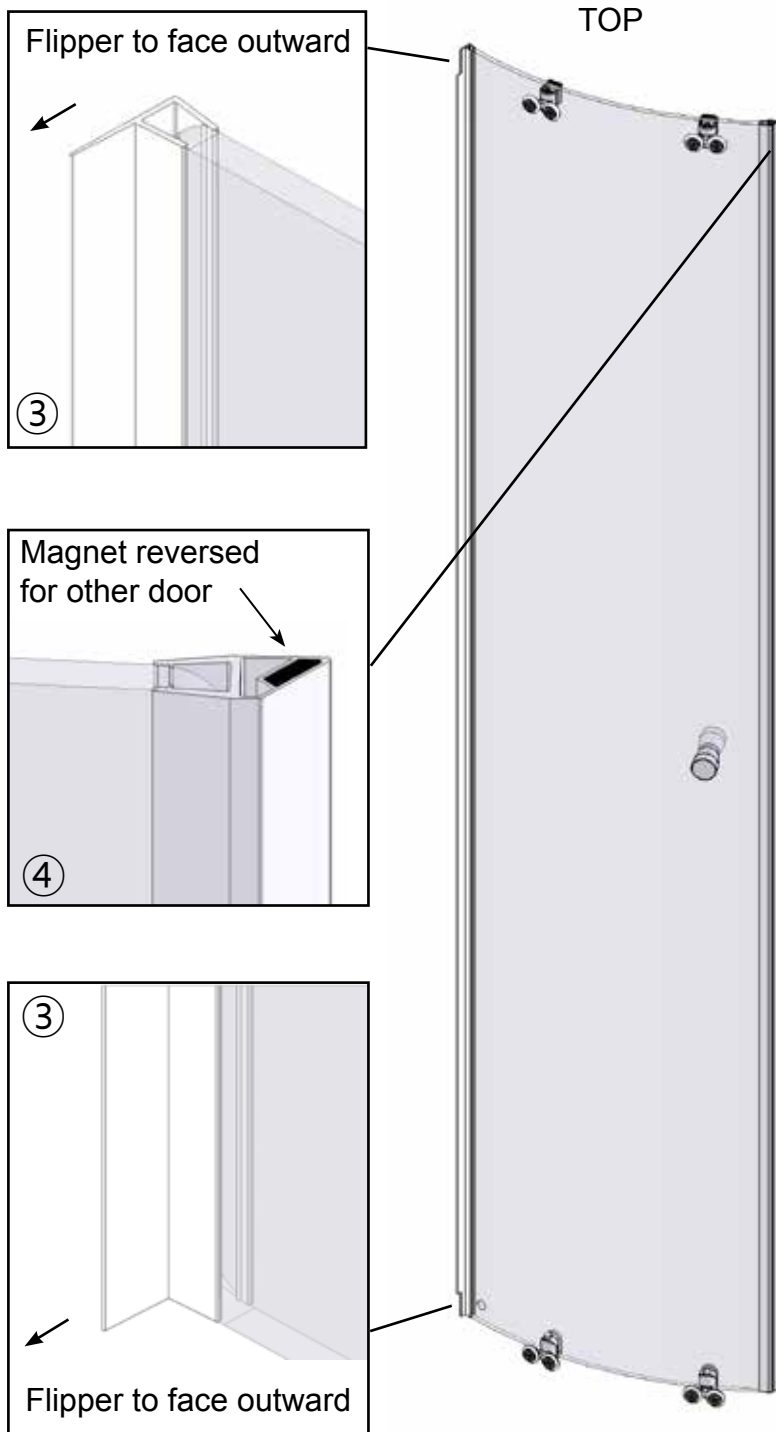
⑥ Panel Vertical Seals



1. Place the remaining Wall Profile onto the end of the Framework where it is required.
2. Gently lift the Framework onto the tray and into position, take care that the glass stays between the glass clips and the Horizontal Rails.
3. Where the remaining Wall Profile meets the tiled wall and tray apply a generous bead of sealant.
4. Position the Wall Profile so that it locates over the previously fitted wall plugs.
5. Fit Screw Bases to the 40mm screws (supplied) and secure the Wall Profile to the wall. Do not over tighten the screws into the Wall Profile as this will misshape the Wall Profile. Ensure the Wall Profile stays completely vertical throughout this procedure using a Spirit Level.
6. Fit the vertical Panel Seals to the edge of the glass.

## Step 5 - Assembling the Doors

**NOTE:** The Bearing Assemblies for the top and bottom are different and can be distinguished by the bottom bearings having a domed plunger.

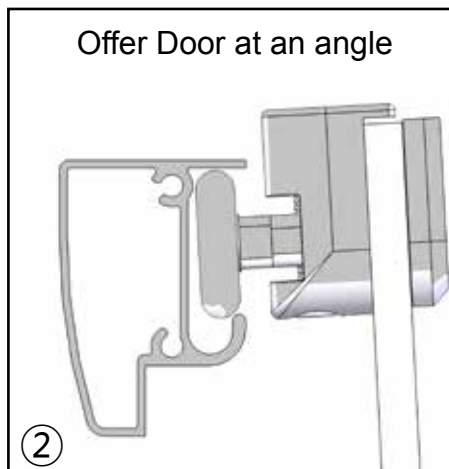


- Carefully dismantle the Bearing Assemblies, place the gasket on the outside of the glass (Bearing Side) then re-assemble onto the Door Glass. Make sure you have the correct bearings at the top and bottom and that the wheels are on the outside of the glass.
  - IMPORTANT:** Fit the Bearing Assemblies to the doors using a hand screwdriver only (Do NOT use a Drill).
  - NOTE:** The bottom bearings have a domed plunger.
- Dismantle the Handle Assembly and re-assemble onto the Door Glass. Make sure the Hole Bush is fitted between the screw and glass and the Spacers are fitted each side of the Door.
- Fit the Vertical Door Seals to the Door Glass, the soft flipper section to face the outside.
- Fit the Magnets to the Handle side of the Door Glass, one magnet will need to be fitted the opposite way round.

## Step 6 - Fitting the Doors



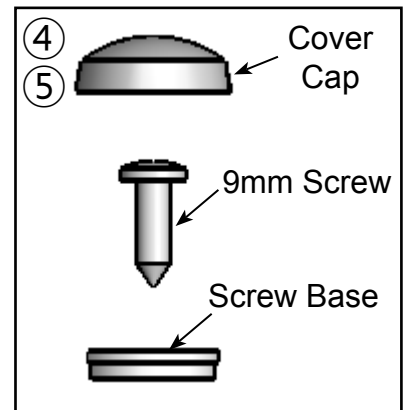
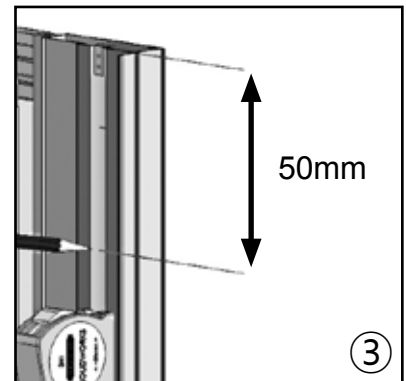
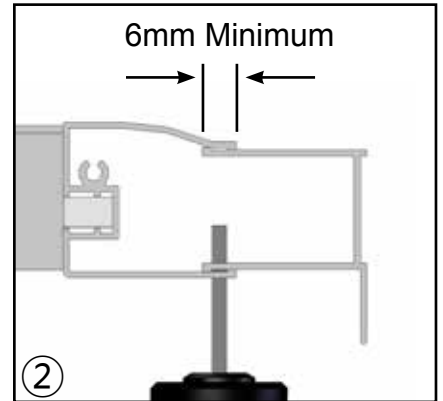
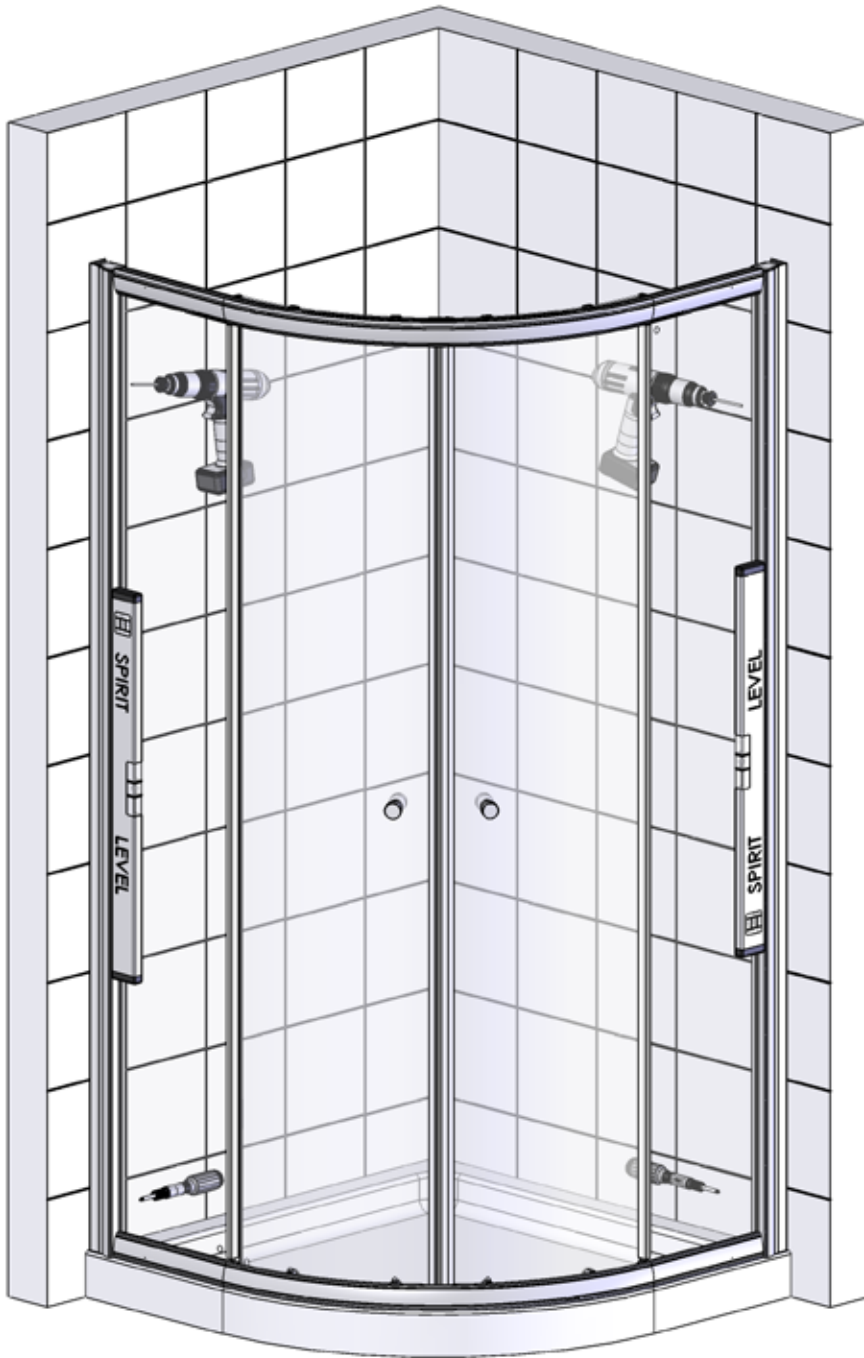
Offer Door at an angle



1. Carefully lift one assembled door into the enclosure ensuring that it is the correct way round.
2. Position the top Wheel Bearings into the Horizontal Top Rail (you may need to have the Door at a slight angle) and drop the Door gently down.
3. Push down the spring loaded Domed Plunger on the bottom Wheel Bearings and push under the Horizontal Bottom Rail
4. Repeat steps 1 to 3 to fit the other Door.

## Step 7 - Fitting the Enclosure

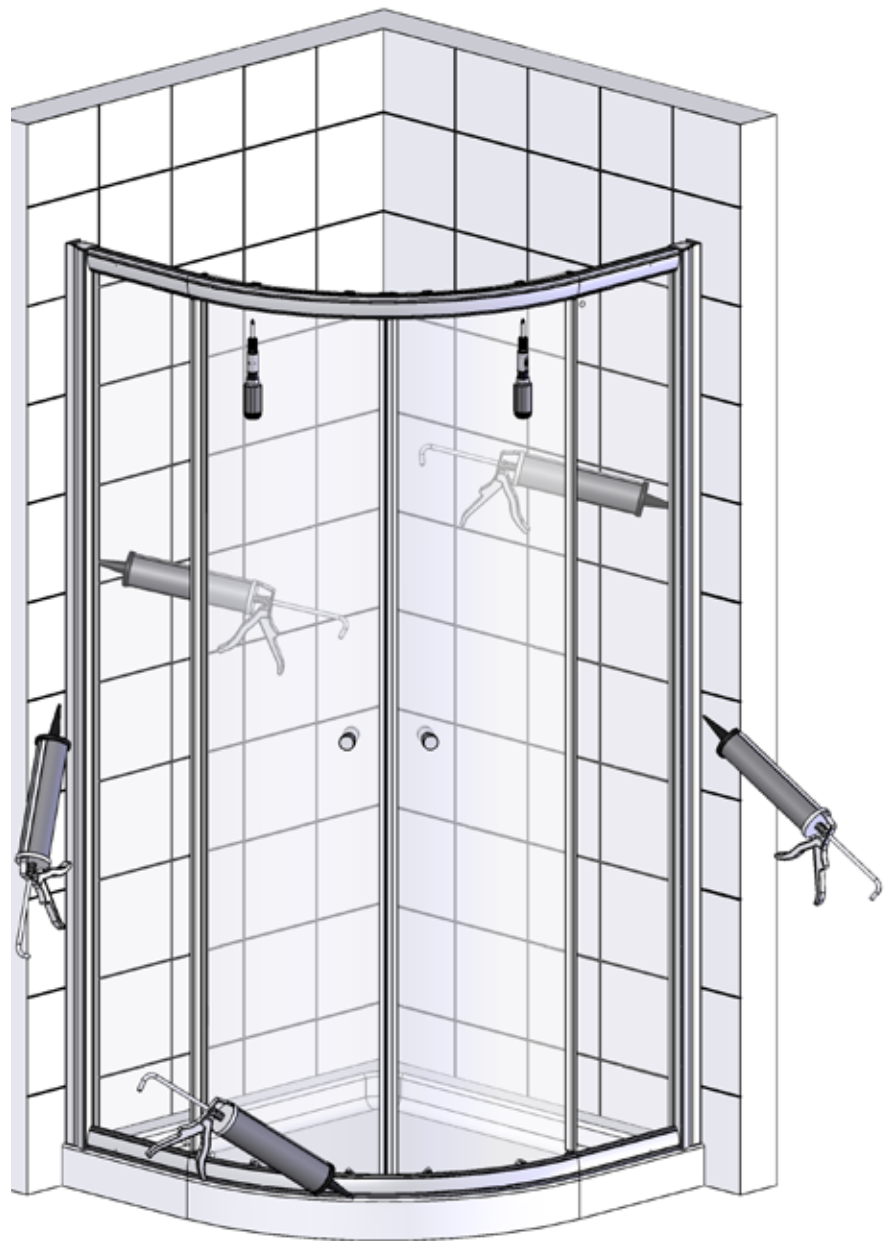
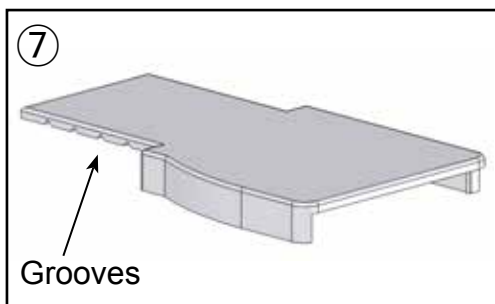
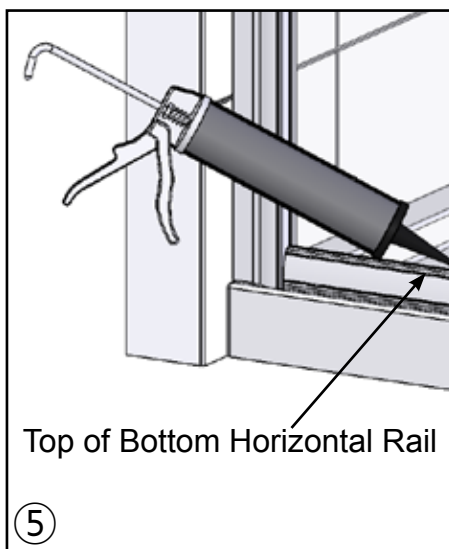
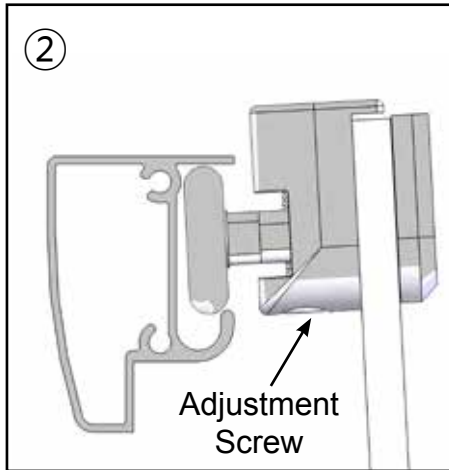
**NOTE:** This part of the installation requires 2 people.



1. Ensure both Panel Assemblies are completely vertical and the Enclosure is level.
2. Make sure the enclosure is positioned equally between both Wall Profiles with a minimum of 6mm for drilling.
3. On each Panel Vertical drill three 2.5mm holes into the Wall Profiles, they are to be drilled approximately 50mm from each end with the other in the centre.
4. Fit the Screw Bases onto the 9mm Screws and fasten together using a screwdriver.
5. Fit all the Screw Cover Caps in the enclosure.



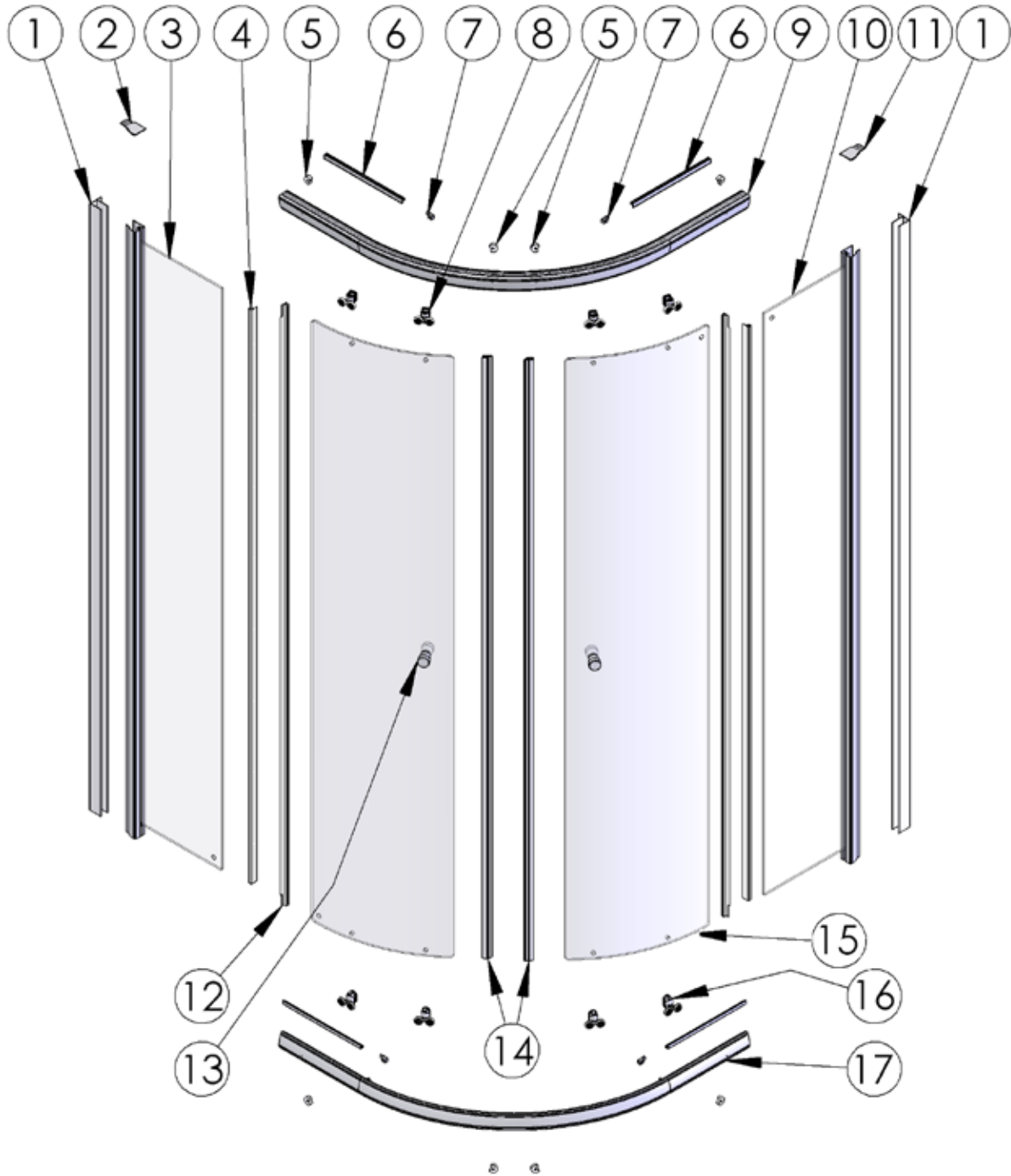
## Step 8 - Door Adjustment and Sealing



1. Close the Doors and check that the Magnets meet each other along the full length, also check that the Door is running smoothly.
2. The Door can be adjusted by turning the Screws on the Top Bearing Assemblies using a screwdriver. Turn the screws up or down until you are satisfied with the Door.
3. The Magnets can also be pulled away from the glass slightly to help with them meeting all the way down.
4. Seal both sides of the Wall Profiles vertically inside and outside where they meet the tiled Walls.
5. Fully seal horizontally between the top of the Bottom Horizontal Rail and the Panels Glass on the outside.
6. Fully seal the Bottom Horizontal Rail to the top of the tray on the outside only from wall to wall.
  - **IMPORTANT: Failure to carry out stages 4,5 and 6 may result in serious water damage and is not covered under the terms of the guarantee.**
  - **DO NOT seal the base of the product to the inside, failure to comply may result in the product leaking.**
7. Fit the Top Caps, these can be shortened to fit by snapping off at the relevant groove. Apply a small amount of silicon to help keep in place.
8. Please allow 24 hours for the sealant to cure prior to using the enclosure.

## Spare Parts

If you need to replace any damaged parts please see illustration below for parts list then call Customer Relations on 01325 328033



Part No.	Description	Q'ty	Part No.	Description	Q'ty	Part No.	Description	Q'ty
1	Wall Profiles	2	11	Top Cap (Right Hand)	1	21		
2	Top Cap (Left Hand)	1	12	Vertical Door Seals	2	22		
3	Panel Assembly (L-Hand)	1	13	Handle	2	23		
4	Vertical Panel Seals	2	14	Door Magnets	2	24		
5	Door Stops	8	15	Door Glass	2	25		
6	Panel to Rail Seals	4	16	Bearing Assemblies (Btm)	4			
7	Glass Clips	4	17	Bottom Rail	1			
8	Bearing Assemblies (Top)	4	18					
9	Top Rail	1	19					
10	Panel Assembly (R-Hand)	1	20					

## TROUBLE SHOOTING GUIDE

Problem	Solution
<b>Leaking</b>	<ol style="list-style-type: none"><li>1. Check that the inside gap between the Tray and Wall profiles has been sealed correctly.</li><li>2. Ensure the tray is sealed along the tiled walls prior to installation.</li><li>3. If the inside joint between the enclosure and the tray top is sealed, this will cause leakage - sealant must be removed.</li><li>4. Ensure the wall profiles on the tiled walls are sealed both vertically inside and outside.</li><li>5. Ensure the Panel Glass and the top of the Bottom Horizontal Rails are sealed horizontally.</li><li>6. Ensure the joint between the enclosure and tray top is sealed.</li><li>7. Ensure the Door Magnets meet fully all the way down.</li></ol> <p><b>Important: This enclosure should be water tested conforming to BS EN 14428</b></p>
<b>Enclosure Alignment on the Tray</b>	<ol style="list-style-type: none"><li>1. Is the enclosure fitted onto a tiled wall?</li><li>2. Are the wall profiles fitted 10mm from the outside of the tray?</li><li>3. Are the wall profiles completely vertical?</li></ol>
<b>Doors not running Smoothly</b>	<ol style="list-style-type: none"><li>1. Ensure both wall profiles are completely vertical.</li><li>2. Ensure the tray is completely level.</li><li>3. Ensure the enclosure has an equal gap around the tray.</li></ol>
<b>Door Alignment</b>	<ol style="list-style-type: none"><li>1. Ensure both wall profiles are completely vertical.</li><li>2. Ensure the tray is completely level.</li><li>3. If the door is not aligned correctly, you have adjustment in the top wheel assemblies</li></ol>

### Some important information to help you Maintain your product.

The following information is all you need to keep your product looking new.

Clean your product using a mild detergent diluted in water and then polished off using a soft cloth.

If you live in a hard water area, periodically clean your product using a 50/50 solution of white vinegar and water. The solution should be left on the enclosure for approximately 5 minutes then rinsed off using warm water. This method of cleaning should remove lime scale residue.

### Simple Maintenance

Our products are generally maintenance free, however it may be necessary to lubricate wheel assemblies and other moving parts from time to time.

It is strongly recommended that a quality silicone spray is used.

### A list of Don't's:

1. Don't use acidic based products which are unsuitable for cleaning enamel surfaces.
2. Don't use abrasive cleaners or cleaners using bleach or solvents, these products will adversely affect the finish of the aluminium profiles.
3. Don't use scouring pads, powder or any sharp instruments when cleaning the enclosure.

Should you experience any problems during installation please refer to the Trouble Shooting Guide or contact Customer Relations on:

**+44 (0) 1325 328033**

To enable customer relations to provide you with an excellent level of service it is important that you quote your product Code and Reference Number - these can be found on the Guarantee card.