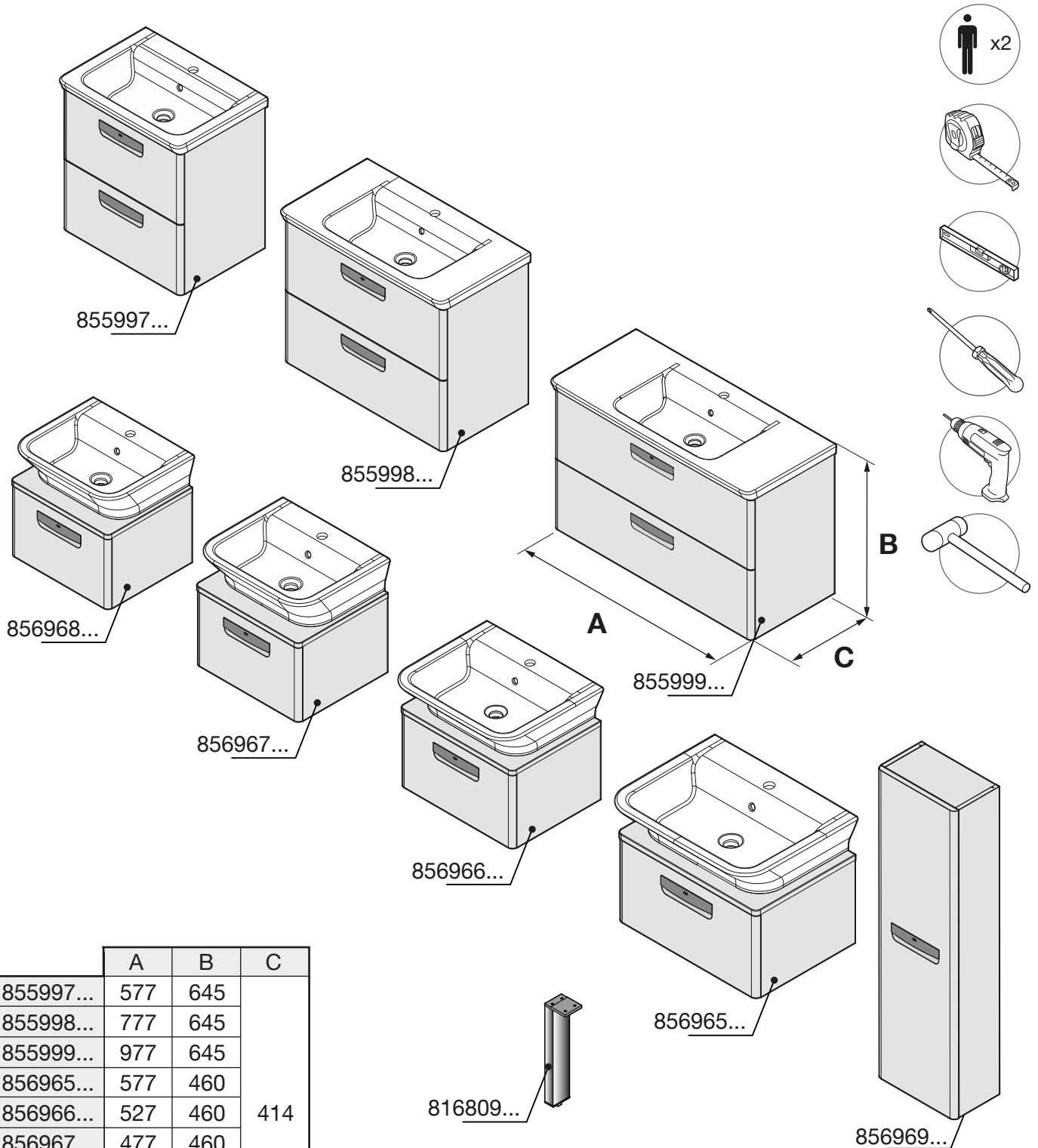


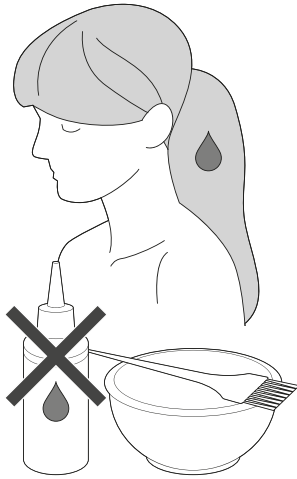


# Roca

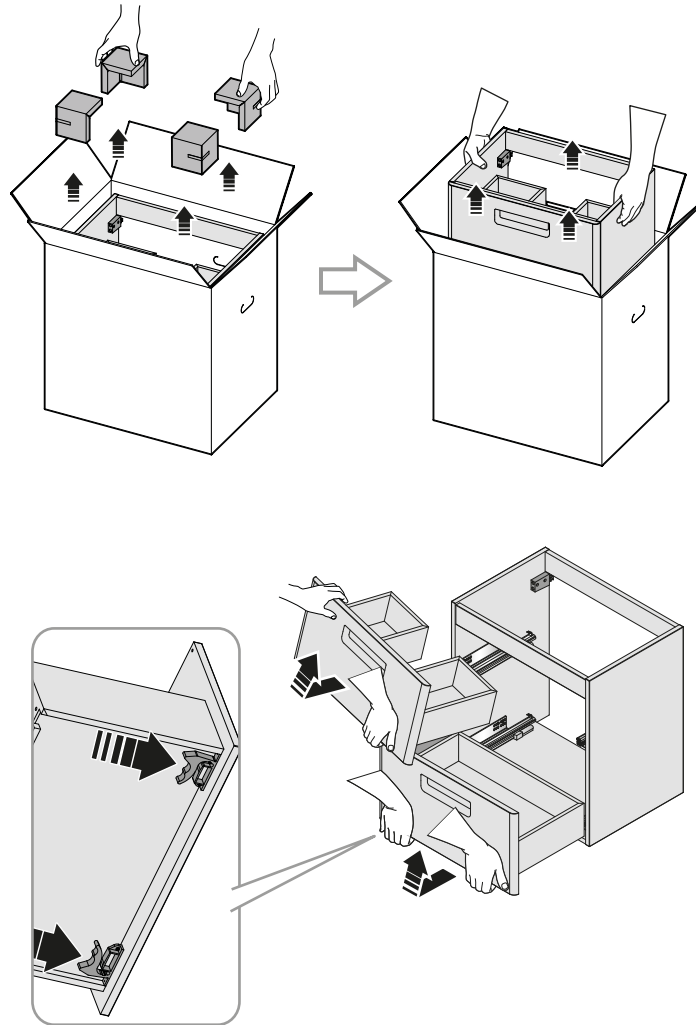
## THE GAP



	A	B	C
855997...	577	645	
855998...	777	645	
855999...	977	645	
856965...	577	460	
856966...	527	460	414
856967...	477	460	
856968...	427	460	
856969...	350	1200	200
816809...	20	220	40



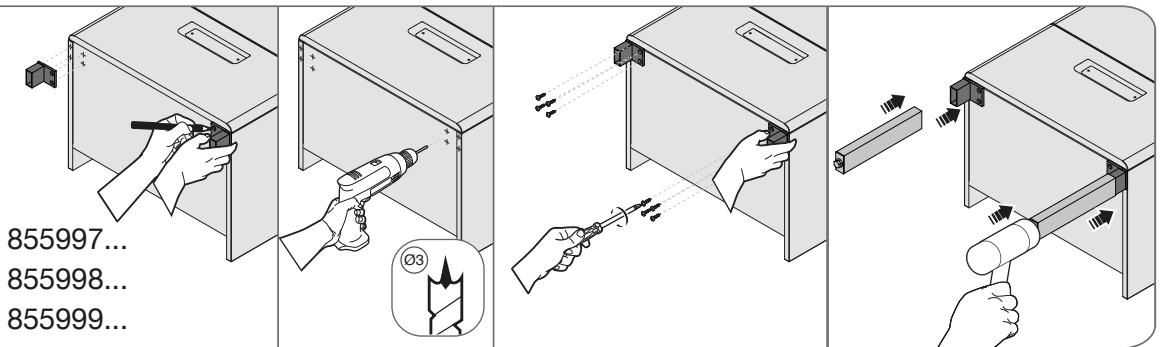
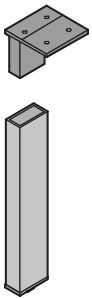
1



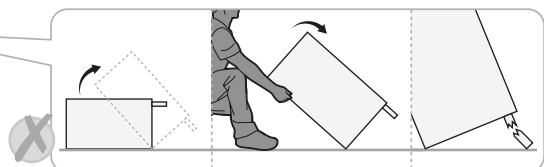
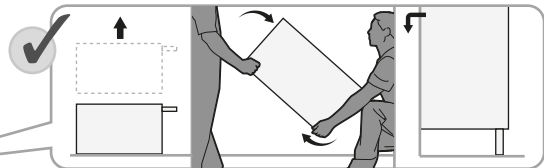
2



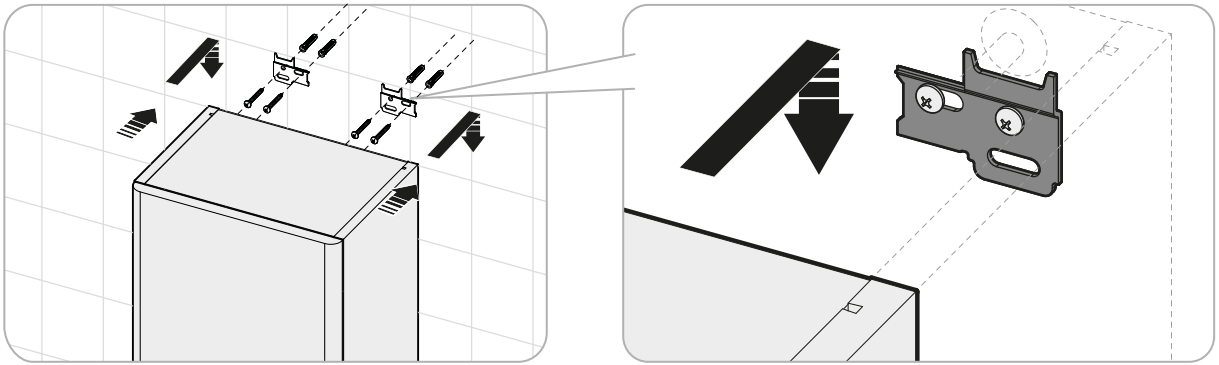
OPTIONAL



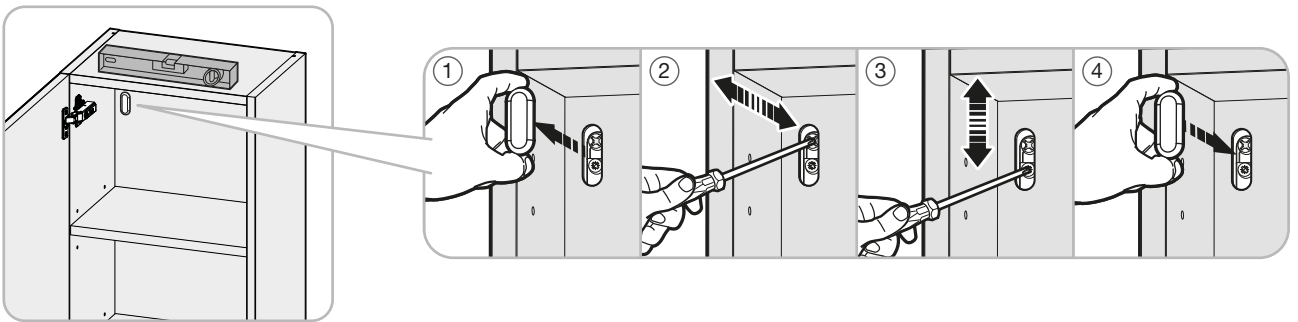
855997...  
855998...  
855999...



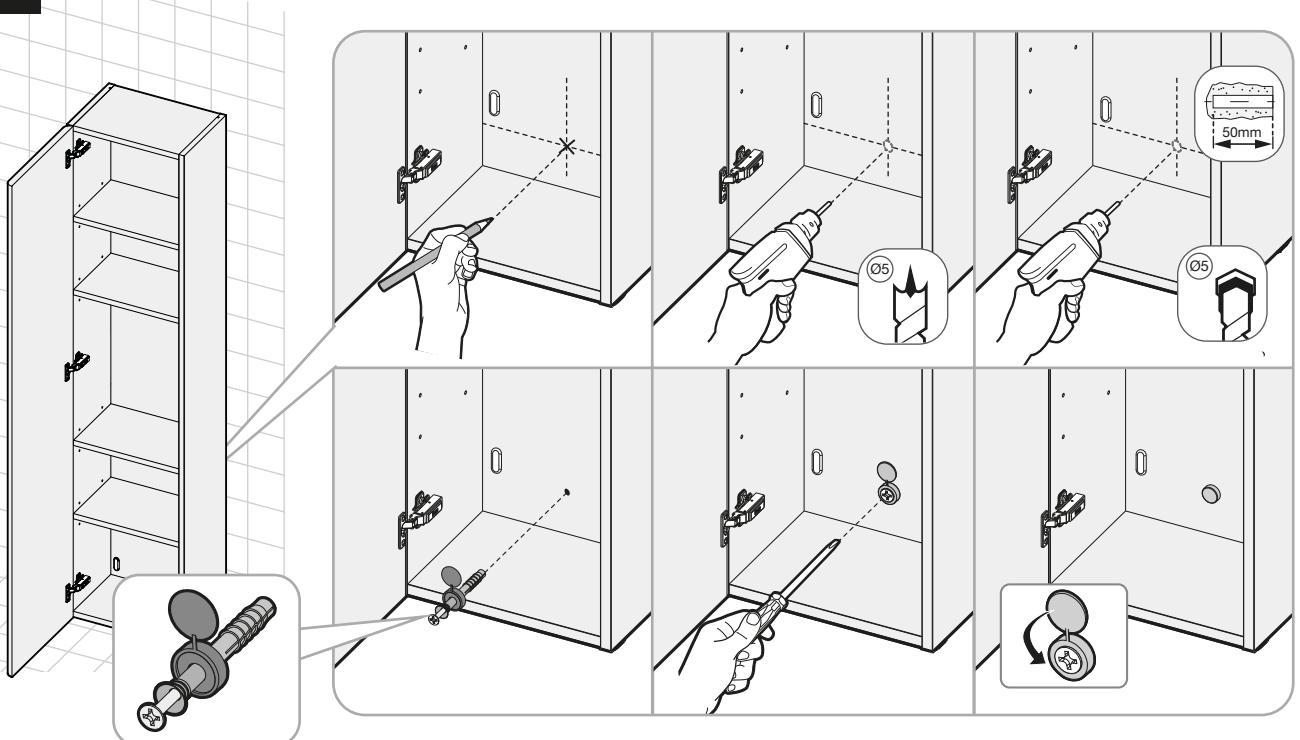
3



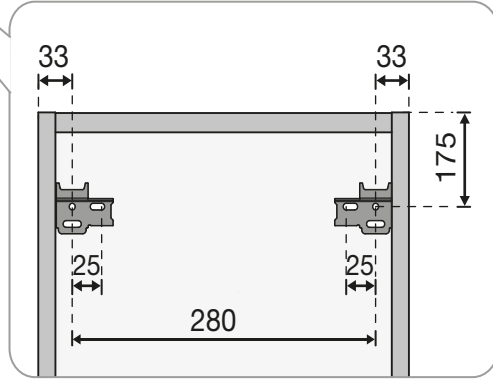
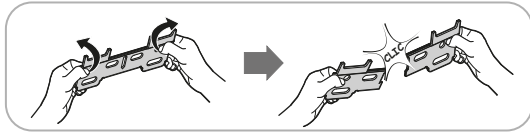
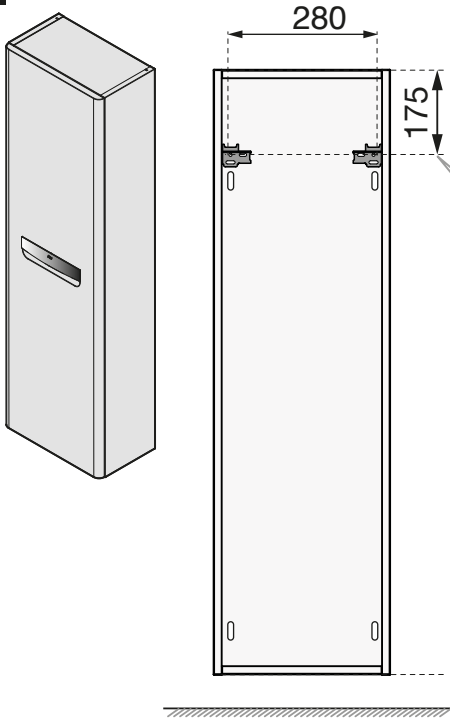
4



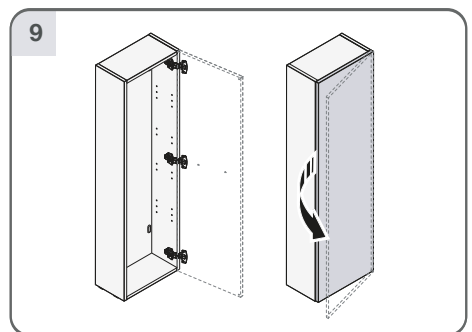
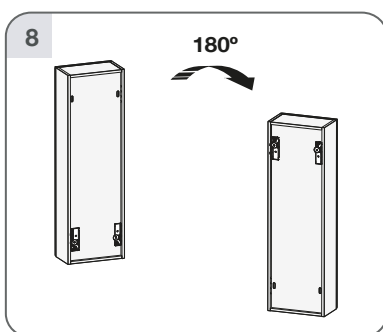
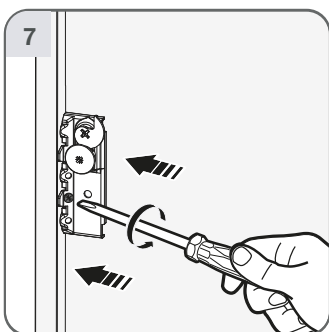
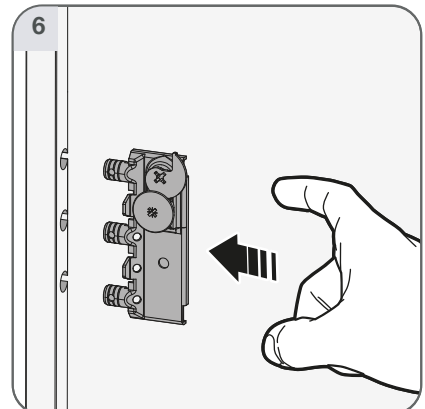
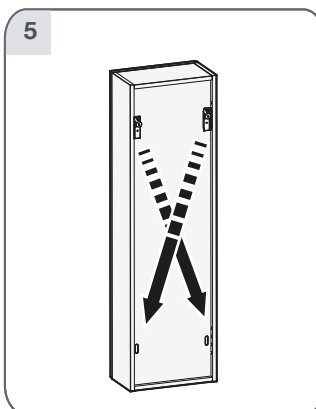
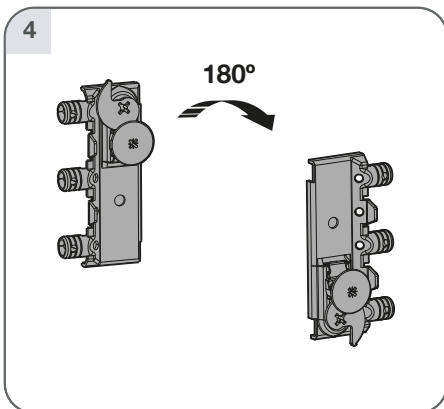
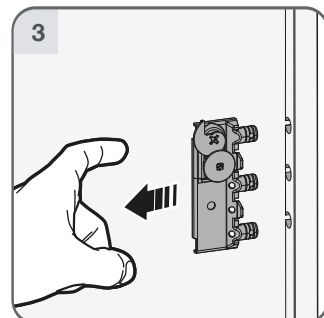
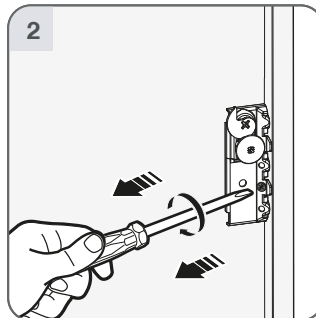
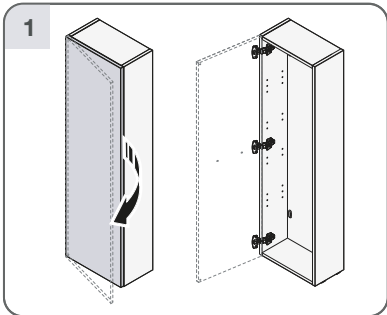
5



1

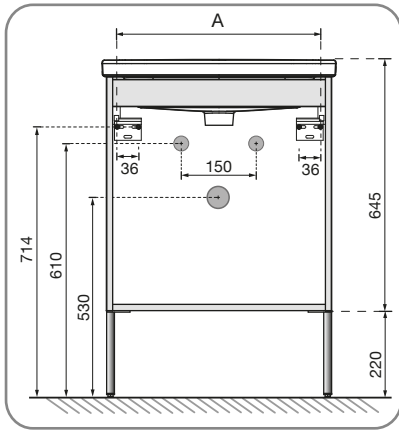


## 2 OPTIONAL

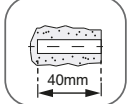
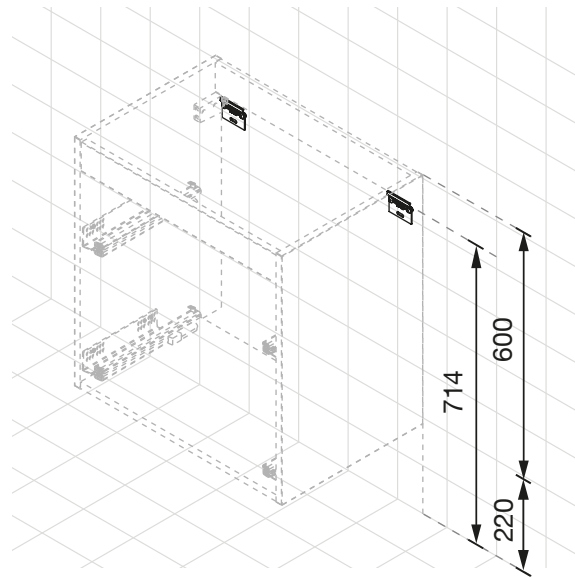




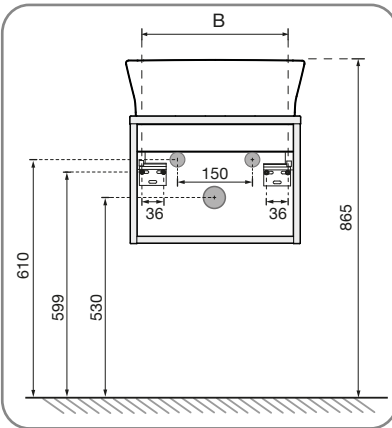
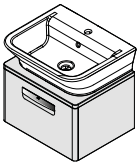
### 3A



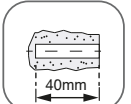
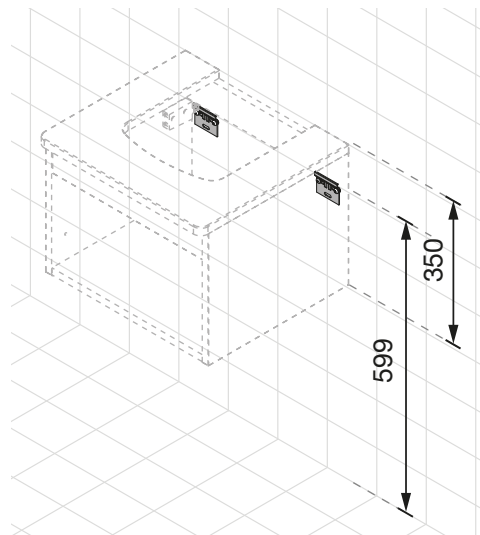
	A
855997...	517 mm
855998...	717 mm
855999...	917 mm



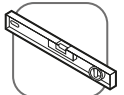
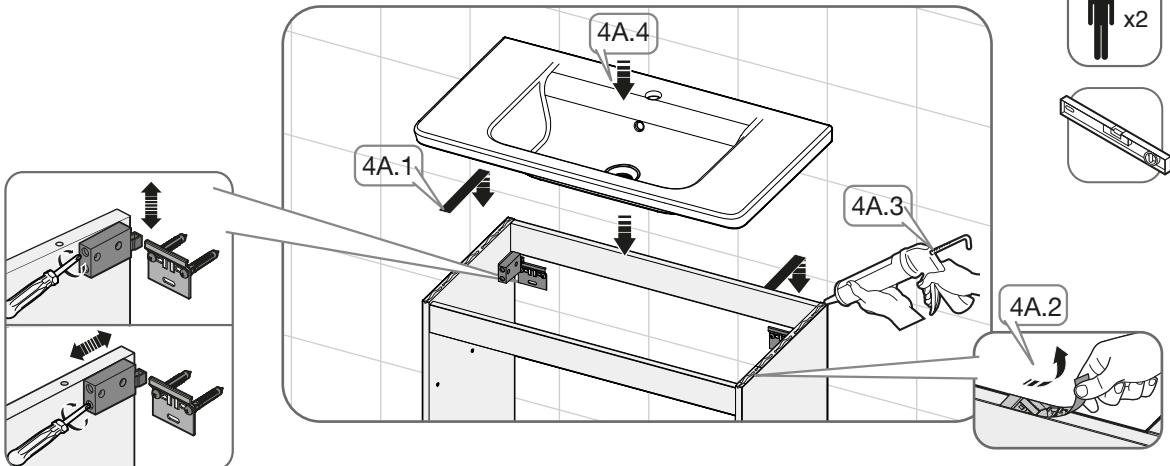
### 3B



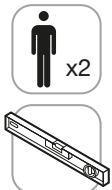
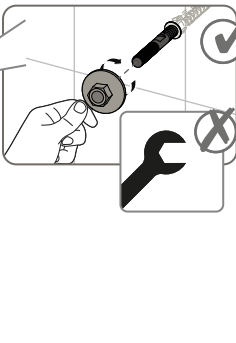
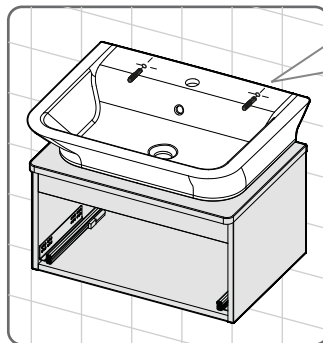
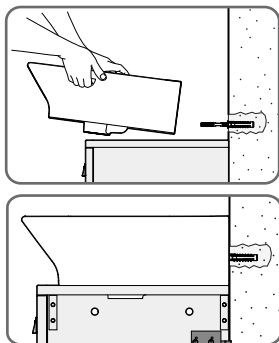
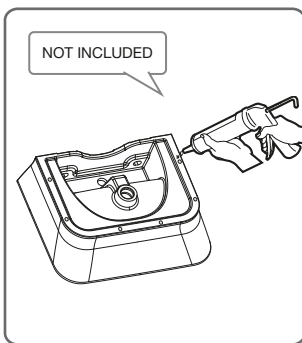
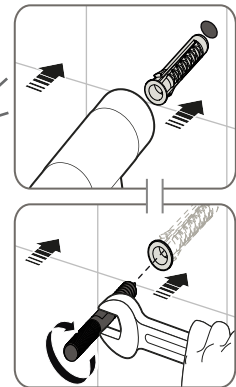
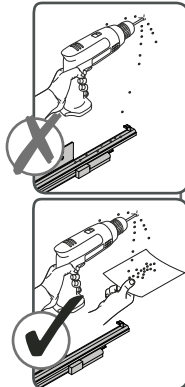
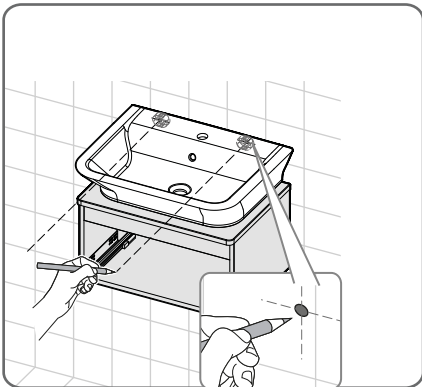
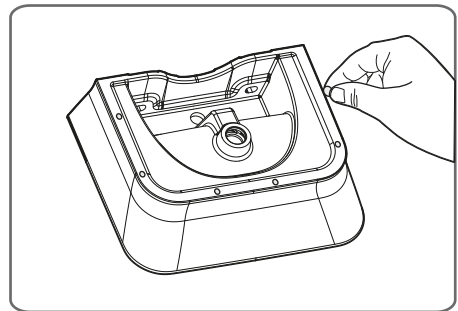
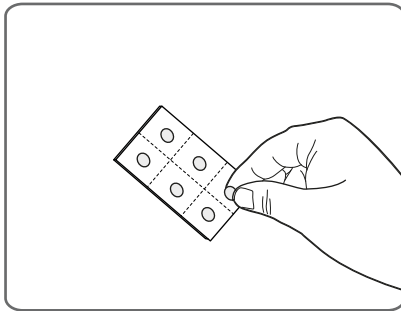
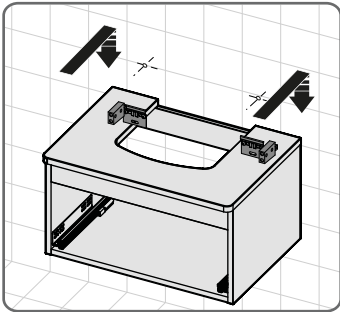
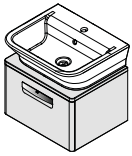
	B
856968...	367 mm
856967...	417 mm
856966...	467 mm
856965...	517 mm



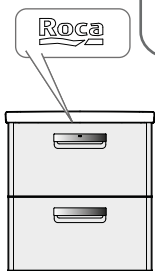
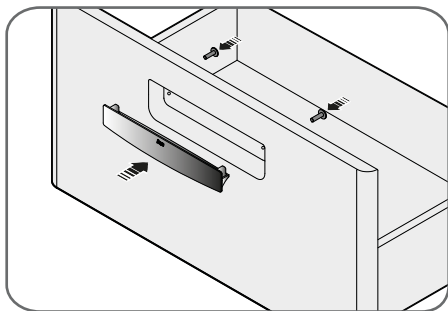
### 4A



4B



5



6

