

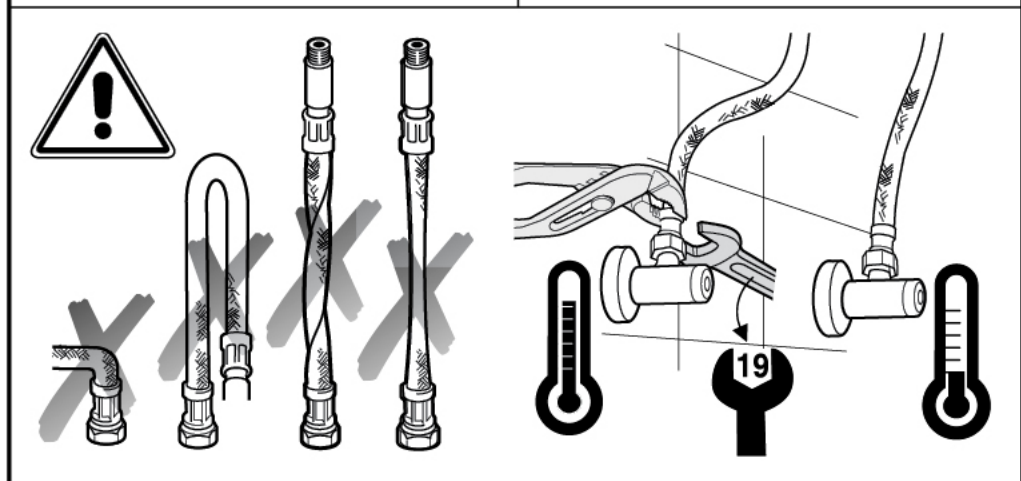
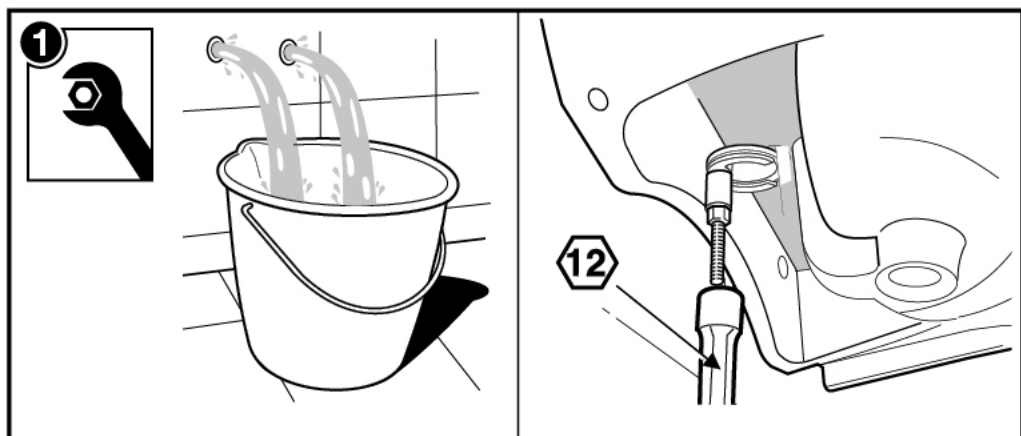















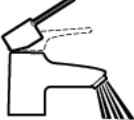

Roca

TARGA

A5A3260C0R

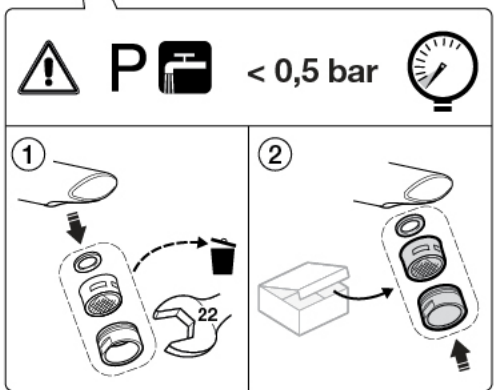
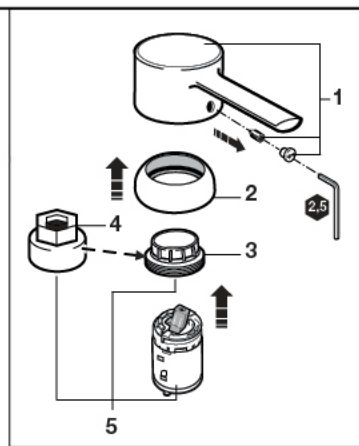
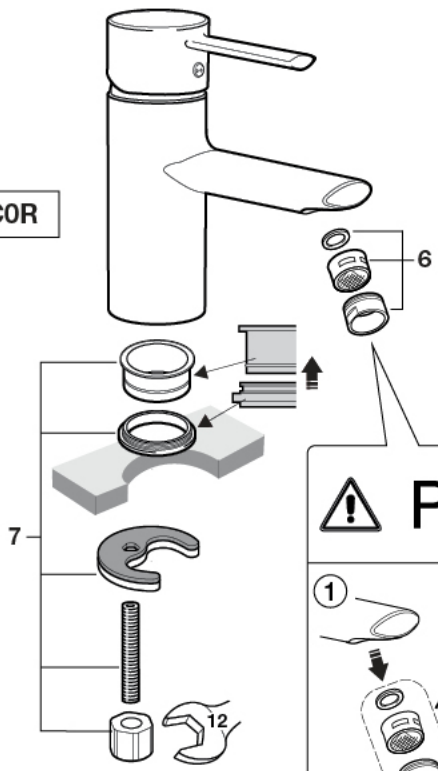
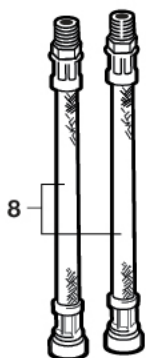




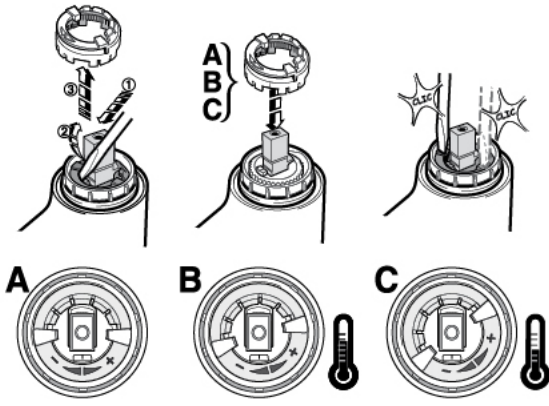
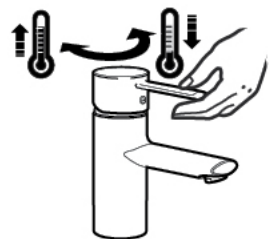
 P 	P bar	 MAX 10	
 P 	P bar	 5 MAX	3 2  
  T	°C	 80 MAX.	 65 50 
 Q (3 bar)	l/min	 12	



A5A3260C0R



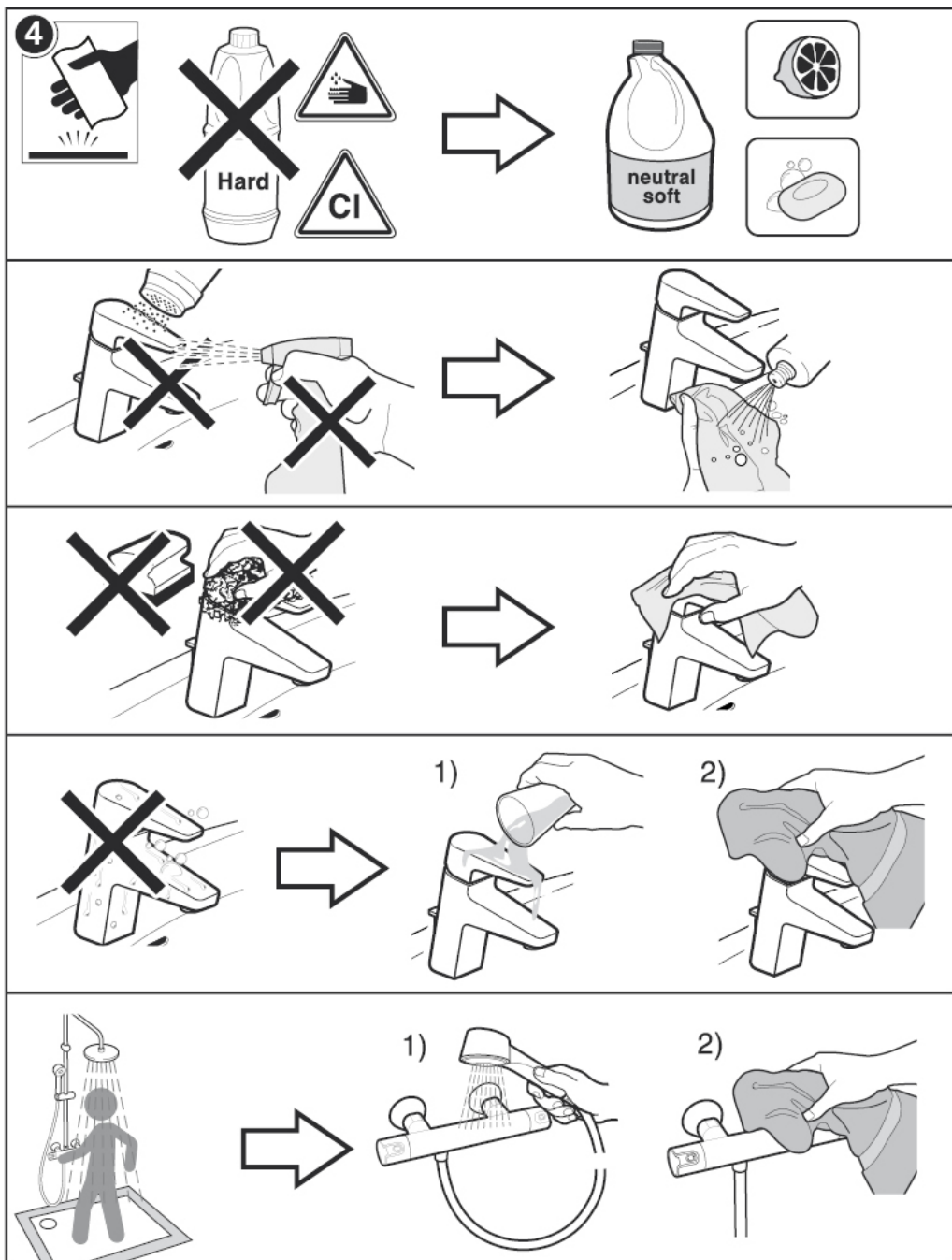
- | | | |
|----------------|----------------|----------------|
| 1 - AG0001200R | 4 - A525005407 | 7 - A525004403 |
| 2 - AG0085300R | 5 - AG0077807R | 8 - AG0092409R |
| 3 - A525023507 | 6 - AG0029400R | |



0%

Low consumption

100%



A623060107D



Roca Ltd
 Samson Road
 Hermitage Industrial Estate
 Coalville
 Leics
 LE65 3FP
 UK
 Tel number : 01530 830080
 www.uk.roca.com



productsupport@roca.net
 soporteproducto@roca.net