

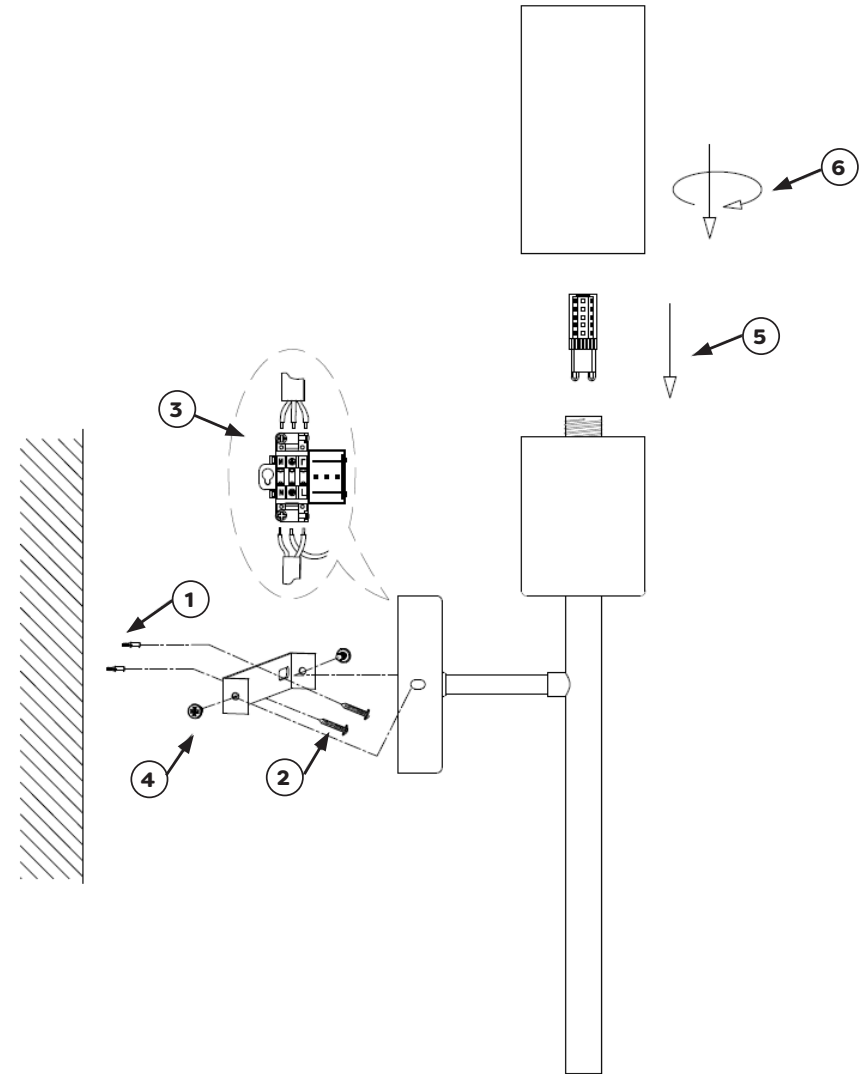
Revive Wall Light Pearl Black REVWL-PB

INSTALLATION INSTRUCTIONS

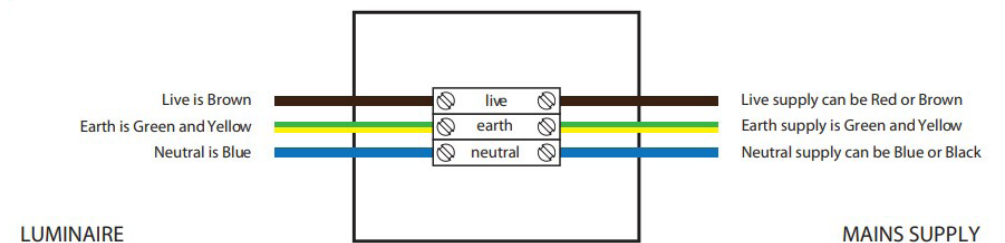
Please follow these care instructions to ensure your product retains it's high quality finish and please retain this leaflet for future reference.

ENSURE THE DOMESTIC ELECTRICAL MAINS SUPPLY TO WHICH THE CEILING LIGHT IS BEING CONNECTED IS TURNED OFF!

1. Position the ceiling light in a suitable location (according to the zonal diagram) ensuring that the domestic electrical mains supply is within reach of the electrical entry point of the product.
2. Carefully mark the position of the ceiling light mounting points using a soft pencil. Please ensure that all marked mounting points accurately match up with the fixing points on the ceiling light.
3. Before drilling, ensure there are no hidden cables or pipes behind the mounting points. Using a suitable drill bit, drill holes in the marked positions to a suitable depth.
4. Insert wall plugs level with the surface of the ceiling. NB. For plasterboard ceilings, specialist fixings should be purchased.
5. Line up product with marked fixing points, feed mains supply through the lights base and screw into place.
6. Connect the domestic mains supply to the terminal block according to the wiring diagram.
7. Switch the domestic electrical mains supply back on.



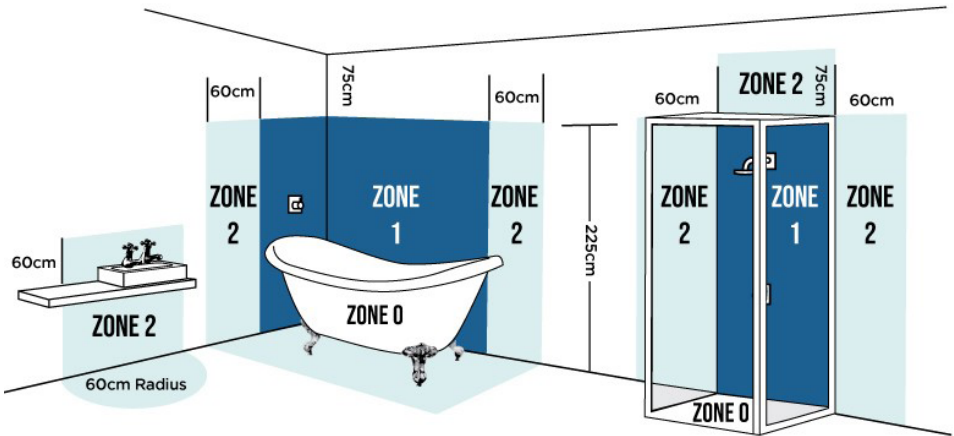
Electrical Connection



Maintenance & Cleaning

Caution - Always disconnect power supply when servicing or cleaning.

- Use a clean dry soft cloth.
- Do not use abrasive cloths or polishes as this may cause damage to the product.
- Glass shades should only be washed with in lukewarm water and dried thoroughly before refitting



Safety Information

We always recommend installation by a qualified electrician.

- This product is produced in conformity with all relevant safety regulations.
- To reduce the risk of fire, electrical shock, or personal injury, always turn off and unplug lamp and allow it to cool prior to replacing light bulb.
- Ensure the power is switched off from the mains before cleaning or carrying out maintenance.
- Do not attach your new light fixture wiring to any existing wiring that shows signs of wear and tear,
- When changing the bulb ensure that the power supply has been disconnected and the bulb has cooled down before replacing.