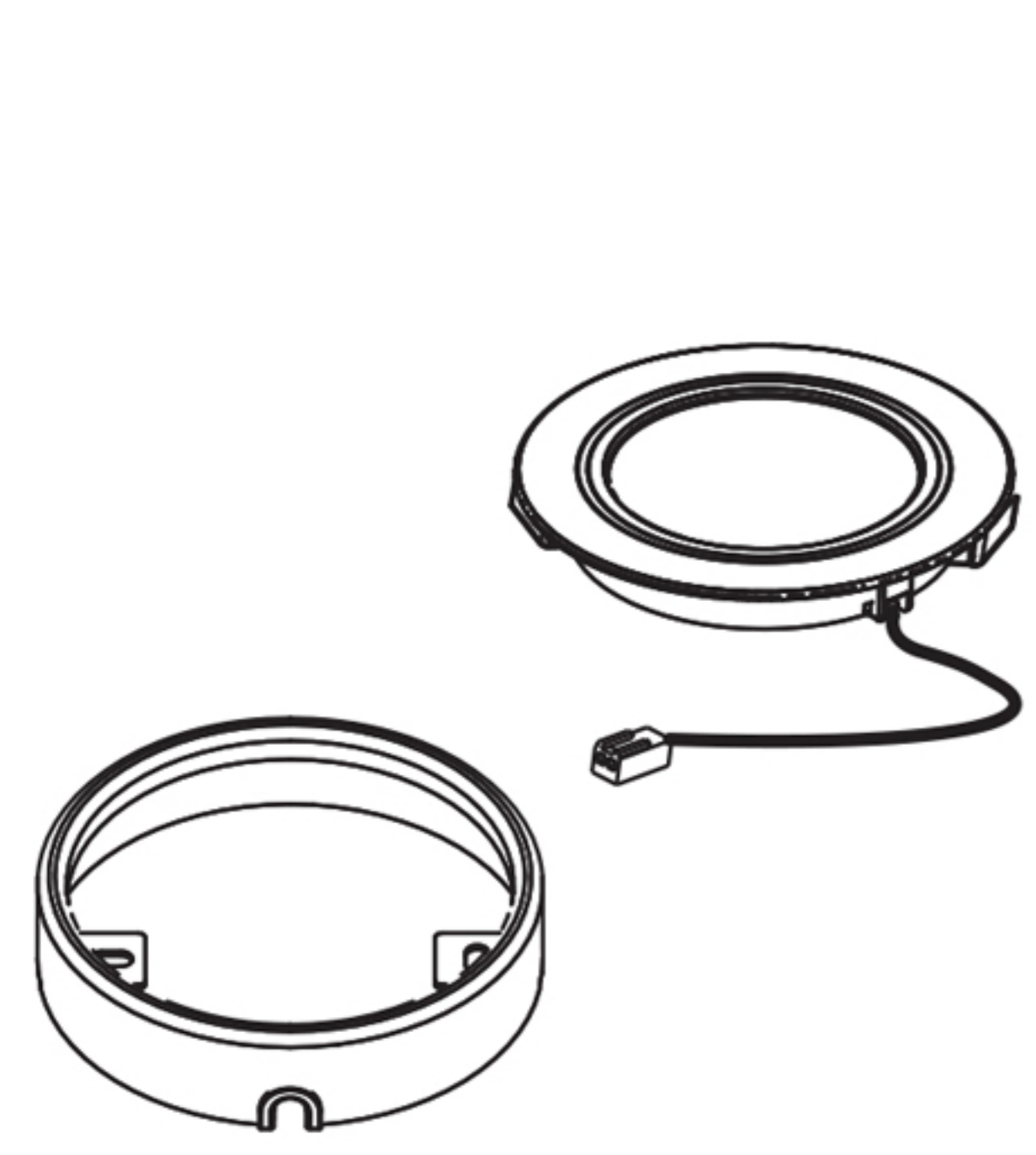
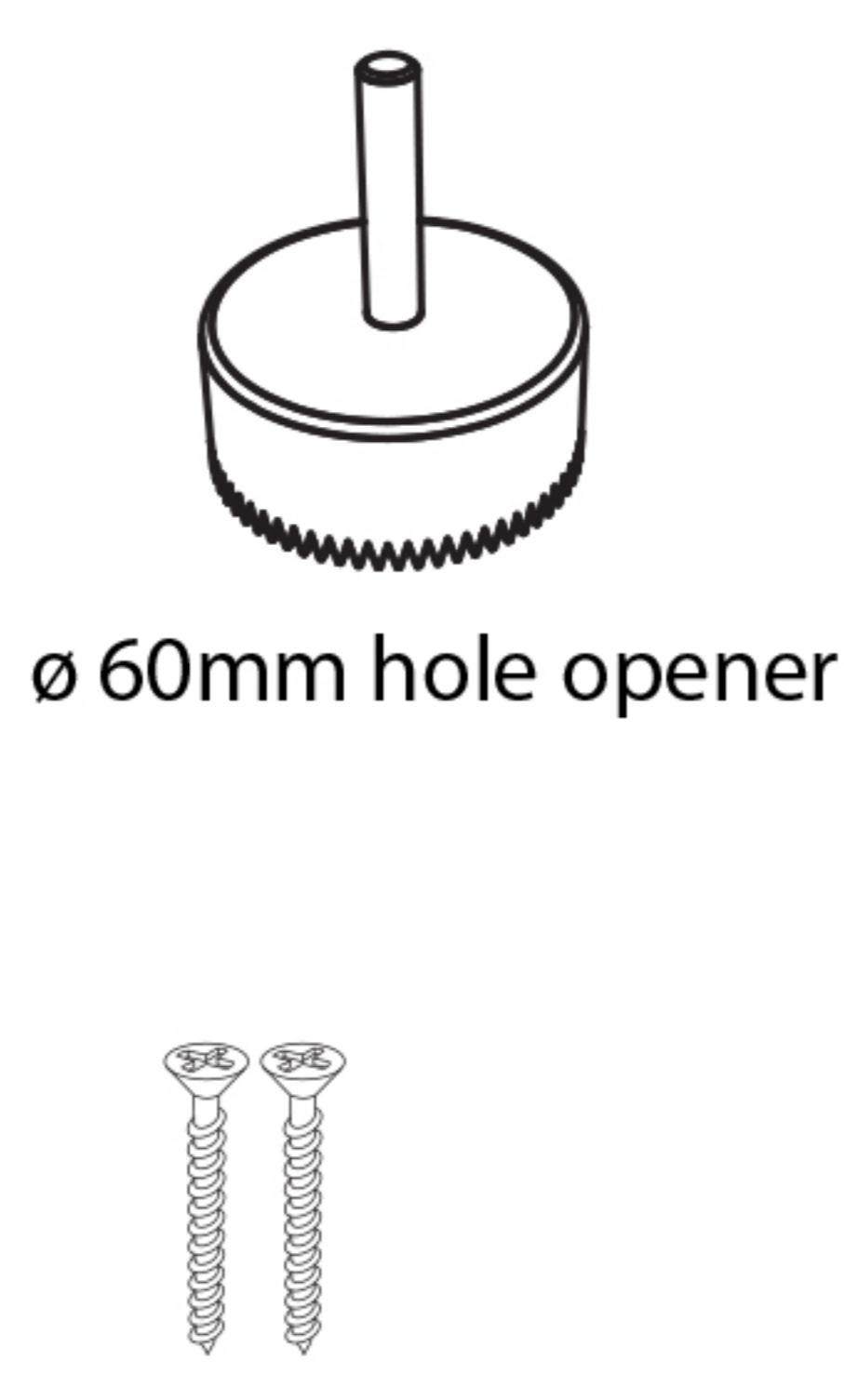


IMPORTANT : please read these instructions before commencing installation and retain for future reference.

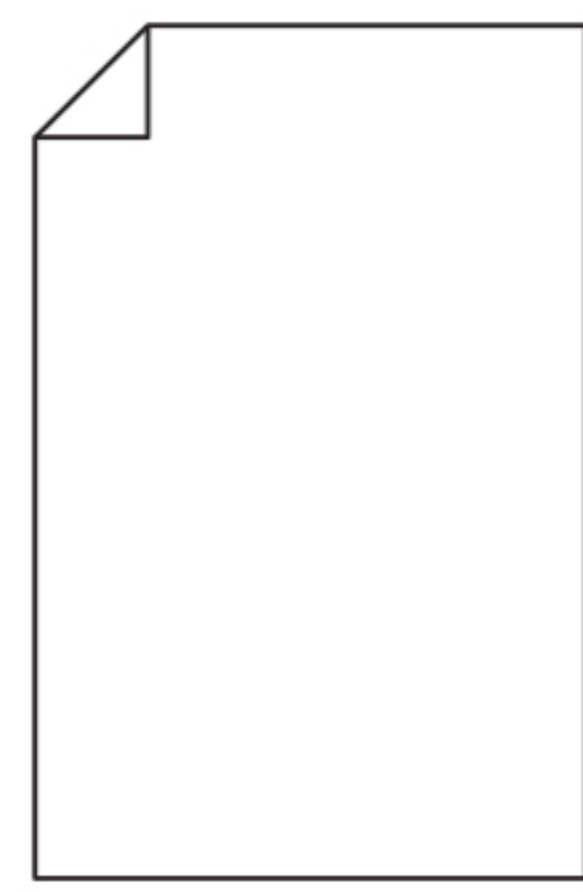
Components



1 x SE21100



2 x Screws



1 x Fitting Instructions



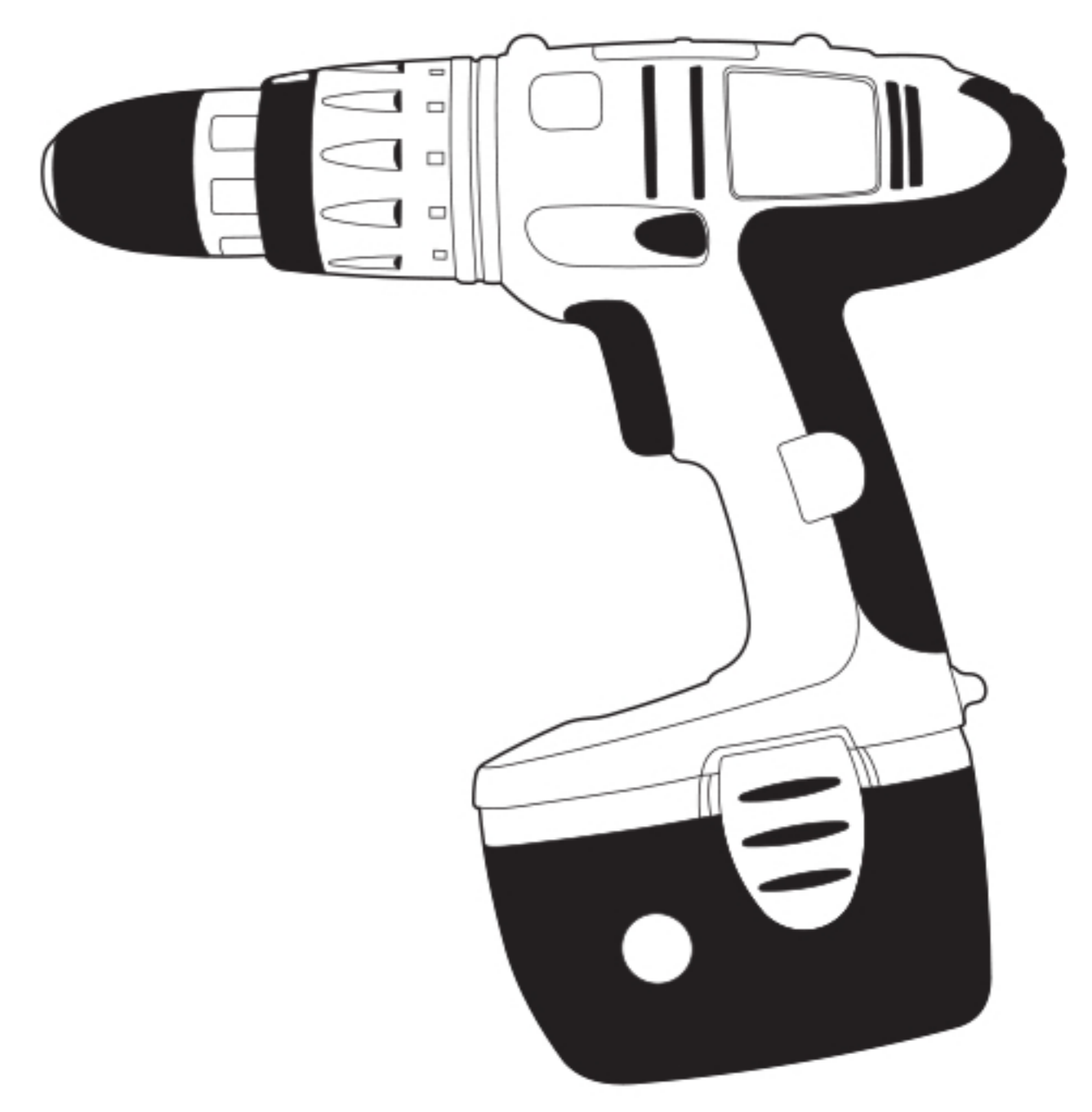
Pencil



10mm Drill Bit



PZ1 Screw Bit



Power Drill

Tools required

Important safety information

Please read these instructions carefully before attempting to install this product. It is advisable to keep these instructions in a safe place for further reference.

We recommend that you consult a qualified electrician. All electrical installations must be carried out in accordance with current IEE wiring regulations (BS7671).

These products must not be modified, if any modifications are made, it may invalidate the warranty and may render the product unsafe. These LED lights operate low voltage (24V).

Do not wire the individual LED light fittings directly to the mains. This product is for indoor use only. Keep out of moisture and use only in dry rooms.

- If in doubt installation must be carried out by a qualified electrician.
- Install on smooth flat surface(s) only.
- The Wattage of this product is 1.65W. Make sure that the LED driver used with these fittings has an adequate max wattage.

Safety instructions

1. Before commencing installation or maintenance, isolate the main electrical supply for the appropriate circuit at the fuse board.
2. This product requires a 24V LED driver.
3. The light should be mounted onto a secure surface.
4. Position lights where they will not be exposed to steam or splashes etc.
5. Suitable for furniture lighting.
6. When the lamp expires the fitting must be replaced.
7. Class III safety extra low voltage (SELV).

Waste Electrical & Electronic Equipment (WEEE)

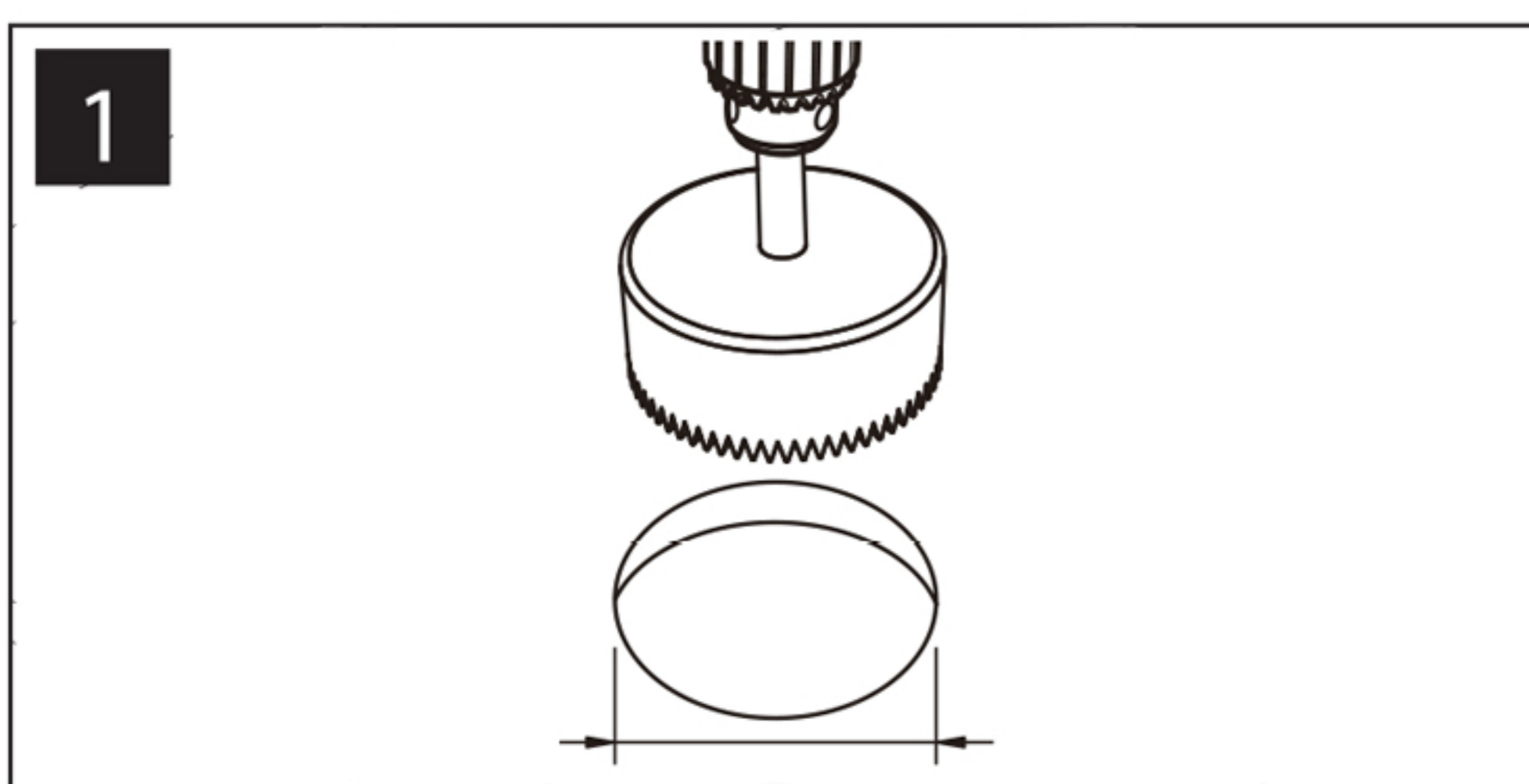
The Symbol on the product, or on the document accompanying the product, the crossed out wheellie bin symbol, indicated that this product may not be treated as household waste. Instead it shall be handed over to the applicable collection point for the recycling of electrical and electronic waste.



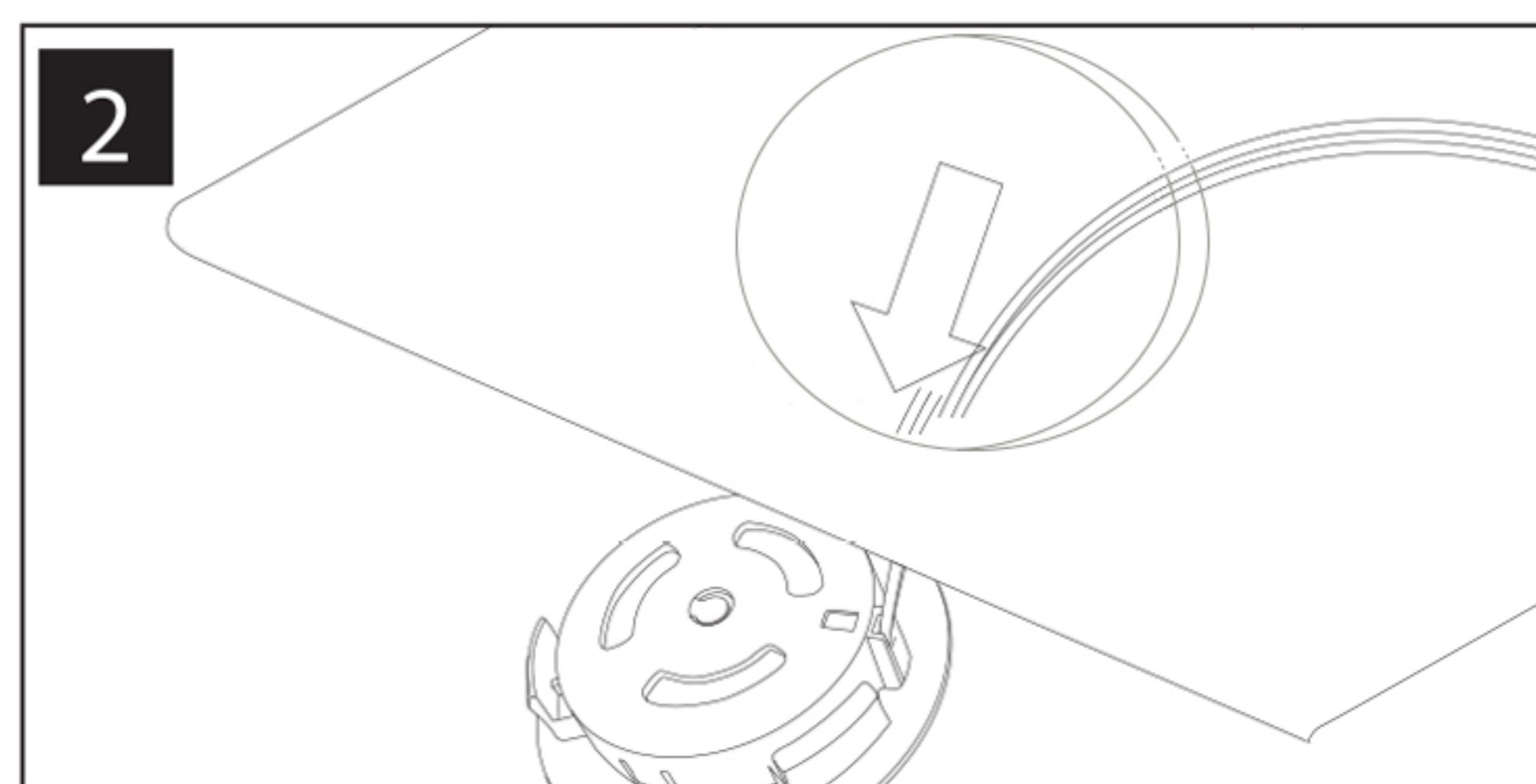
RoHS Compliant ✓



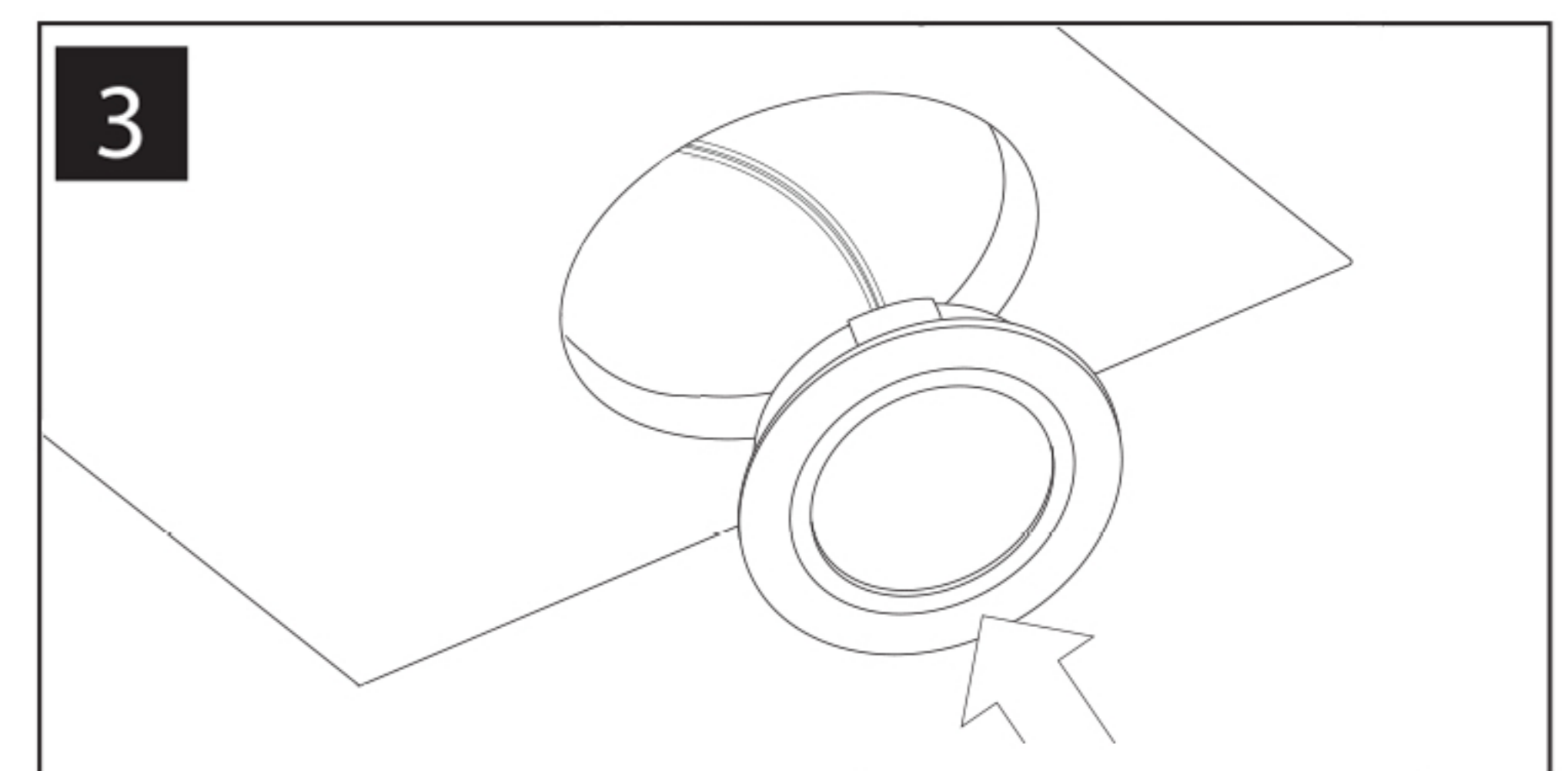
Installation - Recessing



Drill an installation hole of 60mm \varnothing

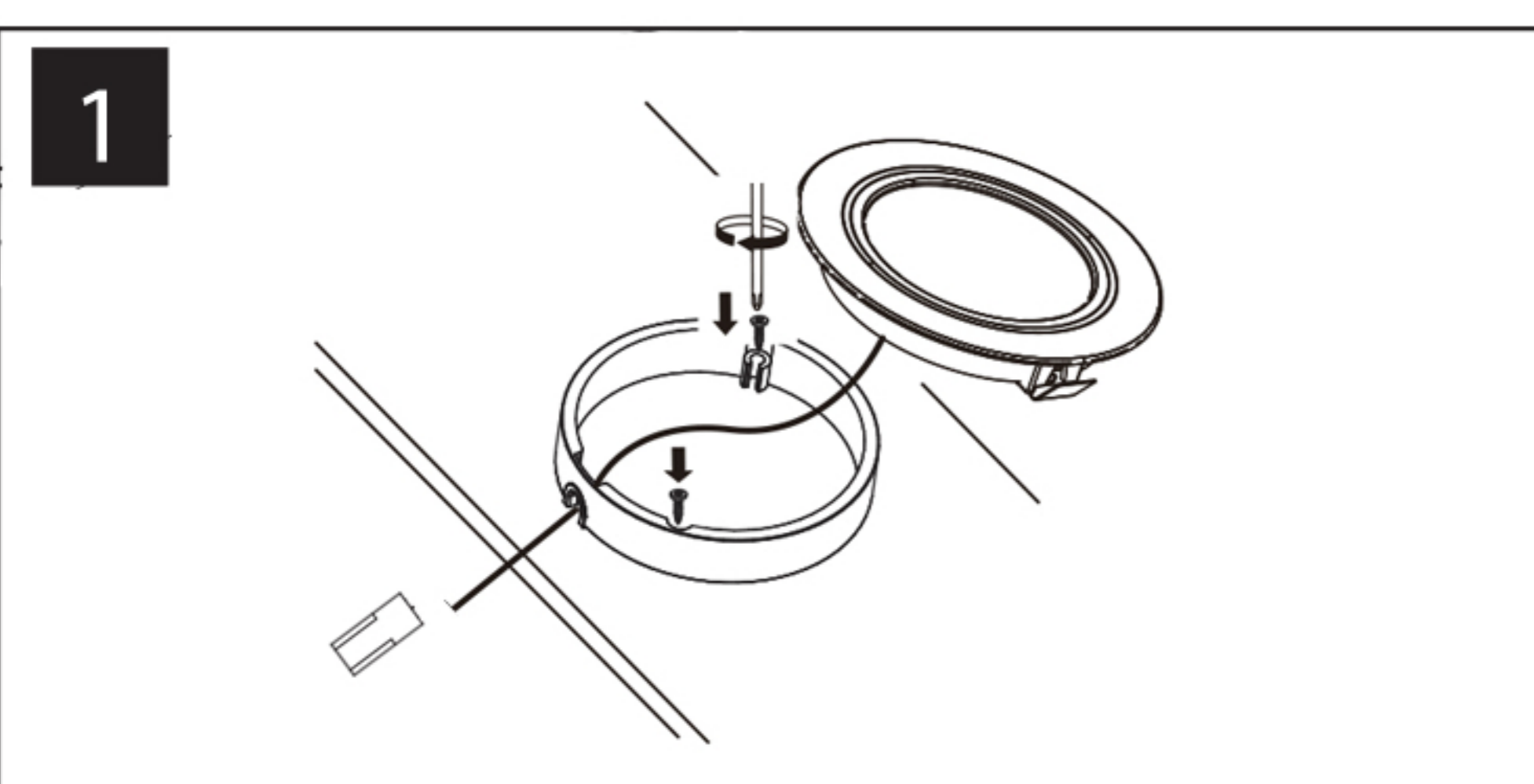


Choose the required colour temperature. Then feed the attached cable through the cut hole.

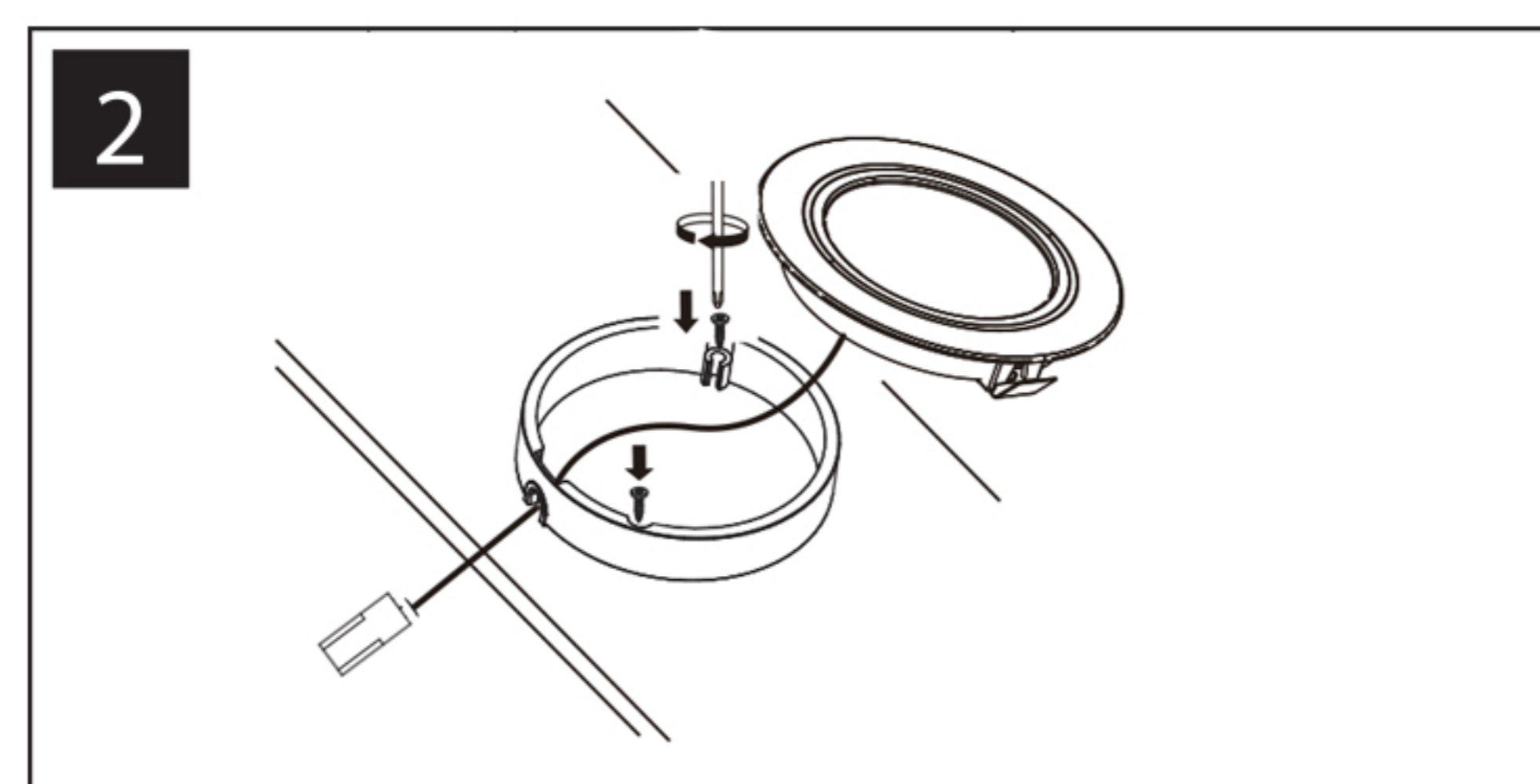


Insert the fitting into the cut hole and push until secure in place.

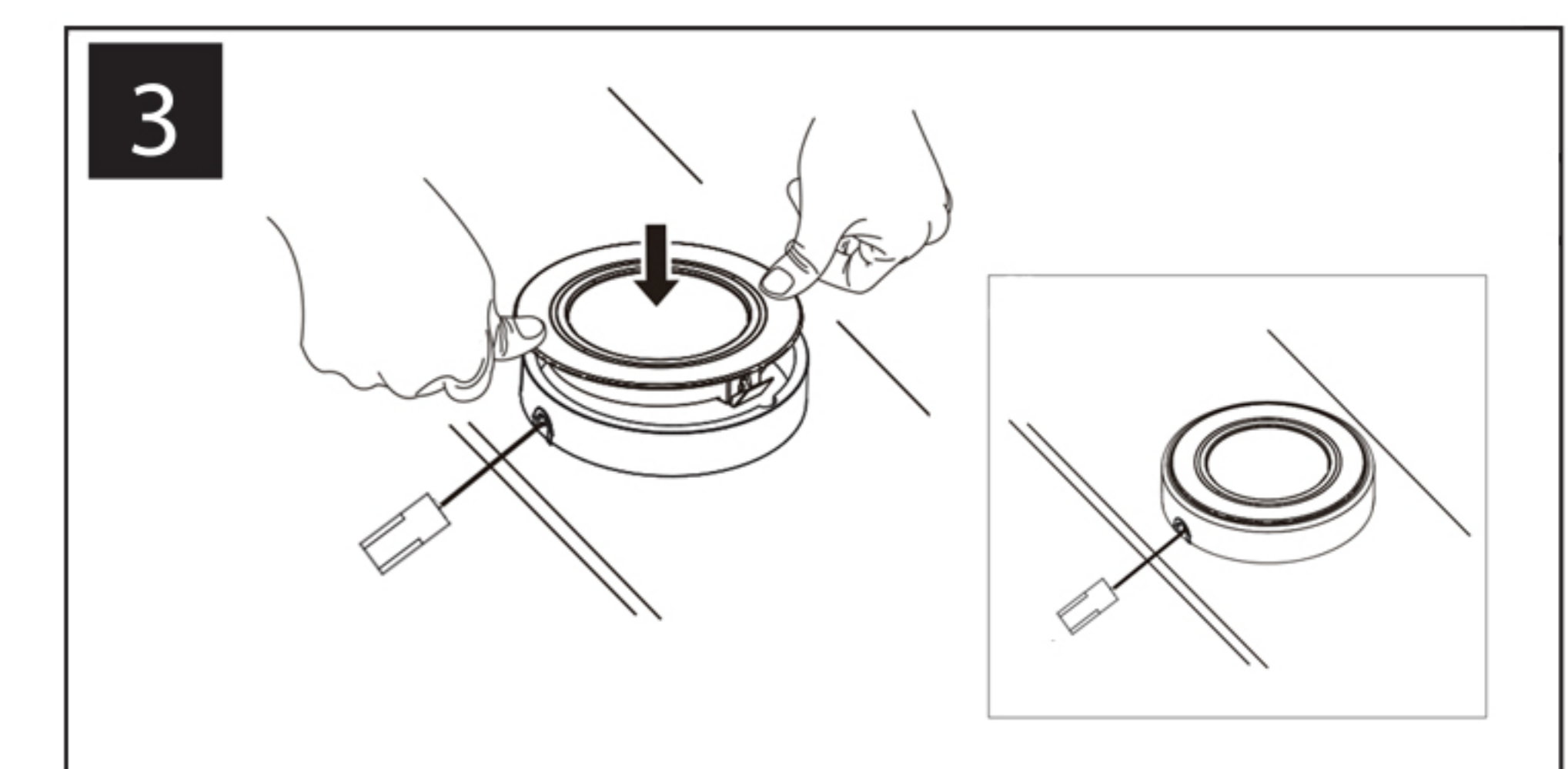
Installation - Surface Mounting



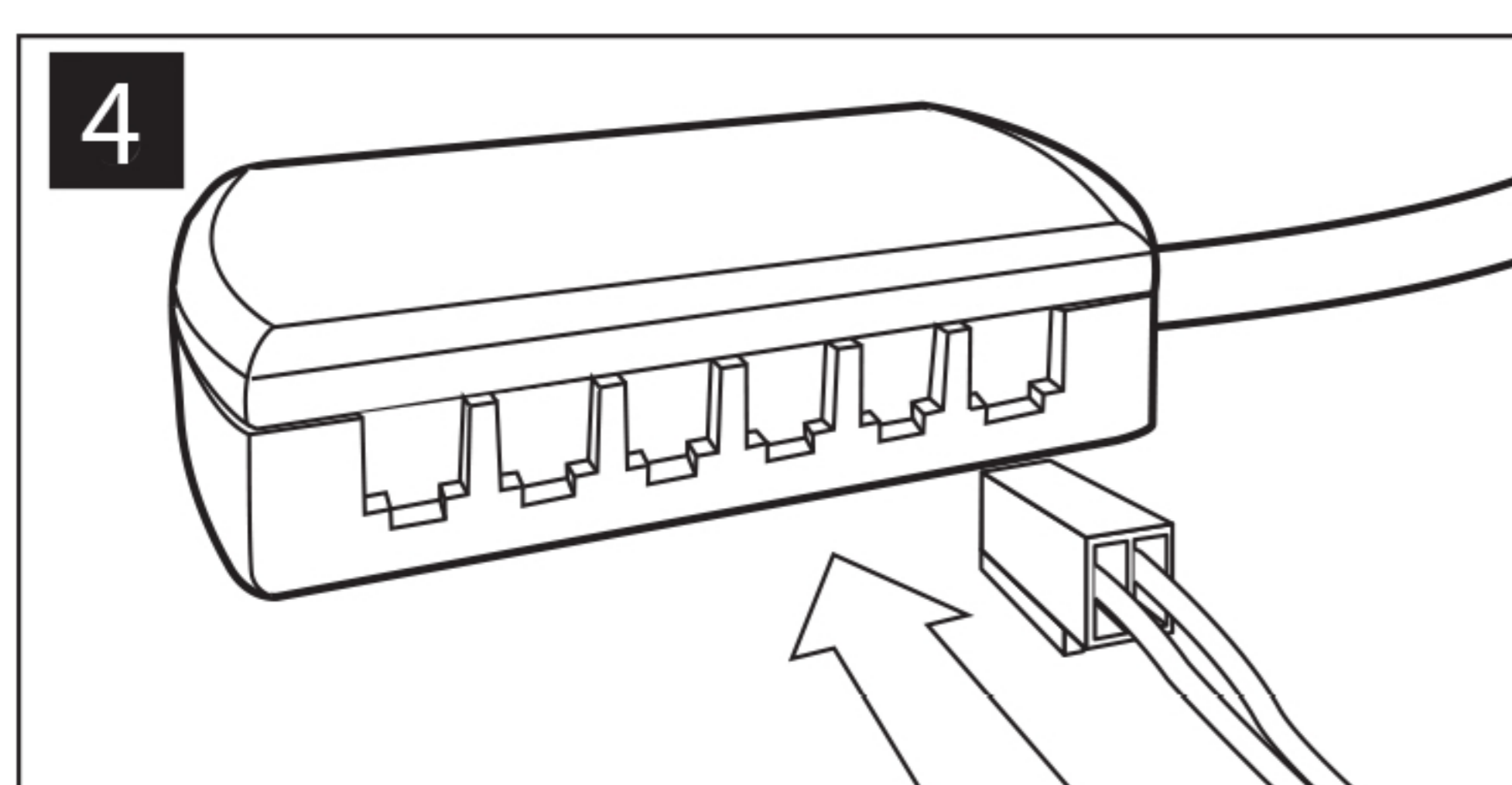
Measure and mark the desired positioning of your light fitting. If you wish to completely hide the wire then create a small hole in the mounting board for the wire to feed through.



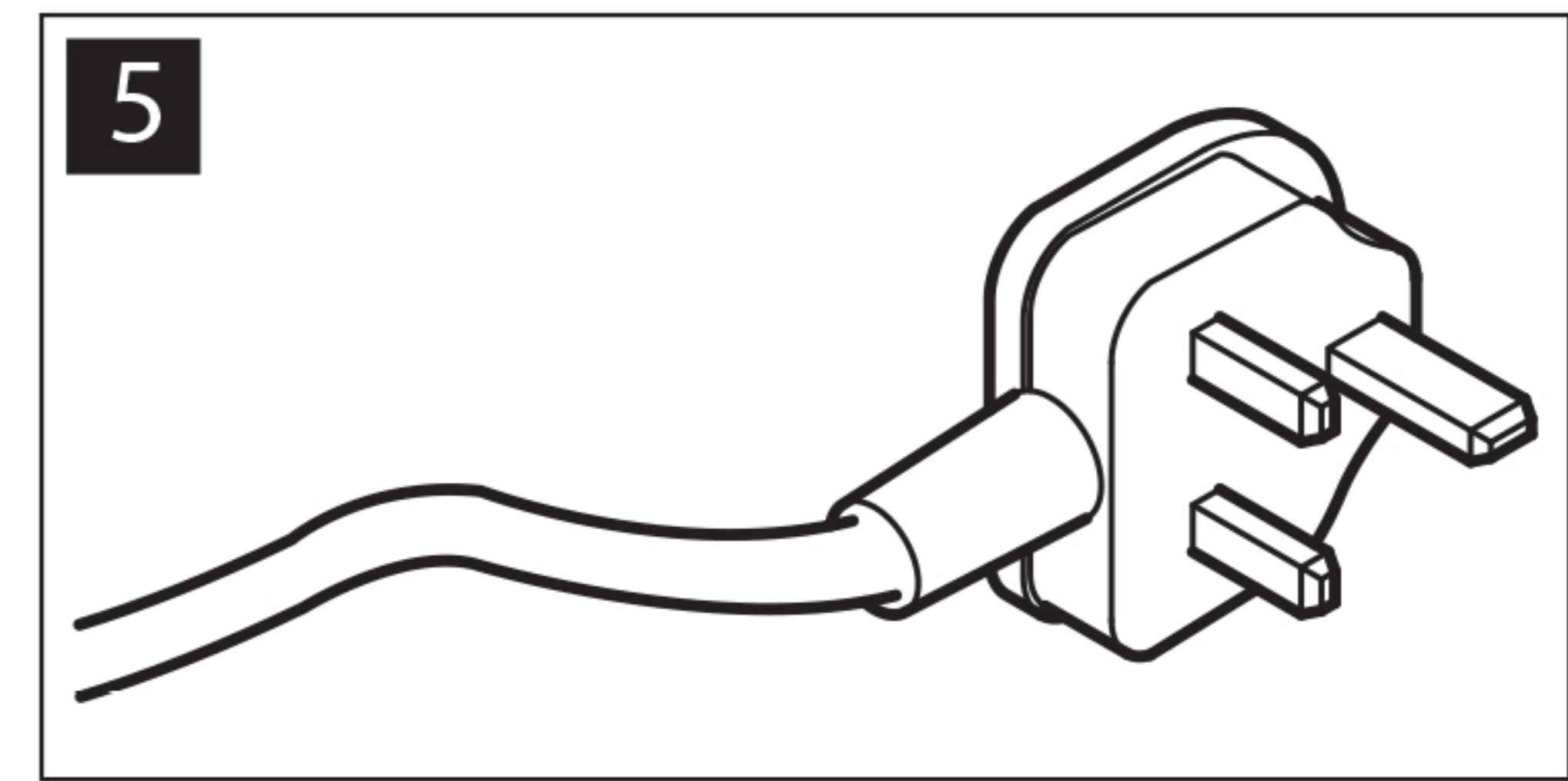
Ensure the wire for the fitting is placed through the wire feed or through the cut hole in the mounting board. Then using the screws, fix the mounting bracket to the mounting surface as shown above.



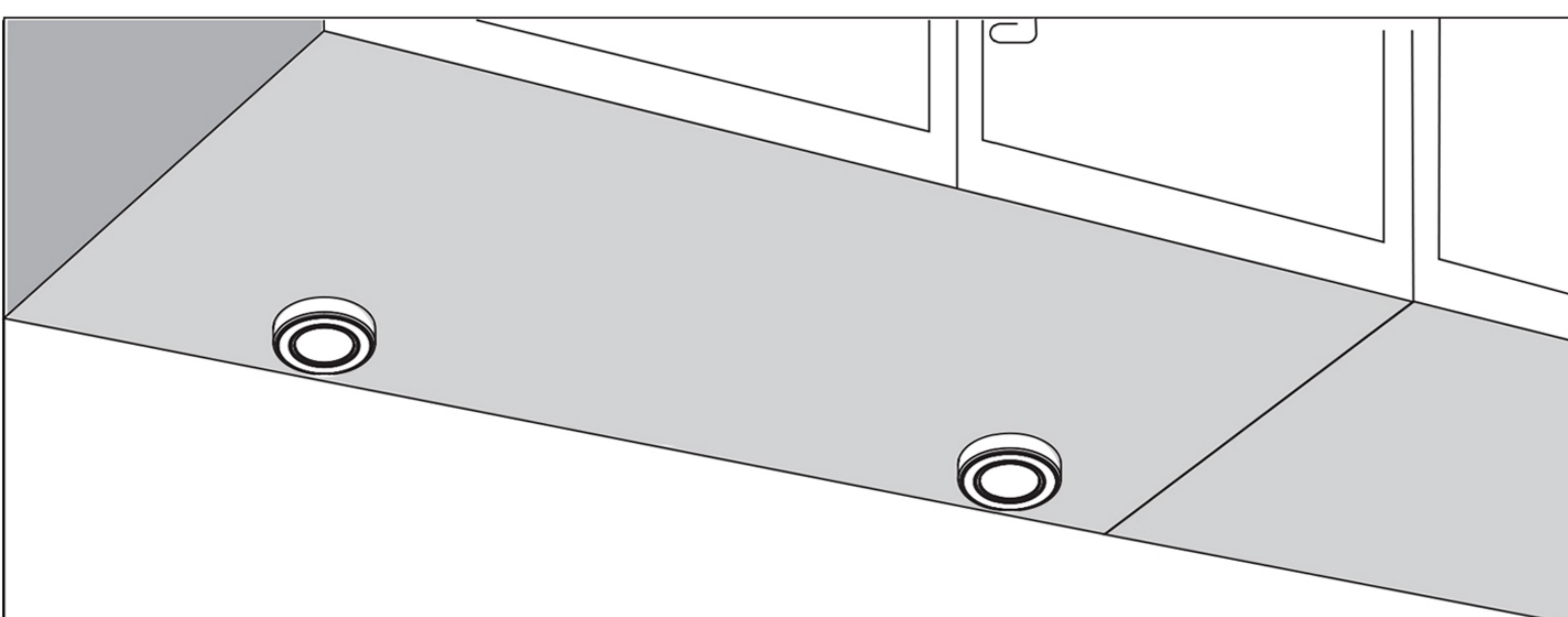
Select the required colour temperature then carefully push the light fitting into the mounting bracket until it clips into place.



Plug the white connector on the end of the cable into the 24V LED driver distributor block. Beware not to exceed the wattage of the LED driver, the max wattage will be displayed on the 24V LED driver and the fitting's wattage requirement will be stated on the item.



Operation



The driver is to be situated at the top of the kitchen wall cabinet and all fittings are to be individually connected back to the distribution ports on the driver.