

TRADITIONAL DUAL LEVER TAP ANTIQUE BRASS

TBL3AB/WH



The traditional bridge kitchen mixer tap sits perfectly within a traditional styled shaker kitchen scheme. With the choice of white or chrome handles, the Traditional bridge mixer beautifully complements a ceramic farmhouse kitchen sink.

- This tap model features an Antique Brass finish with white handles
- Suitable for all pressure water systems
- Featuring an anti-splash spout with honeycomb aerator design which mixes air with water to emit a water flow with no splash

RANGEMASTER SINKS & TAPS

Overall Height (mm)	355
Spout Reach (mm)	192
Spout Height (mm)	243
Spout Rotation Range	360°
Handle Type	Dual Lever
Colour	Antique Brass
Bar Pressure Suitability	All Pressure
Min. Bar Pressure	0.30
Max. Bar Pressure	5.50
Mixed Flow Rate at 3 Bar Pressure (l/min)	17.07
Flow Type	Dual Flow
Recommended Hot Water Temperature	46°C
Maximum Hot Water Temperature	70°C
Handle Control	Quarter Turn
Centre Distance (mm)	-
Cartridge Type	Ceramic Disc Cartridge
Aerator Type	Honeycomb Aerator
Inlet Pipes	Fixed Threaded Inlets
Anti-Splash Spout	Yes
Pull Out Spray	No
WRAS Approved	No
Product Code	TBL3AB/WH
Barcode	5015834055763

Date of download: March 20, 2025

AGA Rangemaster continuously seeks improvements in specification, design and production of products and thus, alterations take place periodically. Whilst every effort is made to produce up to date resources, the information included here is intended as a guide. Always refer to the installation instructions when fitting, installation work should be completed by a professional tradesman.

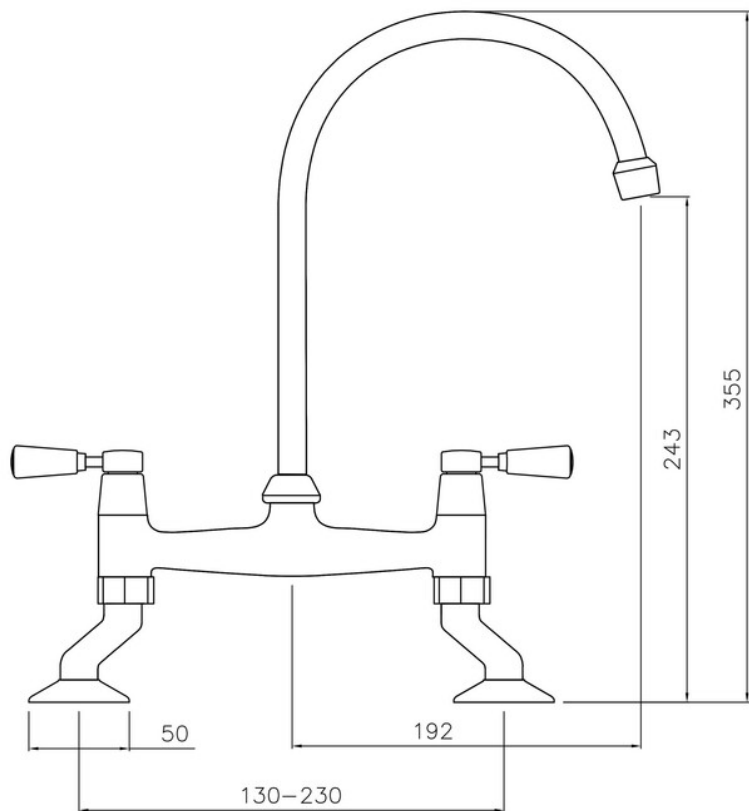
TRADITIONAL DUAL LEVER TAP ANTIQUE BRASS

TBL3AB/WH

RANGEMASTER

SINKS & TAPS

Technical Drawing



Date of download: March 20, 2025

AGA Rangemaster continuously seeks improvements in specification, design and production of products and thus, alterations take place periodically. Whilst every effort is made to produce up to date resources, the information included here is intended as a guide. Always refer to the installation instructions when fitting, installation work should be completed by a professional tradesman.