

ESTUARY DUAL LEVER TAP ANTIQUE BRASS

TES1BB/



Incorporating traditional styling, the Estuary kitchen tap features elegant dual lever handles with quarter turn function ensuring a precise flow of water at the turn of the handle. Estuary is available in four finishes; chrome, brushed, brushed copper & brushed brass.

- Suitable for all pressure water systems
- Featuring an anti-splash spout with honeycomb aerator design which mixes air with water to emit a water flow with no splash

RANGEMASTER

SINKS & TAPS

Overall Height (mm)	361
Spout Reach (mm)	194
Spout Height (mm)	230
Spout Rotation Range	360°
Handle Type	Dual Lever
Colour	Antique Brass
Bar Pressure Suitability	All Pressure
Min. Bar Pressure	0.30
Max. Bar Pressure	5.50
Mixed Flow Rate at 3 Bar Pressure (l/min)	15.92
Flow Type	Dual Flow
Recommended Hot Water Temperature	46°C
Maximum Hot Water Temperature	70°C
Handle Control	Quarter Turn
Centre Distance (mm)	-
Cartridge Type	Ceramic Disc Cartridge
Aerator Type	Honeycomb Aerator
Inlet Pipes	1/2" Stainless Flexible Hoses
Anti-Splash Spout	Yes
Pull Out Spray	No
WRAS Approved	No
Product Code	TES1BB/
Barcode	5015834055725

Date of download: March 20, 2025

AGA Rangemaster continuously seeks improvements in specification, design and production of products and thus, alterations take place periodically. Whilst every effort is made to produce up to date resources, the information included here is intended as a guide. Always refer to the installation instructions when fitting, installation work should be completed by a professional tradesman.

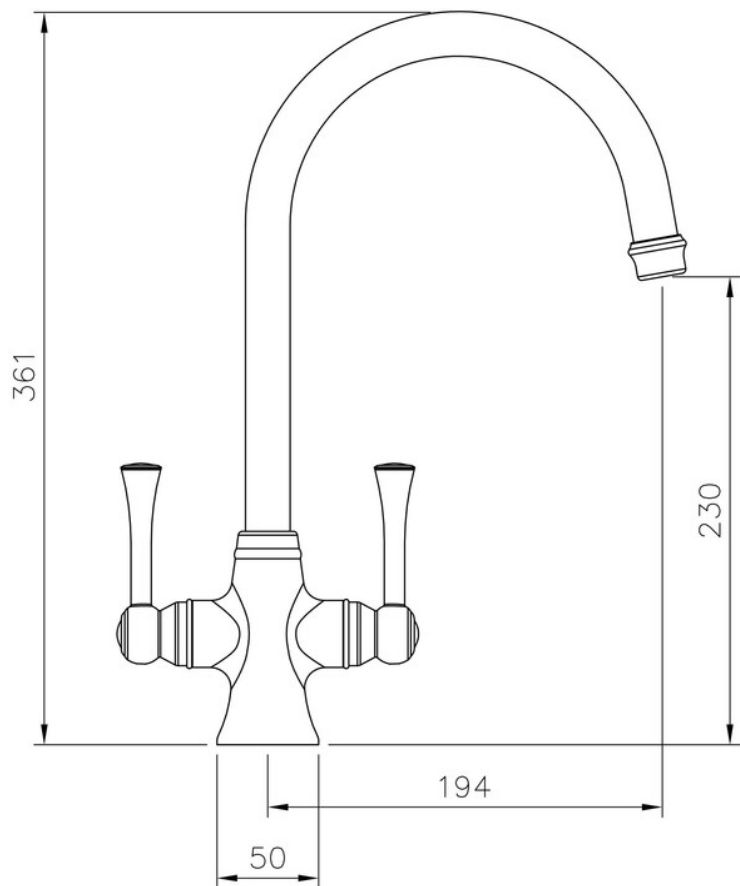
ESTUARY DUAL LEVER TAP ANTIQUE BRASS

TES1BB/

RANGEMASTER

SINKS & TAPS

Technical Drawing



Date of download: March 20, 2025

AGA Rangemaster continuously seeks improvements in specification, design and production of products and thus, alterations take place periodically. Whilst every effort is made to produce up to date resources, the information included here is intended as a guide. Always refer to the installation instructions when fitting, installation work should be completed by a professional tradesman.