

OAKLAND 18/10 STAINLESS STEEL SINK

OAK1052/



Size: 1000 x 500 mm

Oakland is a popular choice when designing a new kitchen thanks to its large bowls and practical drainer design, which is now bolstered with a new reversible collection offering more flexibility when specifying projects.

- Micro-sheen finish
- New reversible drainer
- Hygienic rectangular overflow design
- Waste kit and cover included

RANGEMASTER

SINKS & TAPS

Material	18/10 Stainless Steel
Material Gauge	0.9
Material Finish Bowl	Micro-Sheen™ Soft Brushed Finish
Material Finish Drainer	Micro-Sheen™ Soft Brushed Finish
Drainer Position	Reversible
Overall Length (mm)	1000
Overall Width (mm)	500
Main Bowl Length (mm)	340
Main Bowl Width (mm)	400
Main Bowl Depth (mm)	205
Second Bowl Length (mm)	170
Second Bowl Width (mm)	300
Second Bowl Depth (mm)	135
Tap hole Size (mm)	1 x 35
Waste Size (mm)	2 x 90
Waste Kit	Included with sink (2 x 90mm BSW and overflow kit)
Min. Base Unit (mm)	600
Cutout Size Length (mm)	980
Cutout Size Width (mm)	480
Warranty Sinks (years)	25
Product Code	OAK1052/
Barcode	5015834055619

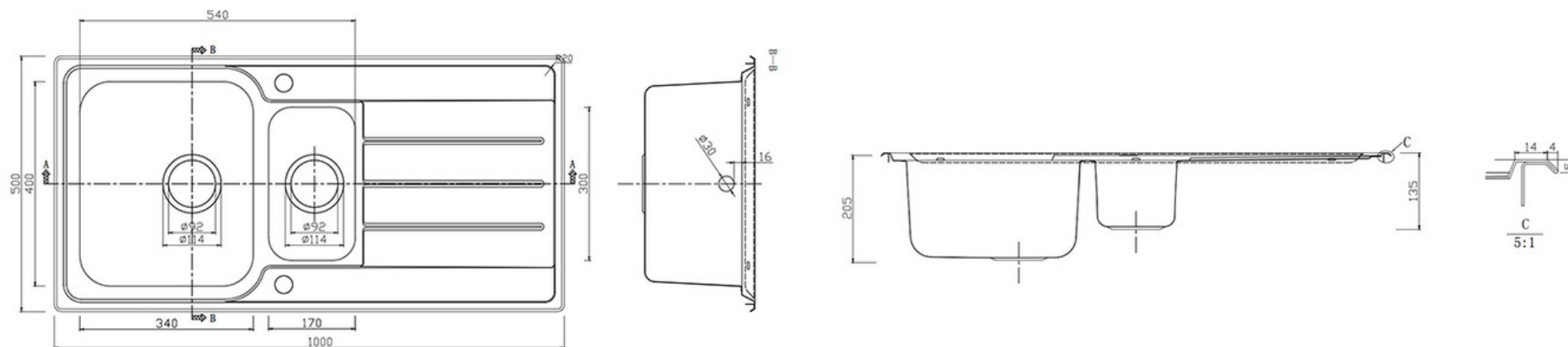
Date of download: March 18, 2025

AGA Rangemaster continuously seeks improvements in specification, design and production of products and thus, alterations take place periodically. Whilst every effort is made to produce up-to date resources, the information included here is intended as a guide. Always refer to the product's installation instructions when fitting, installation work should be completed a professional tradesman.

OAKLAND 18/10 STAINLESS STEEL SINK

OAK1052/

Technical Drawing



Date of download: March 18, 2025

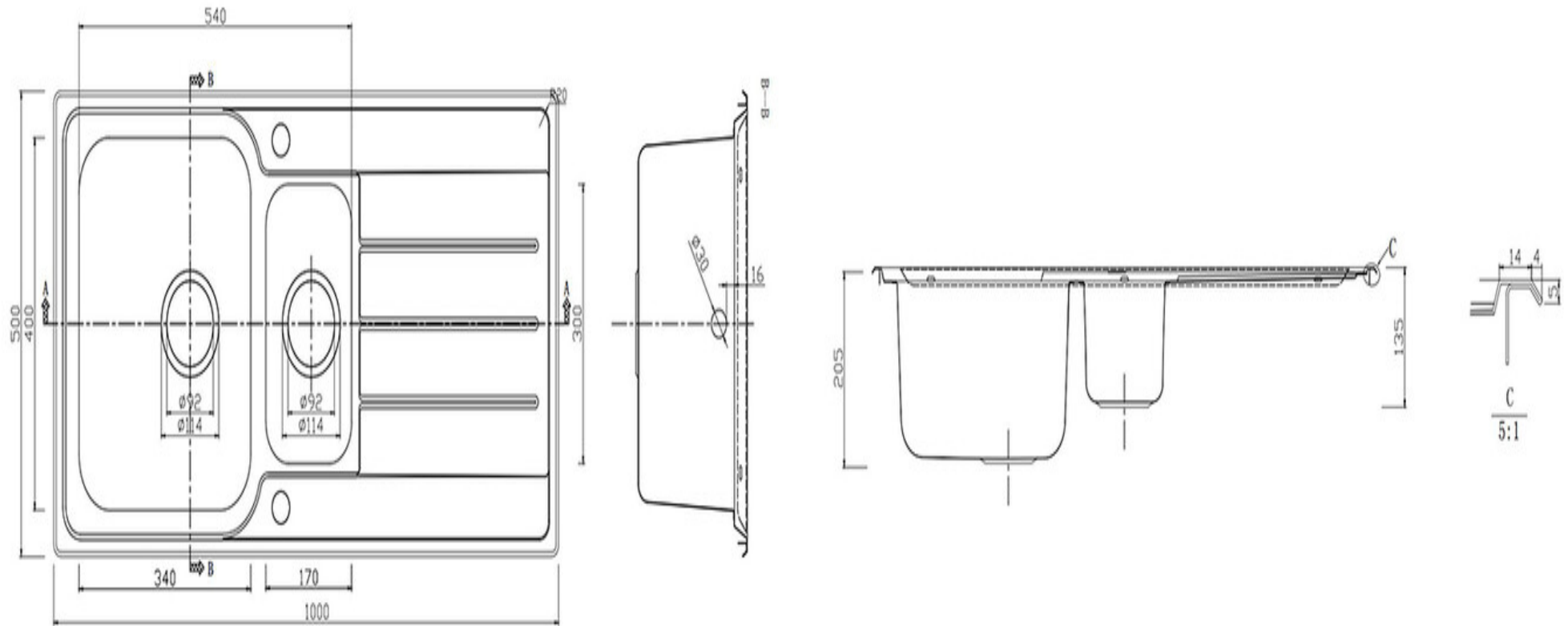
AGA Rangemaster continuously seeks improvements in specification, design and production of products and thus, alterations take place periodically. Whilst every effort is made to produce up-to date resources, the information included here is intended as a guide. Always refer to the product's installation instructions when fitting, installation work should be completed a professional tradesman.

OAKLAND 18/10 STAINLESS STEEL SINK

OAK1052/

Cut Out Template

Dimensions in mm. Not to scale.



Date of download: March 18, 2025

AGA Rangemaster continuously seeks improvements in specification, design and production of products and thus, alterations take place periodically. Whilst every effort is made to produce up-to date resources, the information included here is intended as a guide. Always refer to the product's installation instructions when fitting, installation work should be completed a professional tradesman.