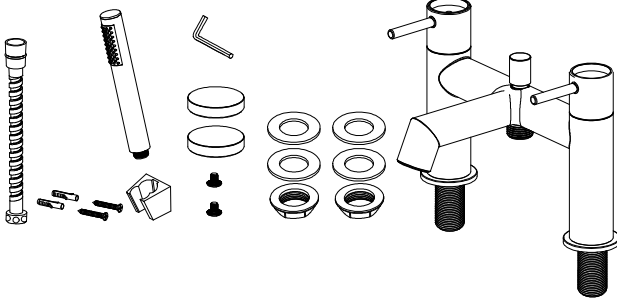


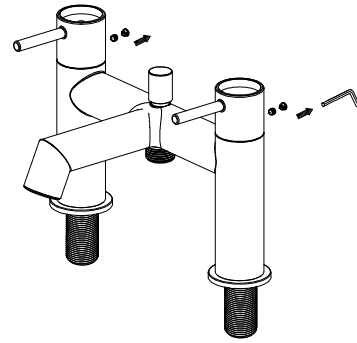
Installation Instruction

(suitable for bath shower mixer and bath filler in the same range)

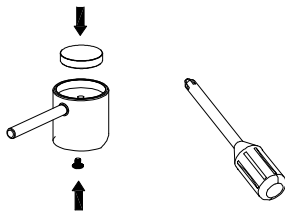
Step 1: Please read these instructions thoroughly and retain for future reference. Pressures to hot and cold supplies should be balanced for optimum performance. System must be flushed through prior to installation. Check all components.



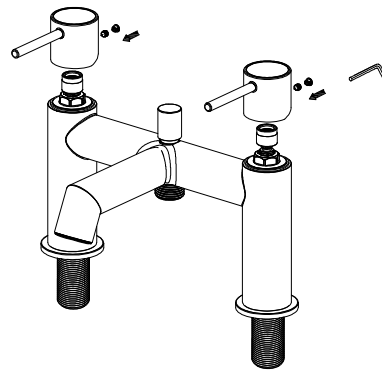
Step 2: Get out the indices behind the handles, and use allen key to remove the screw inside each handle, then take off the handles.



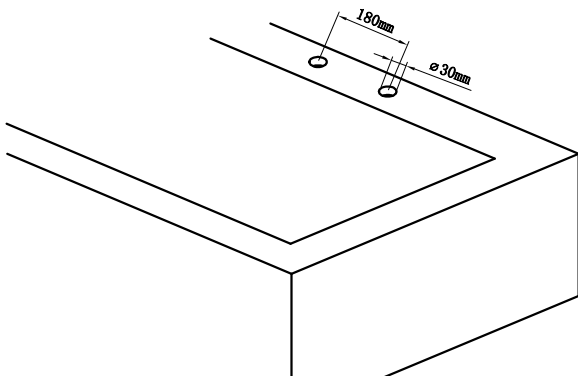
Step 3: Put the insert plates into the top of the handles, and use screw driver to fix the screws underneath the handles. PLEASE DON'T OVERTIGHTEN. PLEASE NOTE THAT THE INSERT PLATE IS MADE WITH GLASS SO TAKE CARE OF IT TO AVOID IT BEING BROKEN.



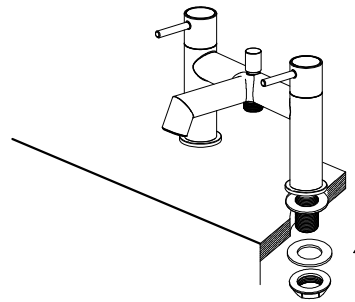
Step 4: After installing the insert plates, please put the handles back to the tap body, and fix them with screws, put back the indices behind the handles.



Step 5: The holes on the bathtub should be at a central distance of 180mm, the diameter of the hole should not exceed 30mm.



Step 6: Put the tap on the bathtub, fix the tap with backnuts.



Step 7: For bath shower mixer, fix the wall bracket to proper position on the wall, connect the shower hose to the tap and handset. Turn on the water supply to check if there is any leakage. (Installation completed)

