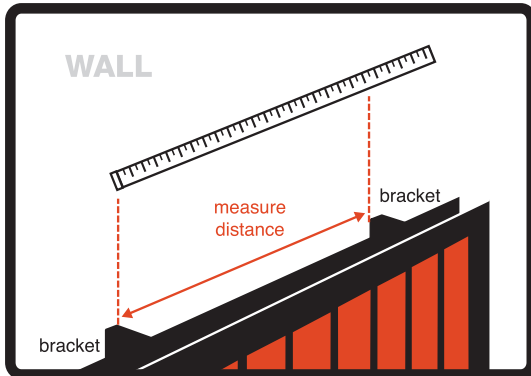
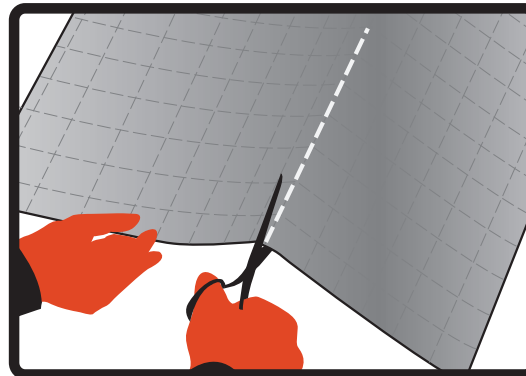


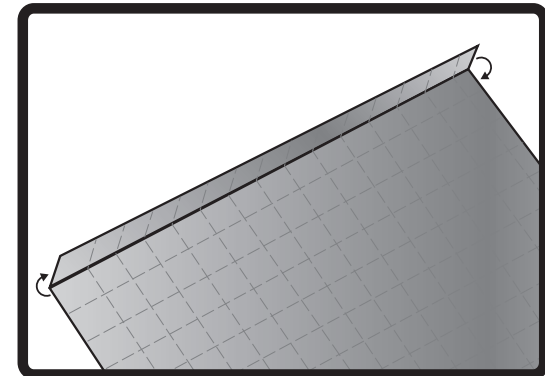
Installation for wall mounted radiators: Instructions should be treated as a guide only. For best energy savings, position Radflek on a radiator which is situated on the inside of an exterior wall. Hang the Radflek sheet with an equal gap between the wall, the Radflek sheet and the radiator. For floor mounted or wide radiators see alternative installation instructions and FAQ on www.radflek.com



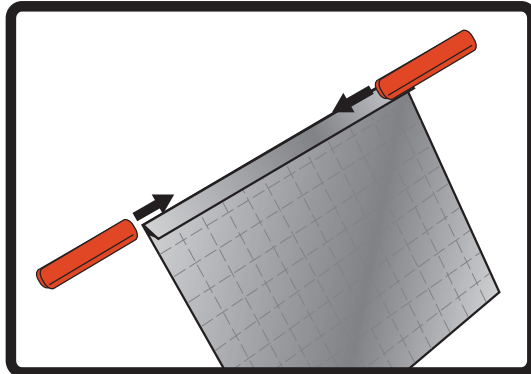
1. Flatten creases with thumb - does not need to be perfectly flat. Measure distance between radiator wall brackets behind radiator.



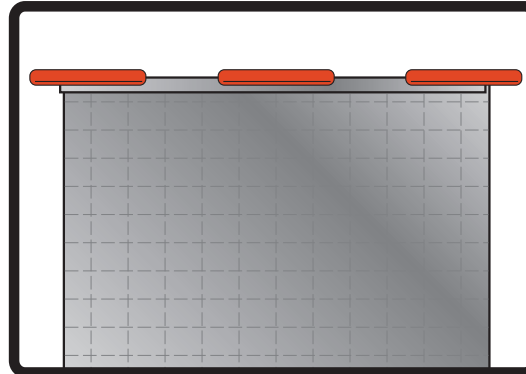
2. Cut Radflek sheet to width between wall brackets.



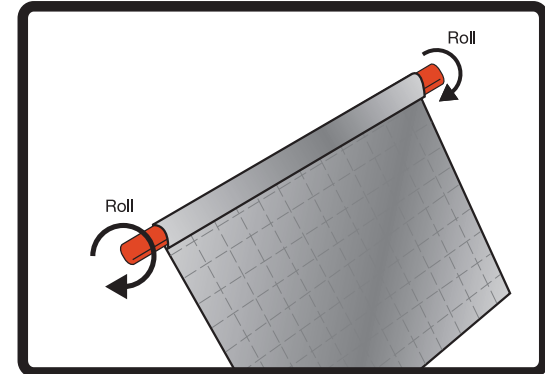
3. Make a 1cm fold along the top of the Radflek sheet.



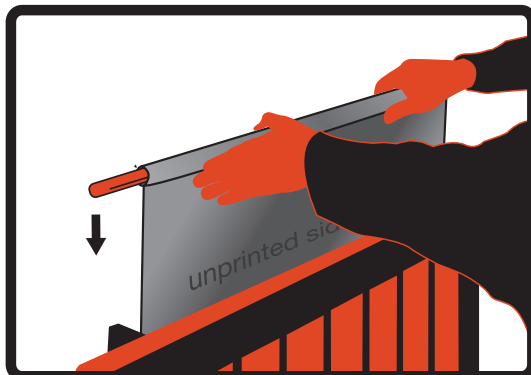
4. Slide on at least two Radklips over the fold.



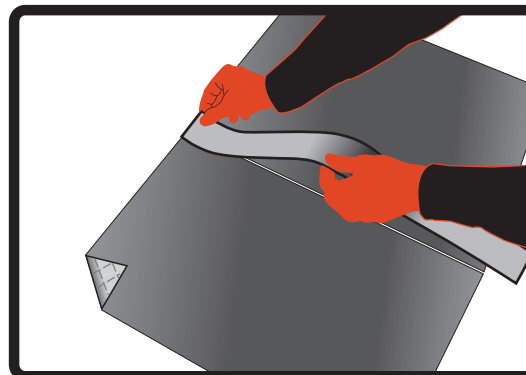
5. More Radklips along the top will provide greater rigidity to sheet.



6. Roll top of sheet around Radklips at least once to secure.



7. Position Radklips on wall brackets. If needed, roll more or trim bottom.



8. If you need to use Radstik joining tape: Place two sheets of Radflek side by side, printed side down. Stick Radstik onto the unprinted side over the join. Do NOT use Radstik to stick Radflek to the wall or radiator.

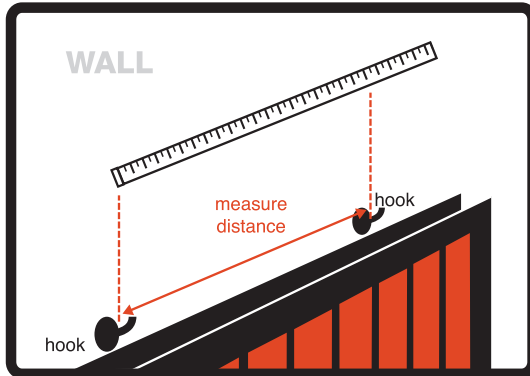
Save money, save energy

To find out more visit:
www.radflek.com

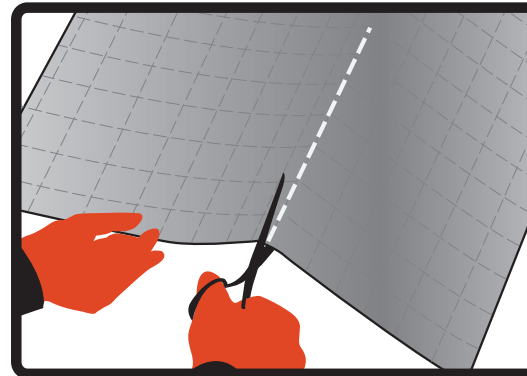
it takes no energy to save energy

anyone
can do it

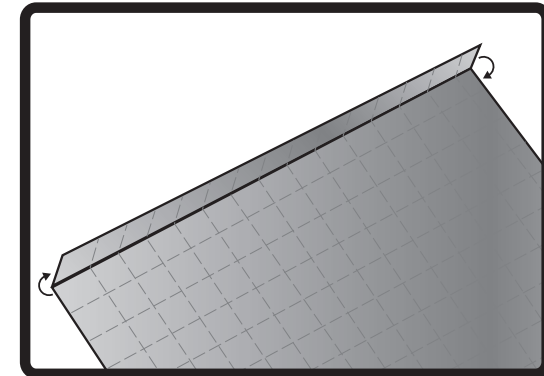
Installation for floor mounted radiators: Instructions should be treated as a guide only. For best energy savings, position Radflek on a radiator which is situated on the inside of an exterior wall. Hang the Radflek sheet with an equal gap between the wall, the Radflek sheet and the radiator. For floor mounted or wide radiators see alternative installation instructions and FAQ on www.radflek.com



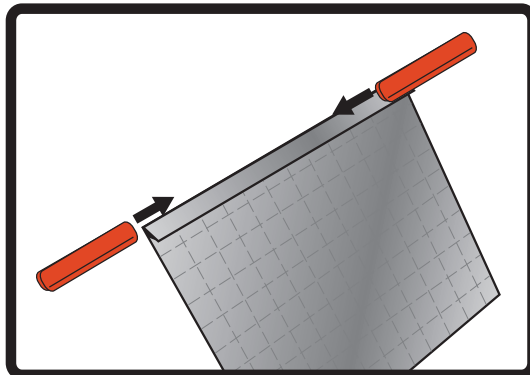
1. Flatten creases with thumb - does not need to be perfectly flat. Attach the hooks to the wall behind the radiator close to the top.



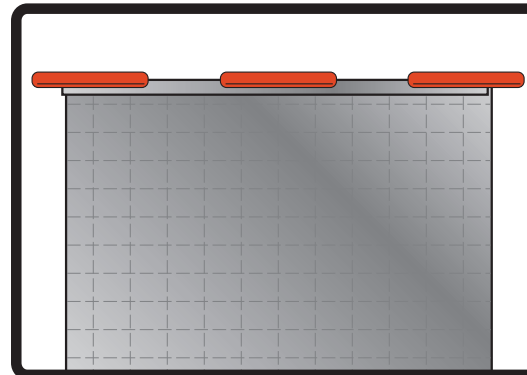
2. Cut Radflek sheet to width between wall brackets.



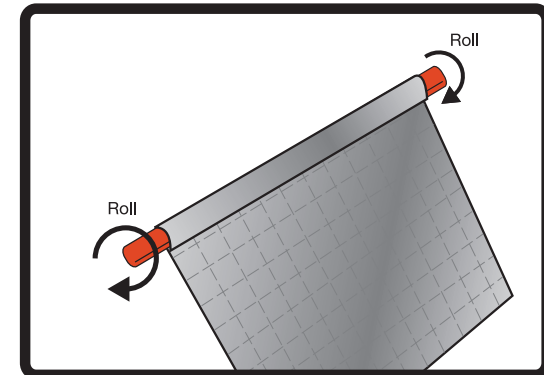
3. Make a 1cm fold along the top of the Radflek sheet.



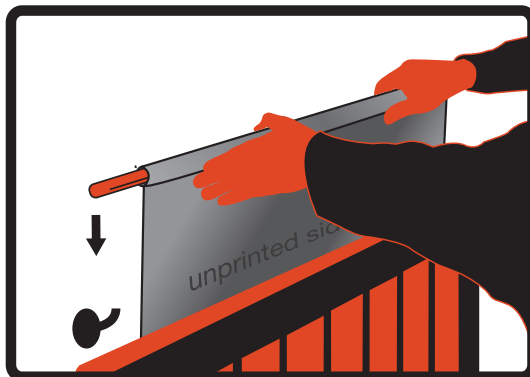
4. Slide on at least two Radklips over the fold.



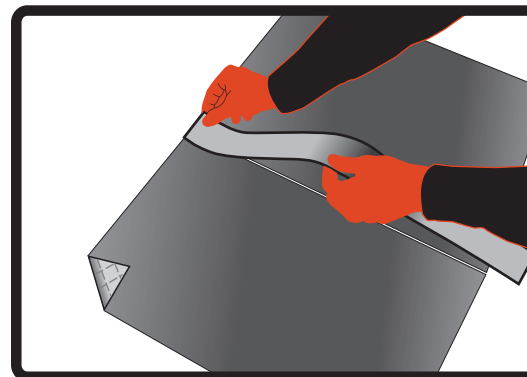
5. More Radklips along the top will provide greater rigidity to sheet.



6. Roll top of sheet around Radklips at least once to secure.



7. Position Radklips on hooks. If needed, roll more or trim bottom.



8. If you need to use Radstik joining tape: Place two sheets of Radflek side by side, printed side down. Stick Radstik onto the unprinted side over the join. Do NOT use Radstik to stick Radflek to the wall or radiator.

Save money, save energy

To find out more visit:
www.radflek.com

it takes no energy to save energy
anyone
can do it