

ERPD - PIVOT DOOR ENCLOSURE (Note this is a 2 person assembly)

1. Fit the shower tray ensuring it is level across all areas. (Fig 1)

Fig 1



2. Apply silicone sealant to the edges of the tray after tiling. (Fig 2)

Fig 2



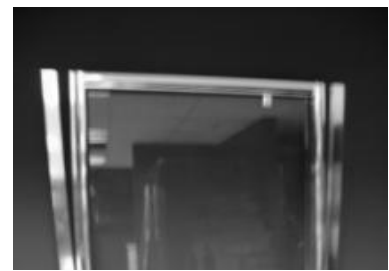
3. Take the wall channels (A) and position them 10mm from the front edge of the tray making sure they are vertical and plumb. Mark the fixing positions and drill for the wall plugs (x3) with an appropriate drill bit. Fit the wall plugs. Take care to avoid any hidden pipes or electrical cables. (Fig 3)

Fig 3



4. Slide the wall channels onto either side of the Pivot Door frame (Fig 4) carefully lift the frame into position and fix to the wall using the 30mm screws.

Fig 4



NOTE! The Pivot Door is reversible so the door opening can be LH or RH.

5. Once aligned, drill x2 holes 150mm from the top & bottom on the inside of the enclosure with a 3.2mm drill bit, through the wall channel and frame (Fig 6). Secure by using the 10mm screws making sure the support cups are used.

Fig 5



Fit the door seal to the bottom edge of the Pivot door.

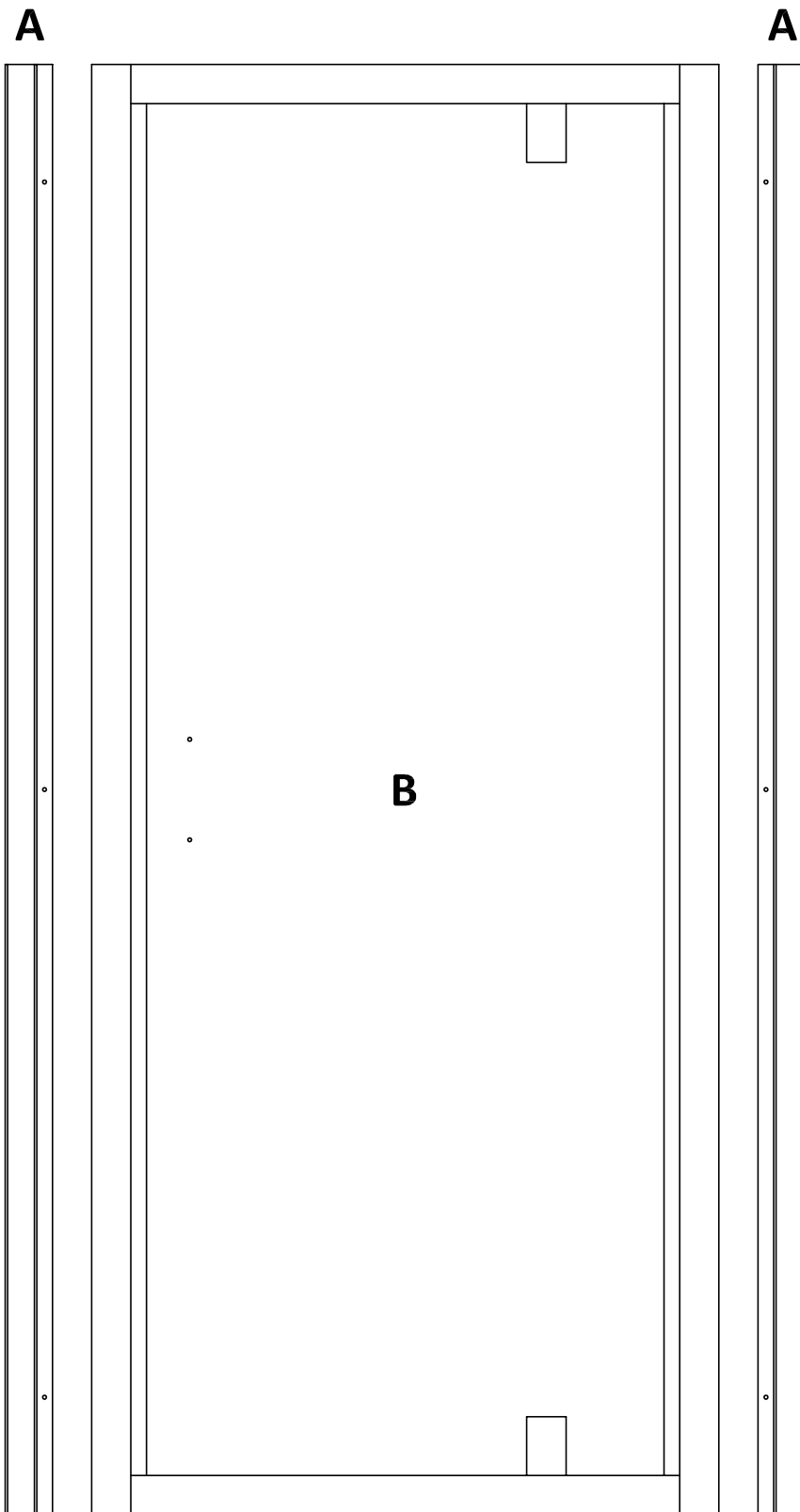
Fit the handles using the 20mm screws supplied.

6. Apply silicone down the vertical edges of the wall channel and along the bottom edge of the Pivot Door frame (Fig6).



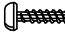
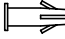




Fig 6



DO NOT SEAL THE ENCLOSURE ON THE INSIDE OF THE TRAY!



PARTS LIST		
A	WALL CHANNEL	x2
B	PIVOT DOOR FRAME	x1

FITTINGS LIST		
	10mm SCREWS	4
	20mm SCREWS	2
	30mm SCREWS	6
	WALL PLUGS	6
	INNER SUPPORT CUPS	10
	SCREW COVER CAP	10
	BOTTOM DOOR SEAL	1
	SHOWER DOOR HANDLE	2

WHEN THIS ENCLOSURE IS TO BE FITTED WITH A SIDE PANEL, REFER TO THE SIDE PANEL INSTRUCTION IN CONJUNCTION WITH THESE.