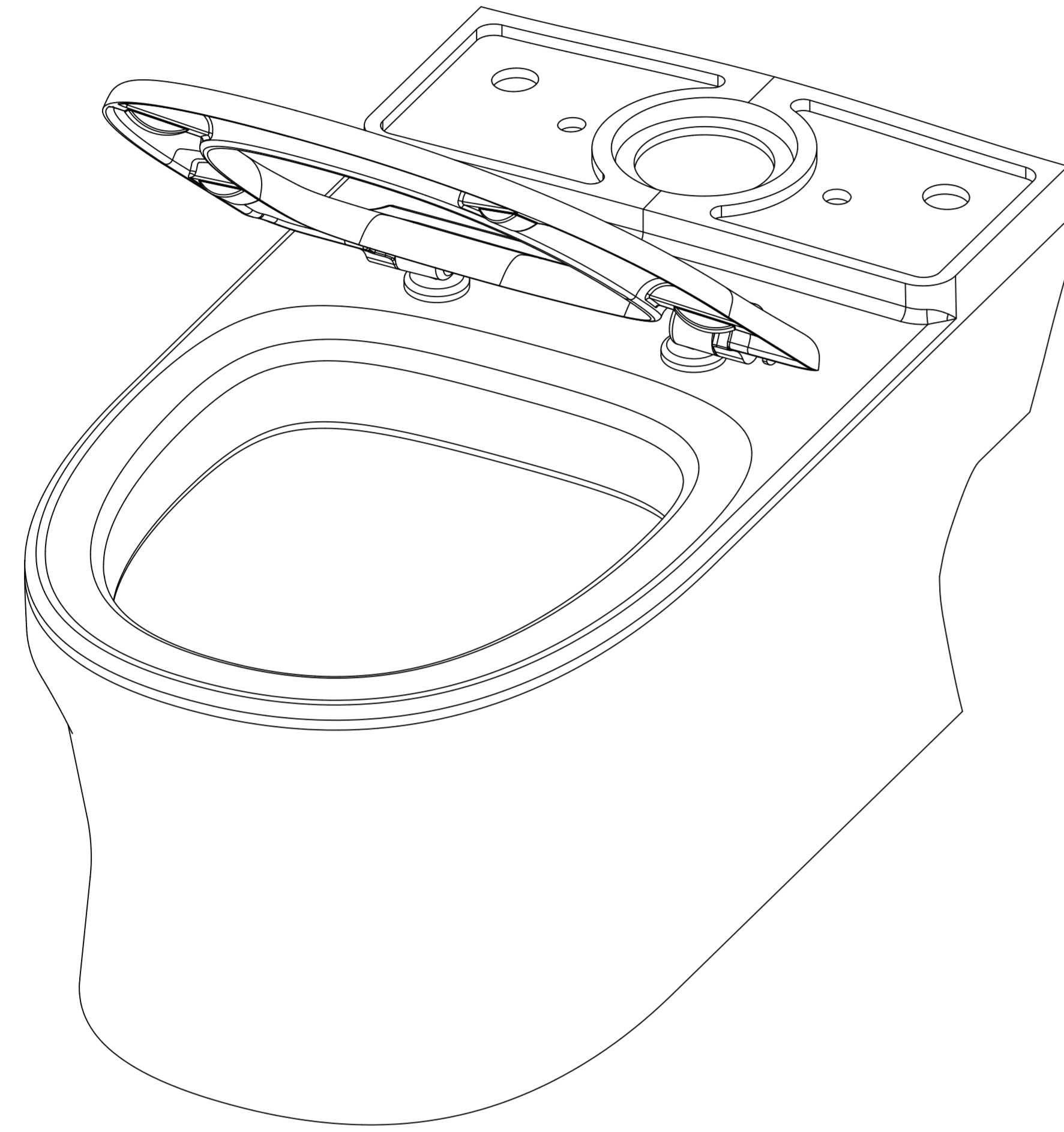


SLOW CLOSE TOILET SEAT FIXING INTRUCTIONS

Closet seat package has two hinges , two bolts and two stainless steel washers, wrench, two rosettes and allen key.

ASSEMBLY INSTRUCTIONS :

1. Measure the distance between the holes of the toilet bowl. Choose the appropriate screw position position variant according to the illustration.
2. Place the toilet seat in accordance with the toilet bowl and tighten the screws with screwdriver.
3. Mount the rosettes on the screws.
4. Mount the hinges pushing the closet seat down from above when the hinges are on upright position.
5. Drive set screws.



MAINTENANCE INSTRUCTIONS :

TO KEEP THE SEAT SHINY , IT SHOULD BE CLEANED WITH A MOIST , SOFT CLOTH AND A MILD DETERGENT. DO NOT USE STRONG OR ABRASIVE CLEANING PRODUCTS.

