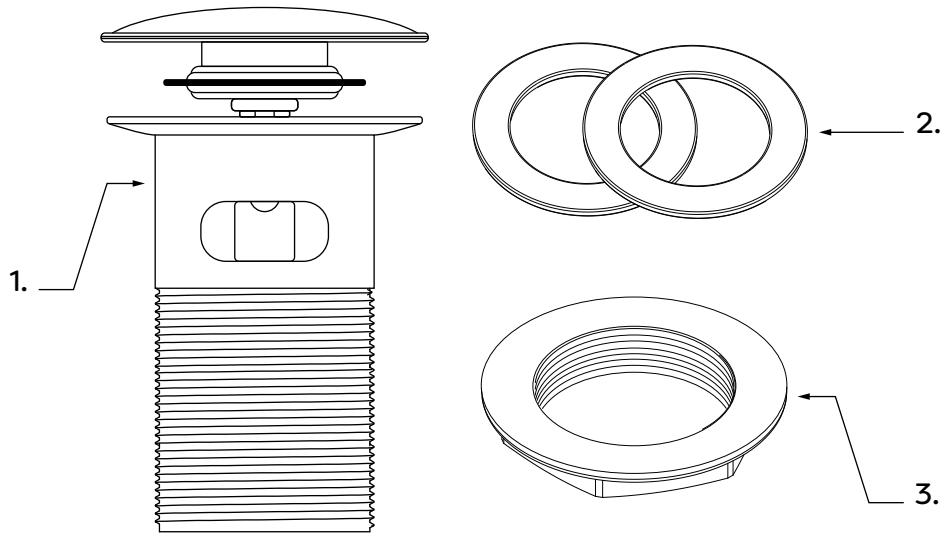


Slotted/Unslotted Click-Clack Basin Waste

Before you Begin:

- This instruction shows how to fit the click-clack basin waste. Ensure the chosen waste is applicable to your chosen basin and is the correct size for the basin waste hole.
- **Slotted - Designed for use with basins with an overflow.**
- **Unslotted - Designed for use with basins without an overflow.**
- Ensure the incoming mains water supply is switched off prior to commencing the installation.
- Unpack the product then read these instructions before proceeding. Inspect the product for damage. If any damage is found, contact our Customer Relations team.

① *Make sure that all components are present prior to installation.*



Fitting List:

1. Click-Clack Waste (Slotted/Unslotted)
2. Rubber Seal (X2)
3. Back Nut

Note: Diagrams are for illustration purposes only. Your Click-Clack Waste may superficially differ from this drawing however the installation guide steps still apply.

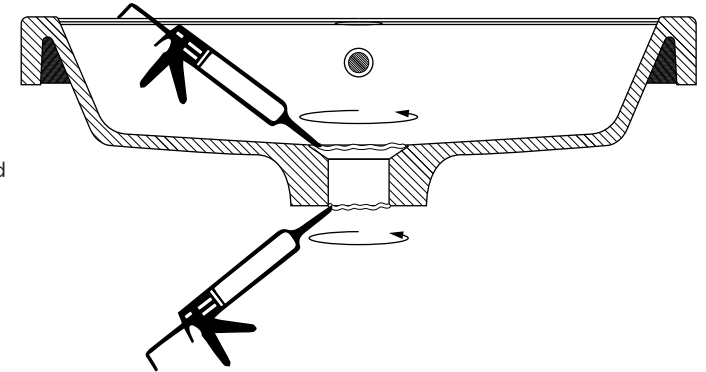
Recycling and Disposal:

- Please recycle the packaging in accordance with your local government regulations on waste handling and follow the same advice at the end of the products life.

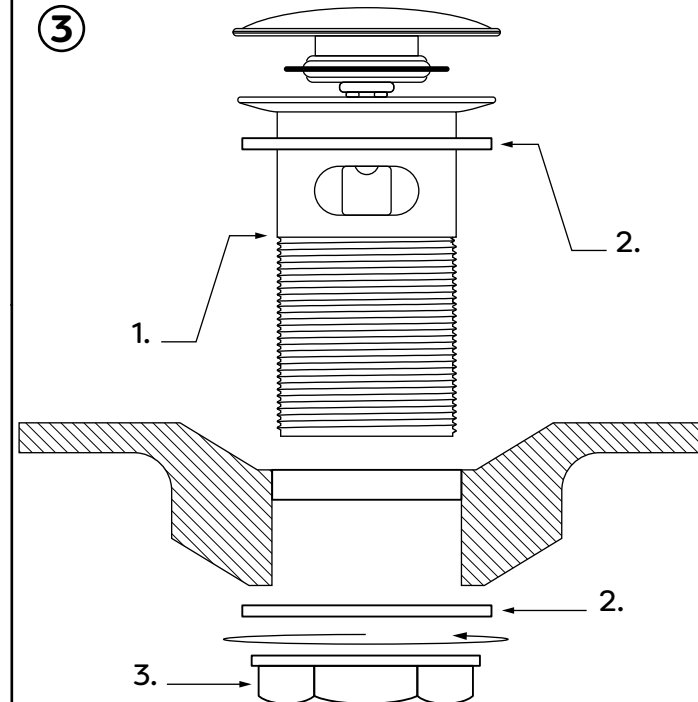
②

Installation tip:

Pipe a fine bead of good quality silicone sealant around the top and bottom edge of the basin waste hole.



③



Place a 'Rubber Seal' (2) over the threaded tail of the 'Click-Clack Waste' (1). Proceed to feed the 'Click-Clack Waste' through the basin waste hole.

Place the second 'Rubber Seal' (2) and 'Back Nut' (3) over the threaded tail of the 'Click-Clack Waste'. Tighten the 'Back Nut' to secure the Waste into position.

Wipe away any excess silicone with a damp cloth.

Note: Test the installation and check all joints/connections for any leaks.

Cleaning and Aftercare:

- To clean the pop-up waste; remove the plug, wipe clean then insert the plug back into the waste.
- **Warning:** Do not use abrasives, scourers, bleach or any type of chemical cleaning solution when cleaning the pop-up waste. It is recommended to use warm soapy water and a clean damp cloth.

For more information visit: www.victorianplumbing.co.uk