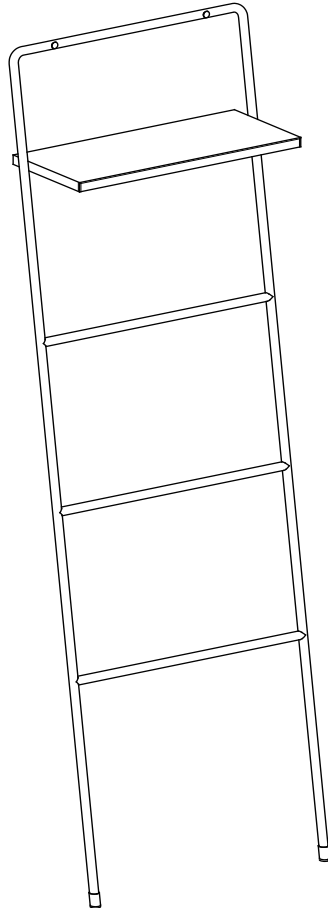




Osaka Ladder Rail With Shelf



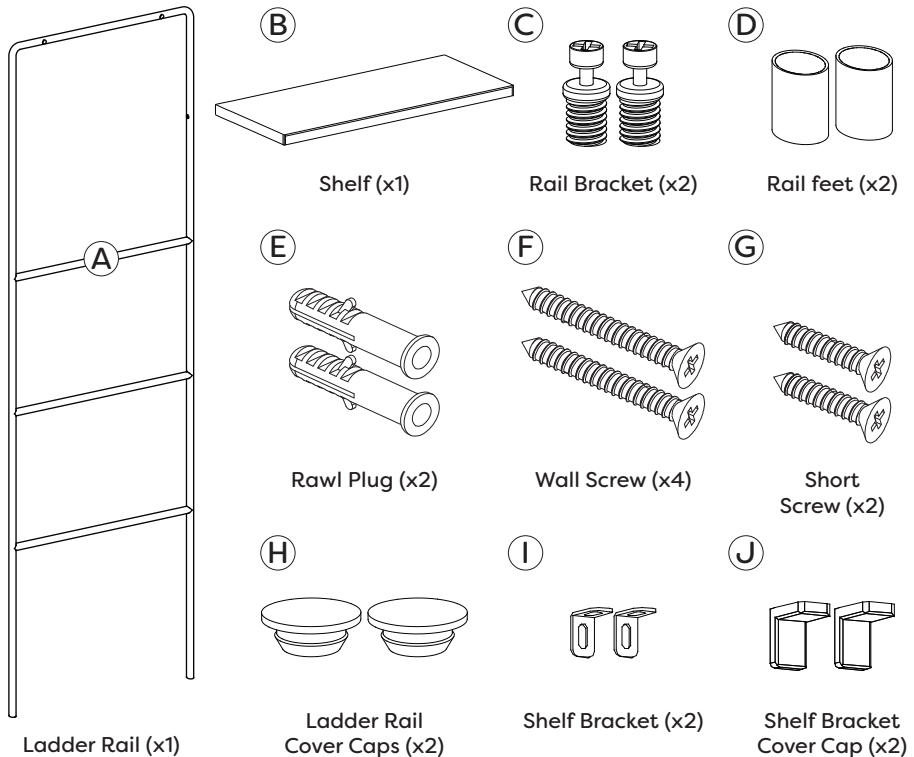
Fitting Instructions

Please follow them carefully and
leave this manual with end user

Before you begin:

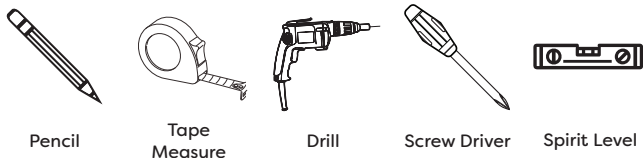
1. **We recommend that this product is installed by a qualified tradesperson**, Victorian Plumbing Ltd. accept no liability for products incorrectly installed or any damage to the floor, walls, ladder rail or personal injury during installation.
2. **Check the chosen wall space for any pipes/cables prior to drilling**
3. **We recommend that the Ladder Rail with Shelf is fastened to a load bearing wall. Check the type of wall you are fixing into and use suitable fixings.**
4. Observe all local plumbing and building codes & regulations.
5. Unpack the product then read these instructions before proceeding. Inspect the product for damage. If any damage is found, contact our Customer Relations team.

Items Included:



Tools Required (Not Included):

Ensure the appropriate PPE is used during installation

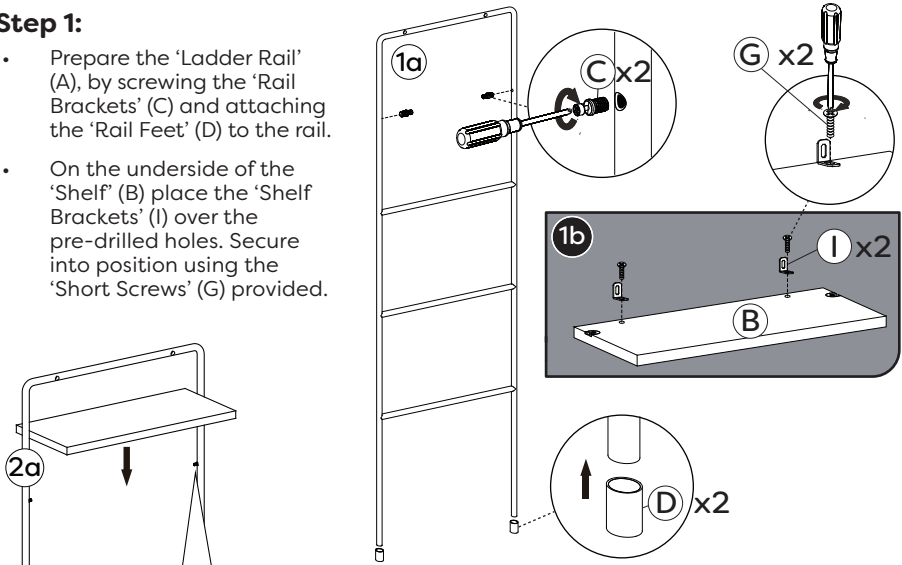


Installation

Diagrams are for illustration purposes only. Ladder Rail may superficially differ from these drawings however the installation guide steps still apply.

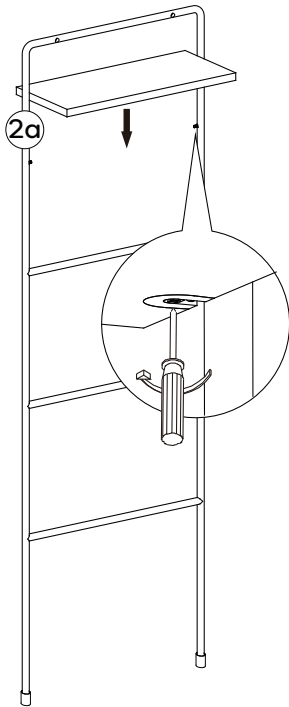
Step 1:

- Prepare the 'Ladder Rail' (A), by screwing the 'Rail Brackets' (C) and attaching the 'Rail Feet' (D) to the rail.
- On the underside of the 'Shelf' (B) place the 'Shelf Brackets' (I) over the pre-drilled holes. Secure into position using the 'Short Screws' (G) provided.

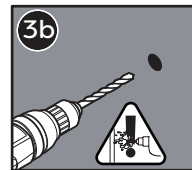
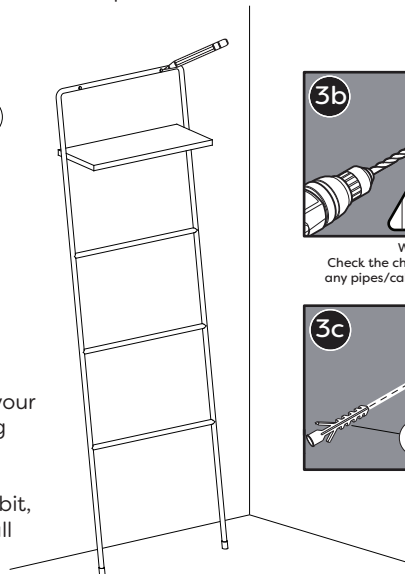


Step 2:

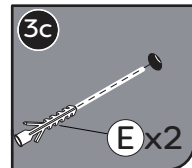
- Insert the shelf onto the screw heads of the rail brackets, ensure that the shelf is fully slotted into place. Tighten the screws underneath the shelf to secure into place.



3a

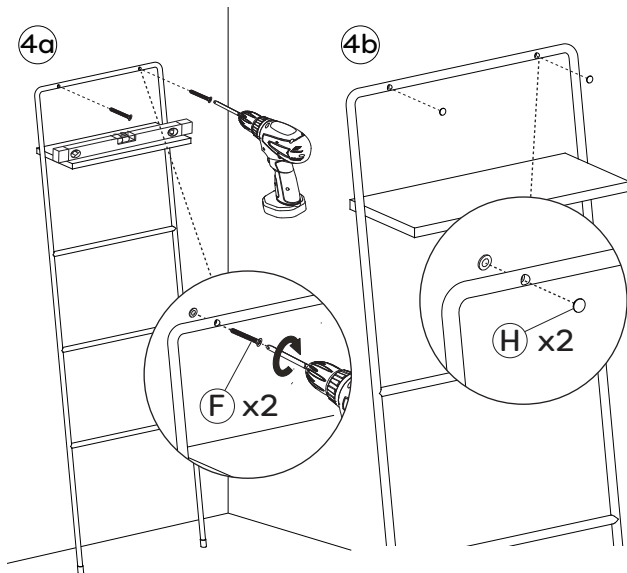


Warning:
Check the chosen wall space for any pipes/cables prior to drilling!



Step 3:

- Position the ladder rail against your chosen wall then mark the fixing holes across the top.
- Using an appropriate sized drill bit, carefully drill the holes in the wall then insert the 'Rawl Plugs' (E).

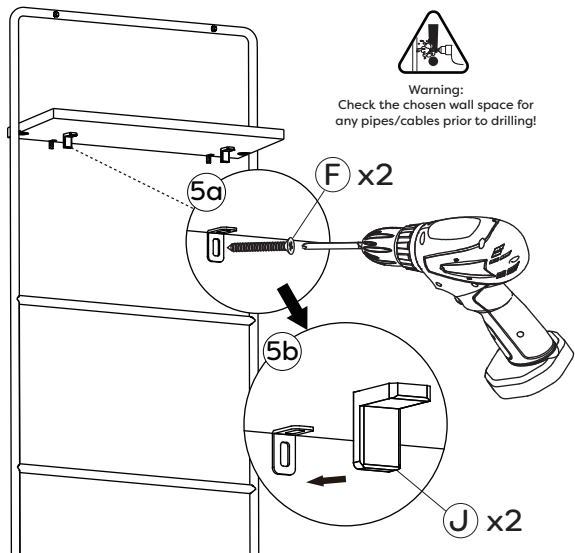


Step 4:

- Place the ladder rail back over the rawl plugs. Using two of the 'Wall Screws' (F) provided, secure the ladder rail to the wall by screwing into the rawl plugs. Ensure the ladder rail is level using a spirit level.
- Insert the 'Ladder Rail Cover Caps' (H) over the wall screws.

Step 5:

- On the underside of the shelf fix the shelf brackets to the wall using the remaining two 'Screws' (F) provided.
- Attach the 'Shelf Bracket Cover Caps' (J) over the brackets.



Warning:
Check the chosen wall space for
any pipes/cables prior to drilling!

Cleaning & Aftercare:

Warning: Do not use abrasives, scourers bleach or any type of chemical cleaning solution when cleaning the Ladder Rail. It is recommended to use warm soapy water and a clean damp cloth.

Recycling and Disposal:

Please recycle the packaging in accordance with your local government regulations on waste handling and follow the same advice at the end of the products life.

www.victorianplumbing.co.uk