

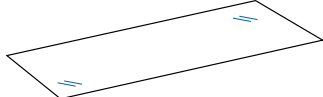
Installation Instructions

Includes after care details






PVC Shower Panel

Note: The optional dedicated fitting kit is highly recommended to ensure the correct products are used for installation

Parts Supplied

Description		Qty
PVC Shower Panel		1

Parts Required for Installation



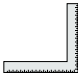

	Description	Qty	Included in Installation Kit
	Mounting Adhesive Cartridge	1 tube per panel	YES
	Neutral Cure Low Modulus Silicone Sealant Cartridge	1 tube	YES
	3mm Tile Spacers	12	YES
	Soft Flexible Silicone Spatula	1	YES
	Nylon Protective Gloves	1 pr	YES

Introduction

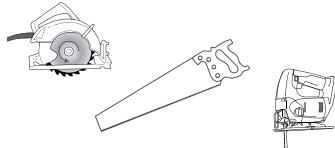
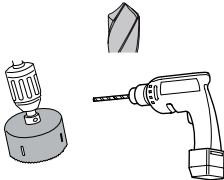

Interior decorative wall and ceiling panelling system that's easy to fit and simple to maintain. Honeycomb lightweight tongue & groove panels are suitable for all walls and ceilings in showers, bathrooms, kitchens, conservatories, extensions and utility rooms.

Tools Required for Installation


- Measuring

	Tape Measure
	Soft Pencil
	Carpenter's Square
	Spirit Level

- Cutting

	Power Saw / Jigsaw with fine tooth carbide tipped blades
	Power or battery drill & appropriate drill bits / hole cutters
	Personal eye, hearing, hand & footwear protective equipment

- General Installation

	Cartridge Gun
--	---------------

Before You Start

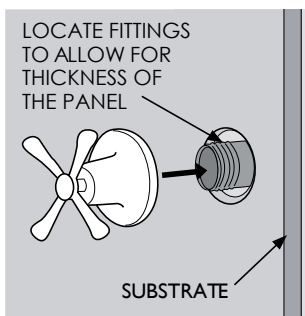
PRIOR TO COMMENCING INSTALLATION PLEASE CAREFULLY READ THE COMPLETE INSTALLATION BOOKLET NOTING ALL WARNINGS AND INSTALLATION GUIDELINES.



Very Important general information about your PVC panels, please read

- We strongly recommend the use of the dedicated installation kit in order to achieve a professional finish
- If the dedicated installation kit is not used then it is important that a neutral cure silicone is used for the installation to avoid cracking and poor adhesion. Do not use a standard acetic curing silicone
- Panels will expand and contract with temperature so it's very important to allow a 3mm expansion gap at the perimeter of each panel
- When using panels for renovation over existing tiles or other wall finishes, it may be necessary to reposition the taps and outlets to align with the finished surface of the panel (see Fig.1 below)

Fig. 1



- Do not store or transport the sheets outdoors or in direct sunlight or in extreme heat
- Sheets must be stored inside and stacked horizontally to avoid any bowing of the sheets
- We strongly recommend that sheets should be allowed to acclimatise to the installation room's temperature (approx. 19°C) for 24 hours before cutting / installation to prevent any adverse effect due to expansion
- Sheets may have sharp edges. Always wear gloves and other appropriate clothing and footwear for your protection during the installation process
- Always wear eye protection during the installation of PVC panels and other safety equipment relative to the installation tools being used
- Before installation check the sheet to ensure no damage has occurred during transport
- We recommend the use of a silicone spatula in order to create a professional silicone joint

Area Preparation

- Ensure the walls are smooth, clean and dry
- All existing substrate wall panel fixings must be set flush or recessed as illustrated in Fig. 2 A, B & C
- For wall lining, use waterproof panelling or plasterboard only in accordance with local building regulations for shower or bath areas
- All substrate wall linings must be sealed at the joints with a generous silicone or waterproofing compound as illustrated in Fig. 3

Fig. 2

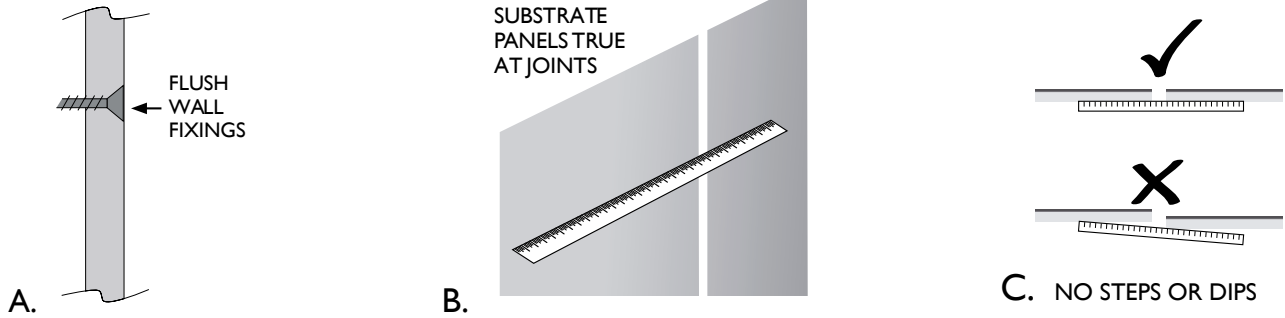
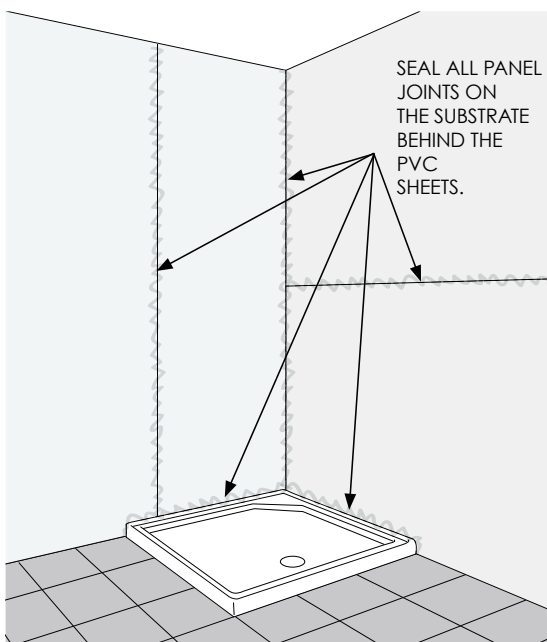


Fig. 3

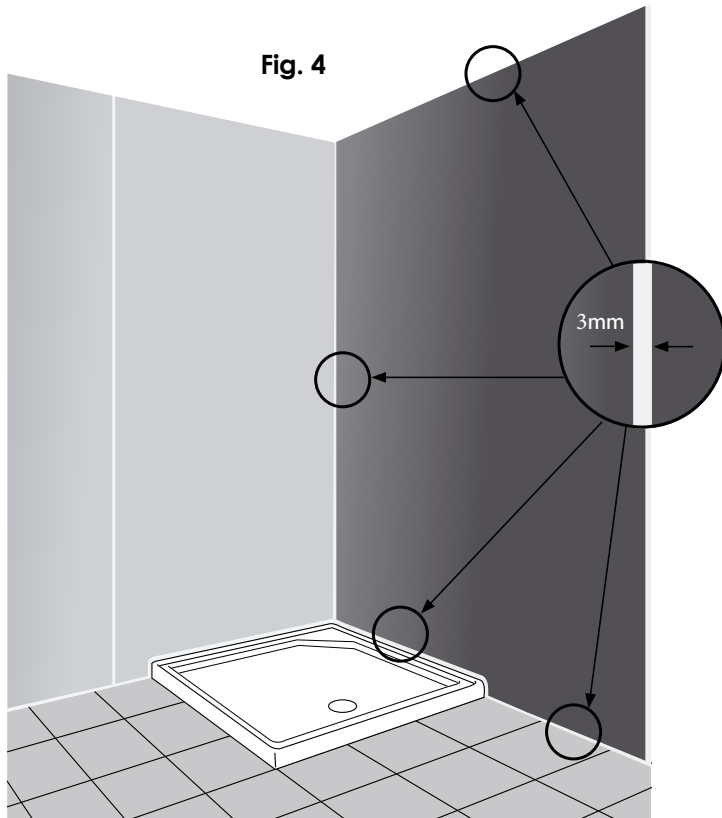


Tiled Walls

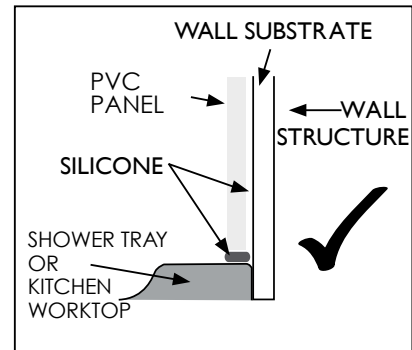
- PVC panels can be easily installed over existing tiled walls as long as the tiles are securely attached and thoroughly cleaned before installation.
- Ensure the tiles are free of soap or other build up. Conduct a final clean using a degreaser such as "Sugar Soap" and rinse well with clean water and allow to dry.
- Check the walls carefully for high spots and remove any tiles or fittings that may interfere with PVC panel or may create a wavy result when panel is installed.
- Exposed edges can be sealed with silicone. A finishing trim can also be used to create a neat appearance covering both the tile and PVC panel edge.

Measuring

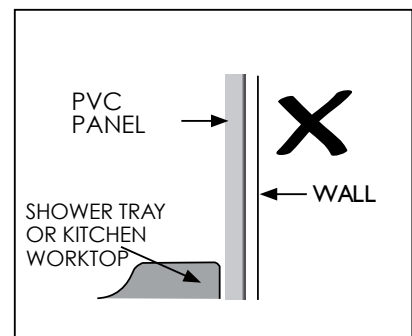
- Measure each wall area and decide on suitable panel size
- Allow for 3mm joints at each edge as illustrated in Fig. 4
- Check the installation area is square. If the area is not square or an odd shape, we recommend fabrication of a timber template and trial fitting. Use the template to cut the PVC sheet to achieve a good result.



DO RUN THE PVC PANEL ON TOP OF SHOWER TRAY



DO NOT RUN THE PVC PANEL BEHIND SHOWER TRAY



Marking Out

- Mark any holes and cut lines on the panel using a felt tip pen. Do not use metal scribes
- Do not mark out the sheet in direct sunlight or very cold conditions as thermal expansion/contraction could affect final panel size prior to installation (i.e. below 0°C or above 25°C)
- Take care if panels must be stored on their edge. Use a protective medium to avoid damage

Panel Cutting

- PVC panels are tongue & groove to reduce any required cutting
- When cutting or drilling, always wear appropriate personal protection equipment relevant to the tool being used. We recommend the use of safety glasses at all times
- Appropriate clamping and support is essential to avoid vibration and potential chipping of the edges.
- Always protect the panel using a non-abrasive material between the clamp and the sheet surface being careful not to damage the surface.
- Using a circular saw will deliver a straight and accurate cut. Best results will be achieved by cutting through the panel and into a sacrificial support timber board as illustrated in Fig. 5

SUPPORT THE PANEL ON PLYWOOD OR MDF SHEET OR SOLID WORK TOP

Fig. 5

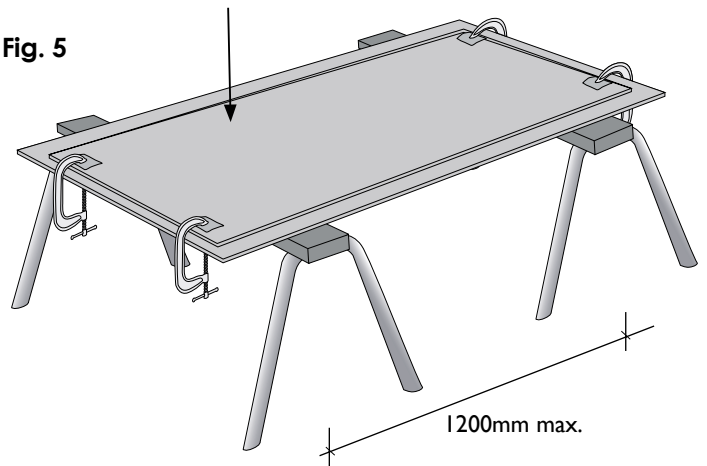


Fig. 6
PORTABLE SAW

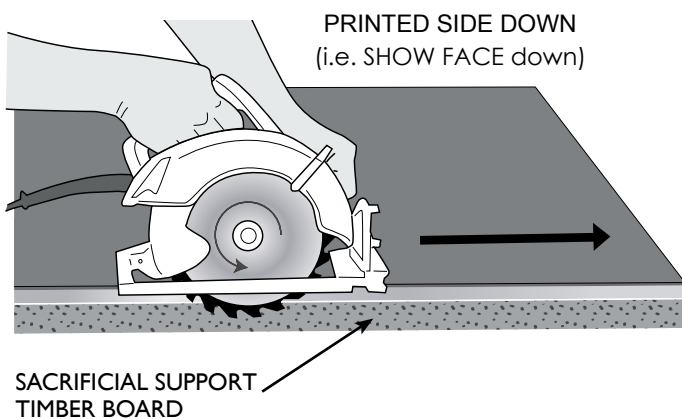
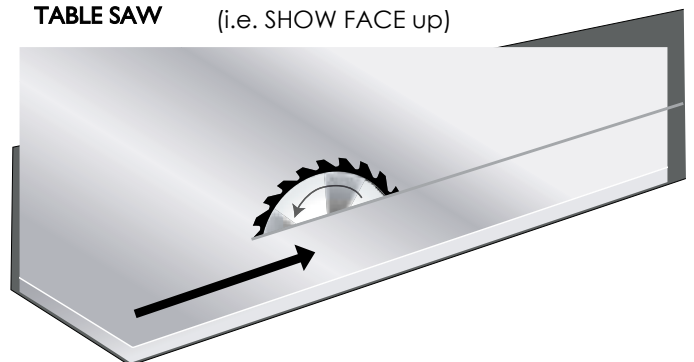


Fig. 7
TABLE SAW
PRINTED SIDE UP
(i.e. SHOW FACE up)



- To ensure a neat edge when using a fixed table circular saw (Fig. 7), cut with the coloured side of the PVC sheet facing UPWARDS. If using a portable circular saw, cut with the printed side of the PVC sheet facing DOWNWARDS (Fig. 6).

NOTE: Always ensure the printed surface of the panel is fully protected from scratching.

- Jigsaws can be used for cutting short distances such as power point openings. You must only use Jigsaw blades that are suitable for aluminium or plastics. Cut with the printed side of the PVC sheet facing DOWNWARDS with a jigsaw
- Do not use Jigsaws to make long cuts. The blade may overheat and melt the sheet at the edge resulting in a poor finish
- Clean swarf away frequently after cutting to avoid damage
- A carpenter square is recommended for marking out square cuts in the panels

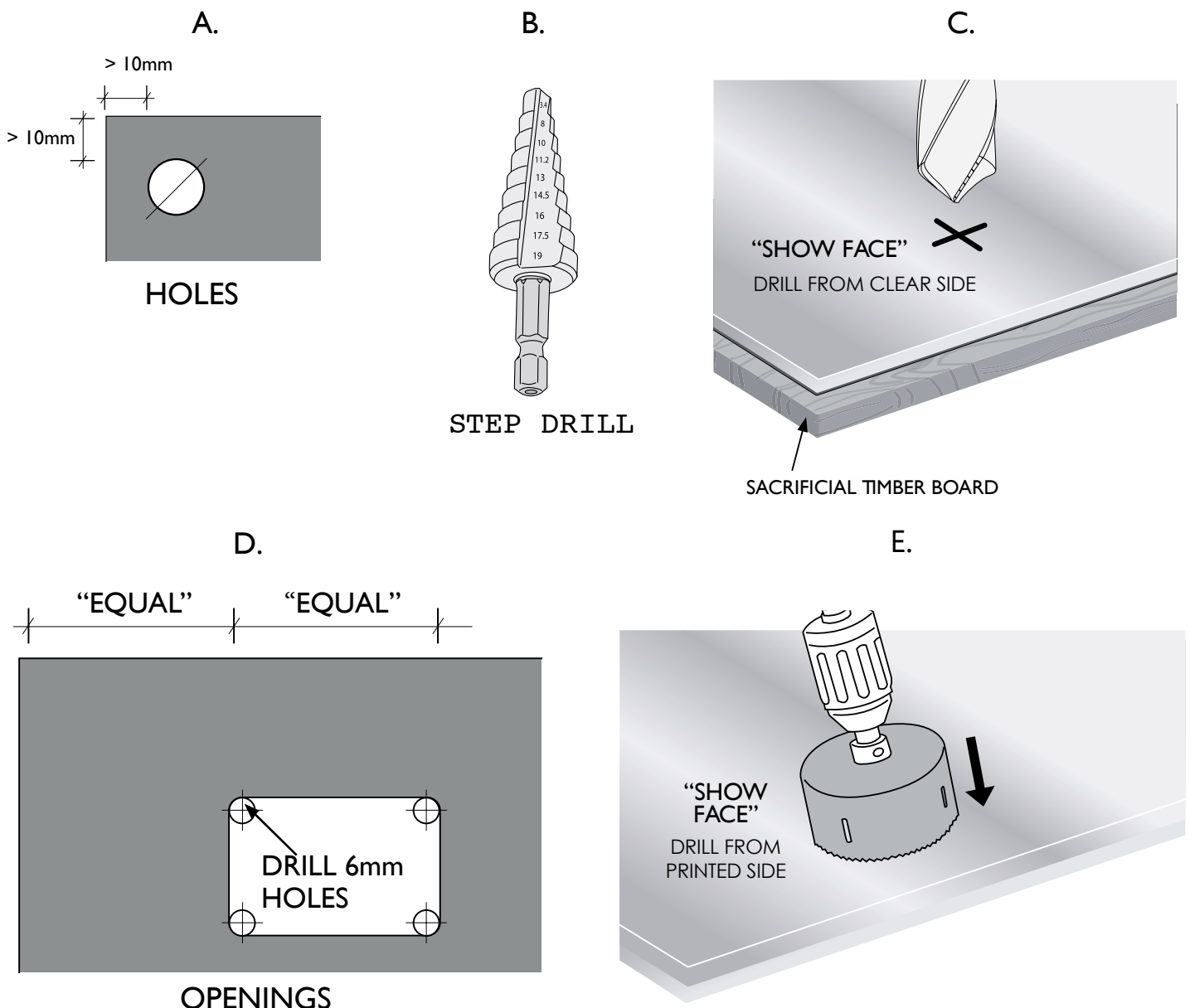
Cutting Recommendations and Blade Types

- We strongly recommend that panels should only be cut or shaped at room temperature (approx. 19°C)
- Fine tooth blade
- Jigsaw - Use a fine cut blade that is suitable for plastic
- Circular Saw / Plunge Saw - Use a fine tooth carbide tip blade with 60-80 Teeth
- Multi Tool - with fine cutting blade
- Drill Bits - Use a high speed steel tipped drill bit. Do not allow the drill bit to overheat. Work at a moderate speed and pressure

Drilling and Openings

- The edge of any drilled holes should be no closer than 10mm to the edge of the panel sheet (A)
- Do not create long openings close to the edge of the sheet, as the sheet will be difficult to handle during the install
- Always drill a hole at the corner of any cut-out or notch. Avoid cutting square inside corners
- Drill from the SHOW FACE side (clear side) of the panel to reduce the risk of chipping (C). Best results will be achieved with a slow to medium drill speed, use only light pressure.
- Fine toothed hole saws can be used for larger holes. Cut from the SHOW FACE side (clear side)
- Step drills are ideal for mid size holes and also making smaller holes into larger ones (B)

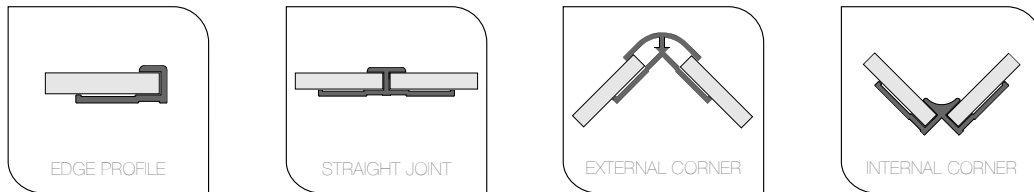
Fig. 8



Profiles

- Profiles are available as shown in Fig. 9 below in Matt Aluminium finish, White PVC finish and Chrome PVC finish
- The use of profiles is wholly recommended to protect panel edges. Please refer to the individual profile fitting instructions supplied with the profiles

Fig. 9

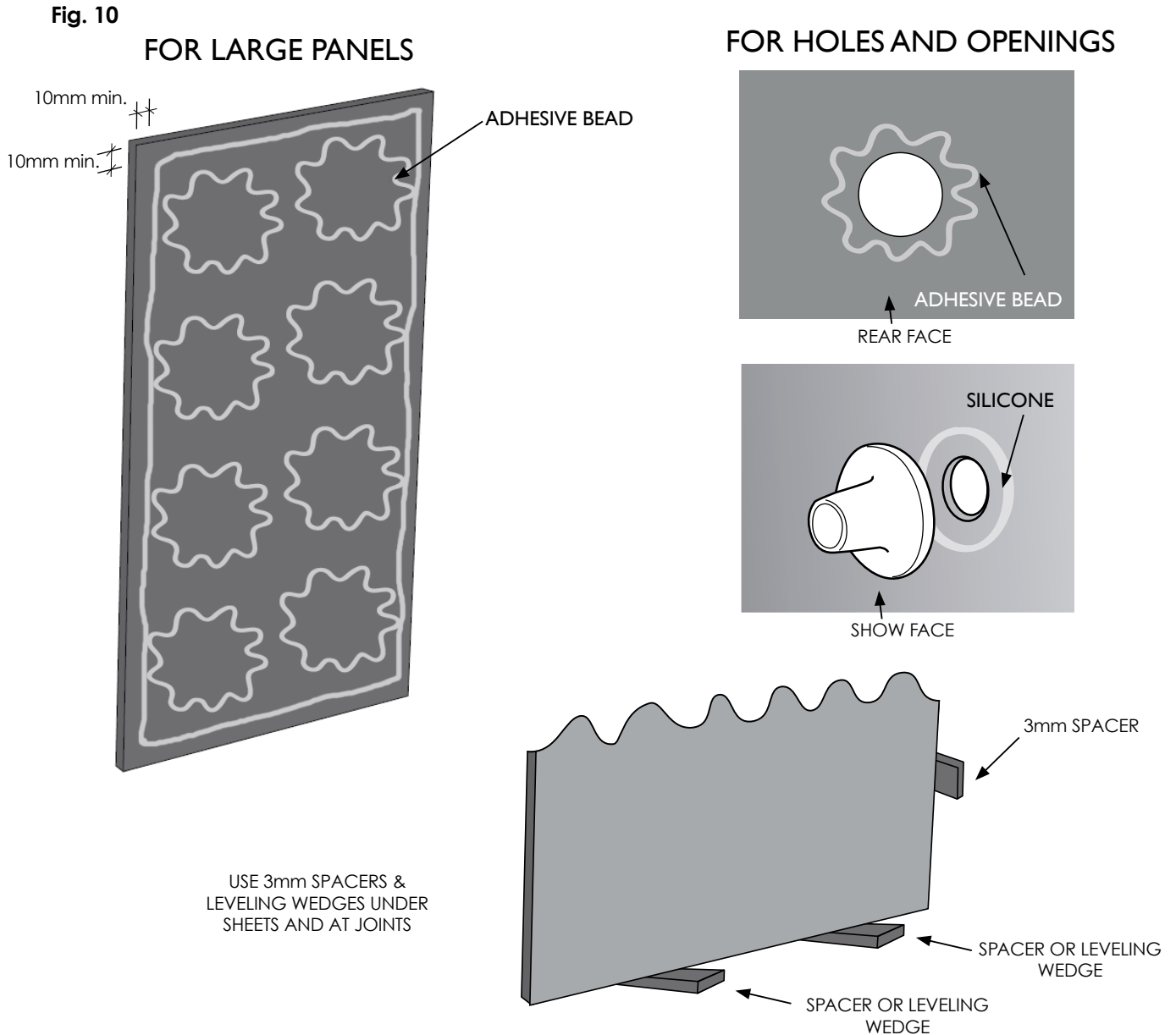


Profile Installation

- Profiles are fixed to walls using the supplied mounting adhesive
- Always first run a narrow bead of silicone along the inside of each profile when seating a panel in to the profile, ensuring the bead is not so wide as to spill out the sides of the profile when the panel is inserted
- When inserting a panel in to a profile, allow room for panel expansion as described under 'Panel Installation'

Panel Installation

- STEP 1 -** Once any cuts have been made then trial fit each panel to ensure trim size and expansion gaps are correct (3mm)
- STEP 2 -** For tongue & groove joints always run a thin bead of silicone along the inside of the groove to ensure a fully waterproof seal is made, ensuring the bead is not so wide as to spill out. **NOTE:** Always use a neutral cure silicone.



- STEP 3 -** Apply a 6mm wide bead of board adhesive in a wavy pattern as shown in Fig. 10. It is also a good idea to apply a wavy line all the way around the panel near the edges. Run a bead of silicone on the rear of the panel around any holes or cut outs. **NOTE:** Always use a neutral cure silicone
- STEP 4 -** Install the panel by resting on removable spacers or wedges at the bottom and use 3mm spacers between the panels
- STEP 5 -** Allow to cure for 24 hours.
- STEP 6 -** Remove the spacers and seal the floor and ceiling joints with the neutral cure wet area silicone as Fig. 11.
NOTE: To achieve a smooth finish on the silicone, mix up a 10% solution of mild detergent and water. Spray the solution over the silicone bead before wiping off with the spatula as Fig. 13

Fig. 11

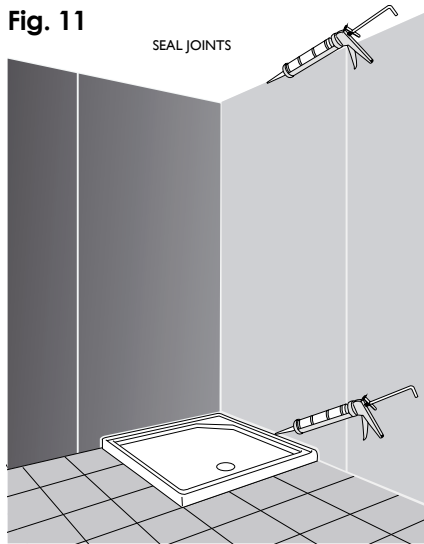


Fig. 12

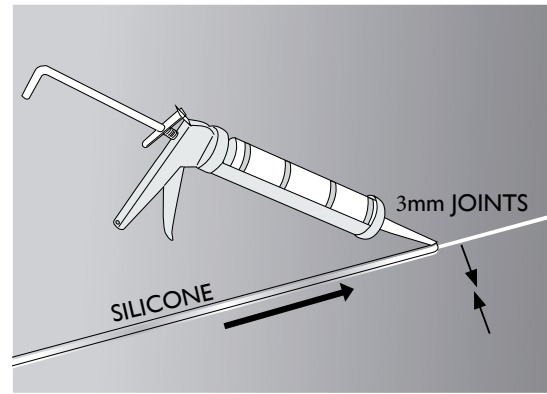
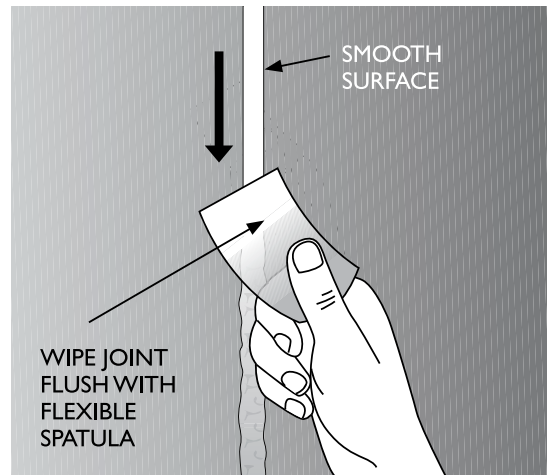


Fig. 13



Important notes:

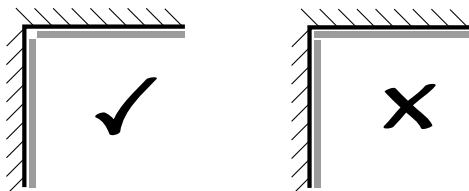


DO NOT use Acetic cure silicone. Always use a neutral cure silicone

DO NOT use Acrylic sealant as it will not bond to the panels

VERY IMPORTANT For corner joints without a trim please see Fig. 14 for panel positioning

Fig. 14



After Care

We recommend you have sufficient ventilation in the bathroom as per general building regulations in order to reduce condensation.

For cleaning, best results are achieved using soft microfibre cloth or chamois with non-abrasive detergent in warm water. Always rinse off with clean water.



DO NOT use brushes or scouring pads on the PVC as this may damage the polished surface

DO NOT use cleaners with high alkaline content such as concentrated bleach

Chemicals Tested

The PVC panel is suitable to use with typical soap, liquid soap, shampoo and conditioners.



For technical assistance please contact
your merchant.

1. The manufacturer expressly disclaims any representations or warranties of any kind, whether express or implied, as to the accuracy, currency, completeness and/or the merchantability or fitness for a particular purpose of any information contained in or provided via this documentation and/or any service or product described or promoted in this document. 2. It is the customer's responsibility to thoroughly examine intended use of the product by a qualified person, to determine whether it is suitable for the application it was purchased for. 3. The receiver of our products is fully responsible to check and to take into account possible third party's patent rights, as well as the existing laws in the country of installation prior to installing our product. 4. No liability may be derived from these images or statements. 5. Printed images are to be used as a guide only.

