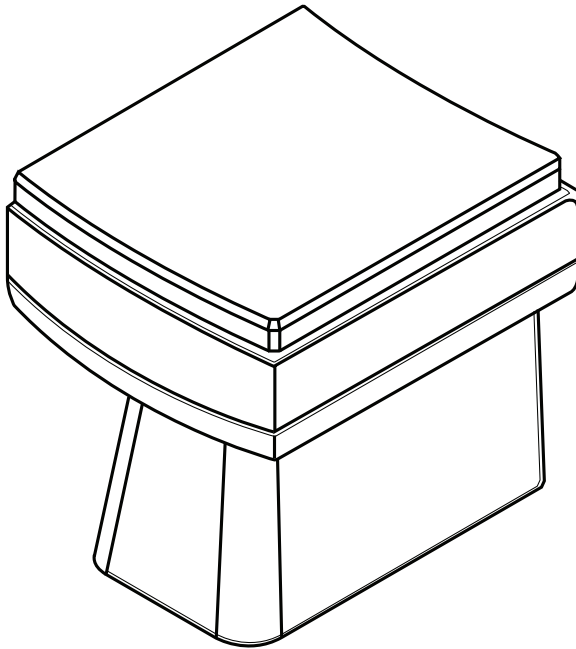




Back to Wall Toilet



Fitting Instructions

Please follow them carefully and
leave this manual with end user

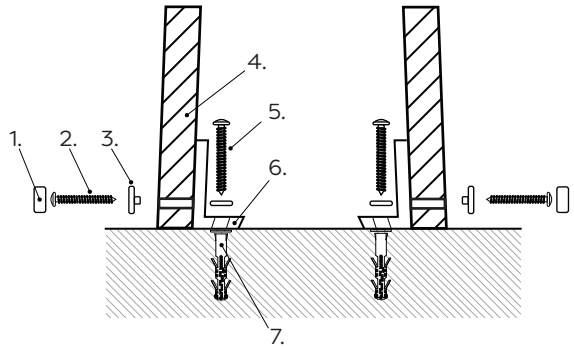
Before you begin:

1. **We recommend that this product is installed by a qualified tradesperson,** Victorian Plumbing Ltd. accept no liability for products incorrectly installed, or where the correct testing procedures have not been adhered to, thus resulting in the escape of water and consequential damage.
2. **Check the chosen floor space for any pipes/cables prior to drilling the floor.**
3. Ensure the incoming mains water supply is switched off prior to commencing the installation.
4. Observe all local plumbing and building codes & regulations.
5. Unpack the product then read these instructions before proceeding. Inspect the product for damage. If any damage is found, contact our Customer Relations team.

Parts:

Floor Fixing Kit (Not Included):

1. Screw Cover
2. Bracket to pan fixing screw
3. Screw cup
4. Floor 'L-shaped' fixing bracket
5. Floor screw
6. Screw washer
7. Rawl plug

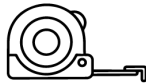


Please note: For toilets which have a side fixing kit and secure directly to the floor, the 'L shaped' bracket is not used.

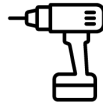
Tools required for installation (not supplied)



Pencil



Tape Measure



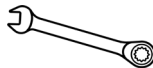
Power Drill



Spirit Level



Screwdriver



Spanner

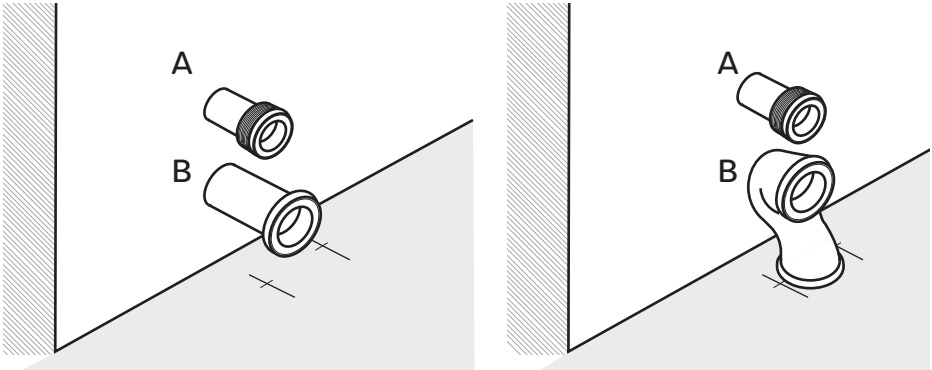


Silicone Sealant

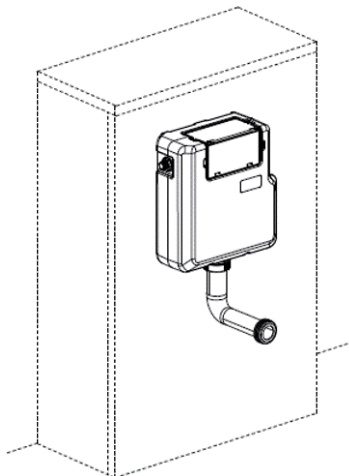
Preparing for back to wall fitting:

- **Please note:** this guide advises on the installation of the back to wall toilet pan only.
- A. Flush Pipe is supplied with the concealed cistern assembly, (cistern sold separately)
- B. Pan connector (waste pipe). Depending on your toilet, the pan connector could be installed through the wall or the floor.

Please note: Pan connector (waste pipe) may need to be purchased separately if a new installation



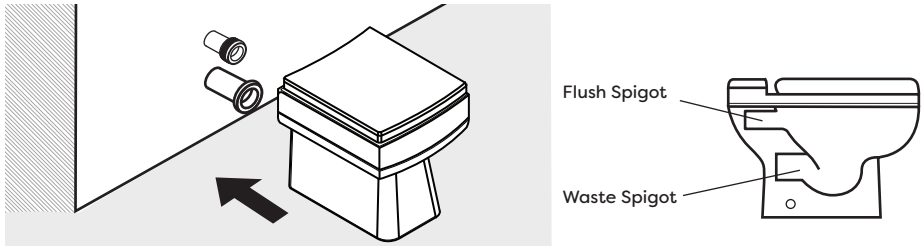
- **Please note:** Pipes are not included.
- Once you have received your toilet pan, this will allow you to prepare and install the cistern and WC unit (both sold separately). To install the cistern and WC unit, please use the instruction guides supplied with them.
- Below example shows the assembly of a concealed cistern and WC unit prior to fitting the back to wall toilet pan.



Installation

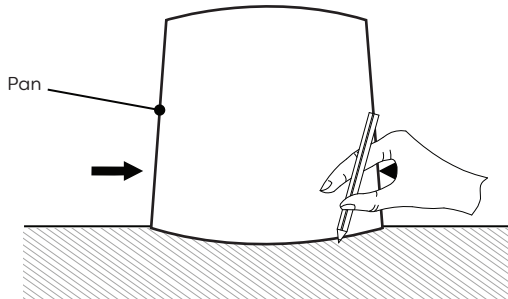
Step 1:

- Prepare the pipes as advised (cutting of the flush pipe and connector may be required).
- Add a small amount of lubricant to the seals on the pipes to assist with the fitting. Push the toilet up to the finished wall with the pipes fully connected.



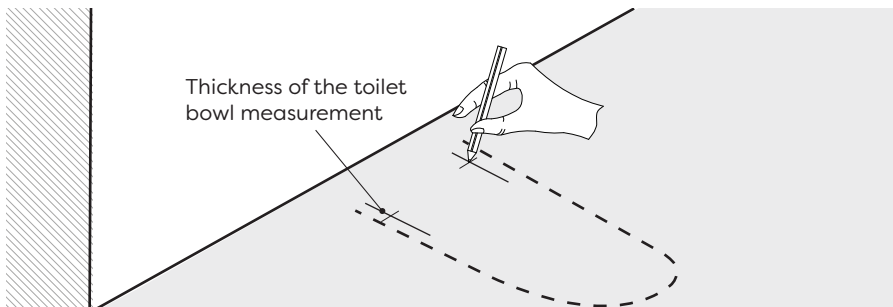
Step 2:

- Ensure that the toilet pan is level and fully backed against the wall. Mark on the outer edge of the pan (on both sides), a line with each fixing hole located in the side wall of the toilet pan.



Step 3:

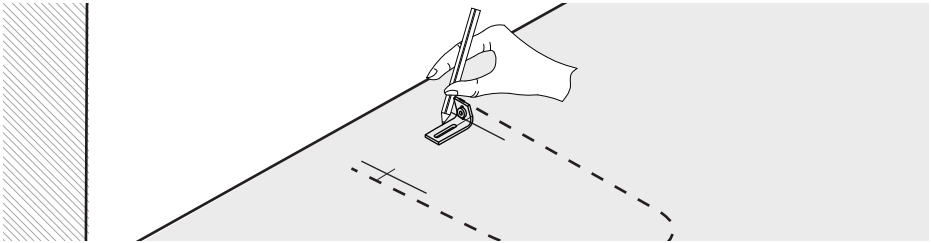
- Remove the pan from the location. Then measure the thickness of the toilet side wall and make another mark inwards from the original mark and in line with the fixing hole. Repeat on the other side.



Step 4:

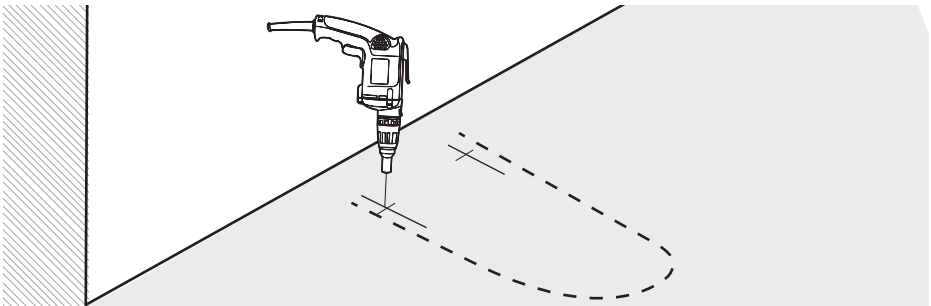
- If using the 'L' shaped bracket assembly, place the front edge of the bracket on the inside mark, then mark the screw hole position to secure the bracket to the floor. Repeat this on the other side.

Please note: For toilets which secure directly to the floor, the 'L' shaped bracket is not used



Step 5:

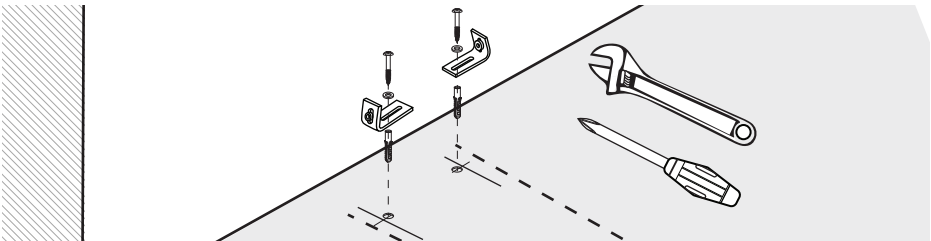
- Remove the brackets and carefully drill the holes, ensuring that no pipes or cables can be damaged.



Step 6:

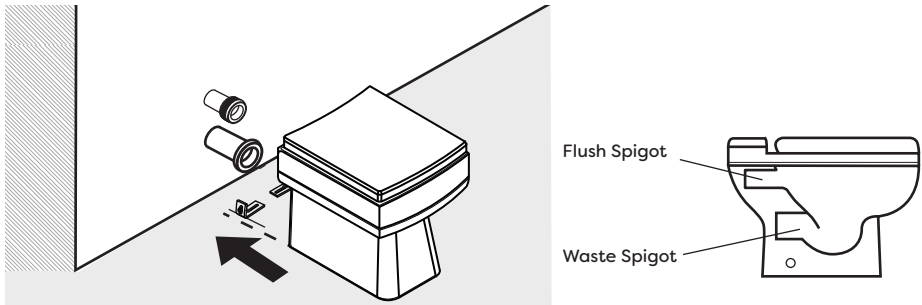
- Insert the rawl plugs into the pre drilled holes if you are fitting into a solid floor. Then place the brackets over the drilled holes/plugs and insert the washers and screws through the brackets and secure into position.

Please Note: this may be either a screwdriver slot or spanner fitting, depending on specification.



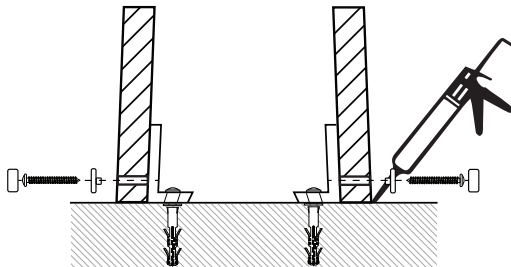
Step 7:

- After securing the brackets, re-fit the toilet pan push the spigots onto the cistern and waste pipes. Align the fixing holes with the floor brackets, add a small amount of lubricant to assist.



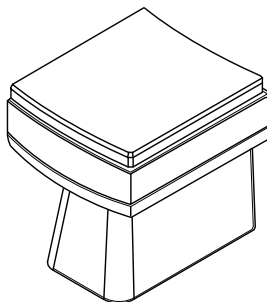
Step 8:

- Once aligned, secure the toilet pan into position using the fixings provided. Finish by pushing on the screw covers. Once installation is completed, apply a small bead of good quality silicone around the bottom edge of the toilet pan. Allow 24 hours for the sealant to fully dry.



Step 9:

- Once assembly is completed, turn on the water supply, check for leaks and check the flush operation.



Troubleshooting

Please note: It is recommended to turn off the water supply via the stop valve before carrying out any internal maintenance.

Flush volume into the pan, not sufficient:

- Adjust the flush volume level on the syphon.
- Check that the syphon is operating correctly.
- If none of these resolve the issue, then replace the syphon.

Water running into the pan continually after flushing:

- Establish if the water level in the cistern is reaching the overflow of the syphon. If it does, adjust the inlet valve. If this continues, replace the inlet valve.
- If the water level does not reach the overflow of the syphon, remove the top section of the syphon and check the washer for damage. If the washer is damaged then replace.

Maintenance

All of the maintenance measures resulting from troubleshooting above requires you to access the internals of the cistern tank and for the water supply to be turned off. Please refer to the instruction guide supplied with your cistern for further guidance.

Cleaning

To maintain the surface finish of your product, wipe the toilet regularly using a clean damp cloth, a mild detergent mixture can be used. Do not use abrasive cleaning agents or materials which can strip and scratch the surface.

Notes:

www.victorianplumbing.co.uk