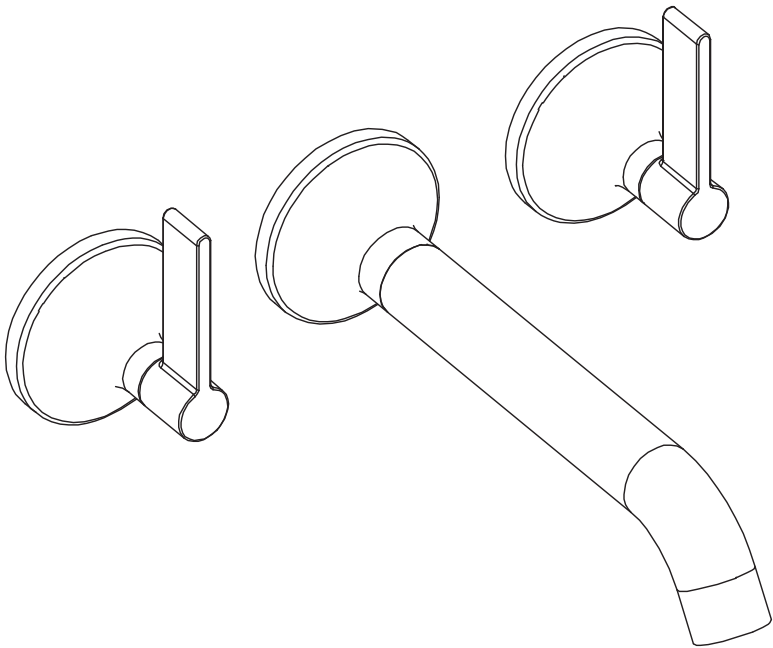




Opus Wall Mounted Basin/Bath Spout & Stop Taps



Fitting Instructions

Please follow them carefully and
leave this manual with end user

Before you begin:

1. **We recommend that this product is installed by a qualified tradesperson,** Victorian Plumbing Ltd. accept no liability for products incorrectly installed, or where the correct testing procedures have not been adhered to, thus resulting in the escape of water and consequential damage.
2. Ensure the incoming mains water supply is switched off prior to commencing the installation.
3. Observe all local plumbing and building codes & regulations.
4. Unpack the product then read these instructions before proceeding. Inspect the product for damage. If any damage is found, contact our Customer Relations team.

Fig. 1

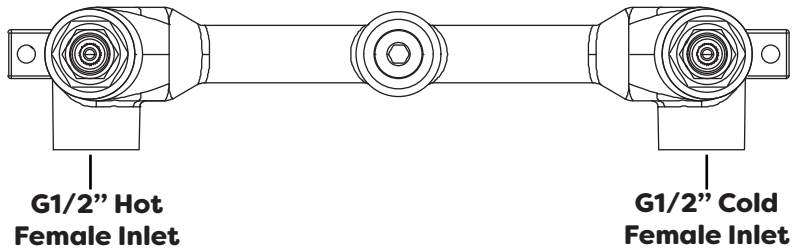
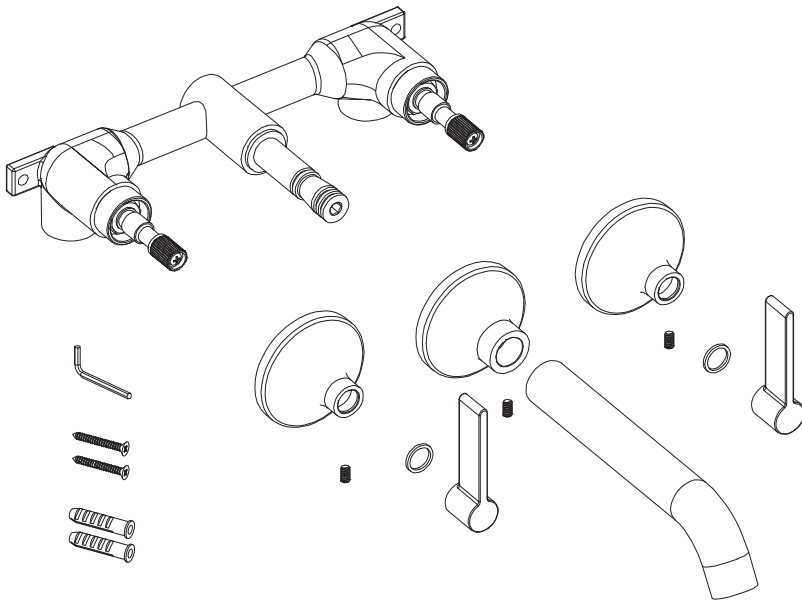


Fig. 2



Diagrams are for illustration purposes only. Your Wall Mounted Bath/Basin Tap may superficially differ from this drawing however the installation guide steps still apply.

Installation:

1. Determine the fixing position for the valve and make a recess in the wall to house the valve. The depth of the recess should be around 53.5mm within the finished wall surface to fit the cover plate correctly.
2. Insert the valve into the wall recess, then mark the fixing points with the mounting lugs that are cast on the valve body. Pull the valve out and drill suitable length holes at the marked positions. Insert the supplied rawl plugs into the pre-drilled holes.
3. Prior to installation and connecting make sure that the pipes are thoroughly flushed to remove any debris etc. (failure to do this will impair the flow of the water).
4. The Plumbing connections should then be made to the hot and cold inlets which are clearly marked (**see Fig. 1**). The hot water inlet is to be connected with the hot supply on the left of the valve and the cold water inlet is to be connected to the cold supply on the right of the valve. Make sure that they are correctly connected, otherwise the thermostatic cartridge will lose its function of controlling the temperature and may scald.
5. Make the plumbing connection to the water outlet. The plumbing connections on the inlets and outlets are 1/2" BSP female thread. It is recommended to apply PTFE tape to all thread connections to ensure a water tight seal.
6. Place the valve body over the holes and secure into place using the screws provided.
7. Turn on the water supply to ensure that there are no leakages.
8. Proceed to finishing the wall surface, leaving enough space for the control handles and spout.
9. Fit the control handles, and basin/bath spout to the valve using the grub screws provided. Be careful not to overtighten. (See below "Fitting the handles & Spout")
10. Turn on the water supply and check all connections for any leaks.

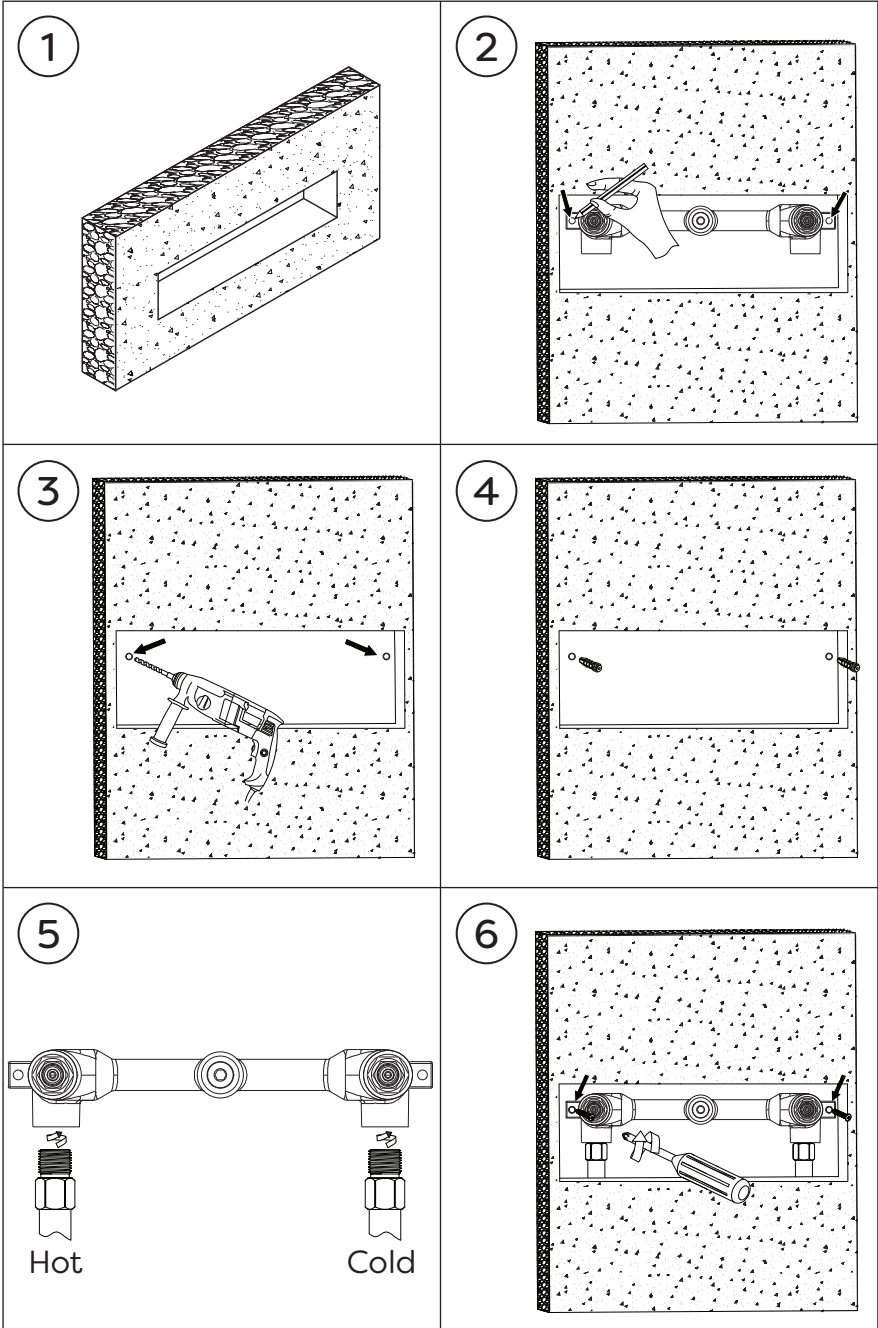
Fitting the handles & Spout:

1. Unscrew the threaded grub screw from within the control handle using the Alan Key provided. Take care not to lose these items.
2. Place the control knob onto the valve shaft. Secure the control knob using the threaded grub screw and tighten with the Allen Key provided. Repeat this task for the other control handle.
3. Unscrew the threaded grub screw from within the spout using the Alan Key provided. Take care not to lose these items.
4. Place the spout onto the valve shaft. Secure the spout using the threaded grub screw and tighten with the Alan Key provided.

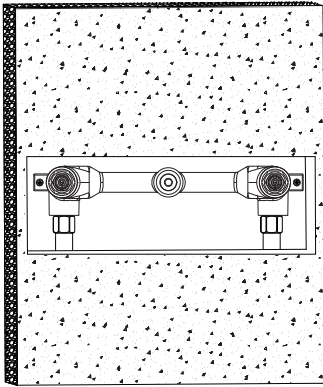
Operation Notice:

1. The recommended working pressure for this product is 0.5bar - 1.5bar.
2. Ensure that the basin/bath tap is in the off position during periods of non-use.
3. Take measures to ensure the basin/bath tap is not subjected to temperatures below 0°C freezing.
4. It is recommended that a qualified tradesperson should disassemble this valve.

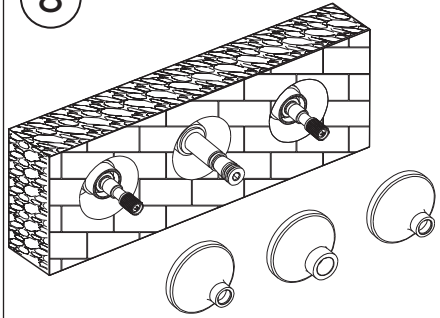
Diagram:



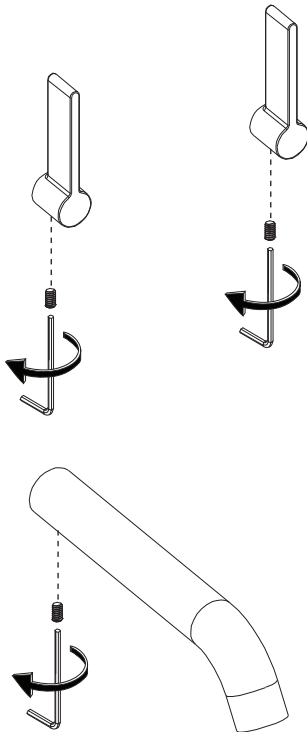
7



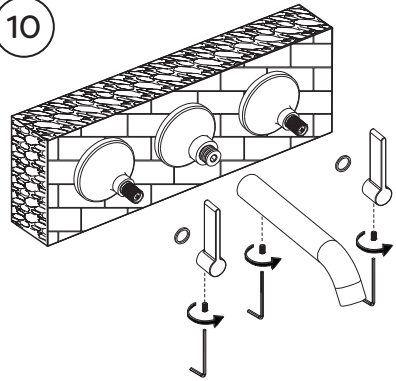
8



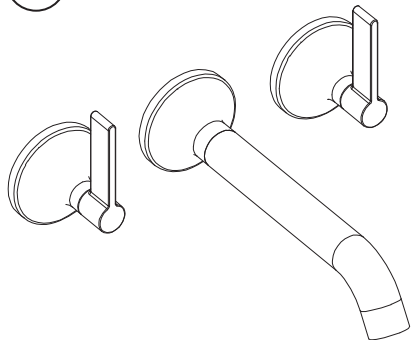
9



10

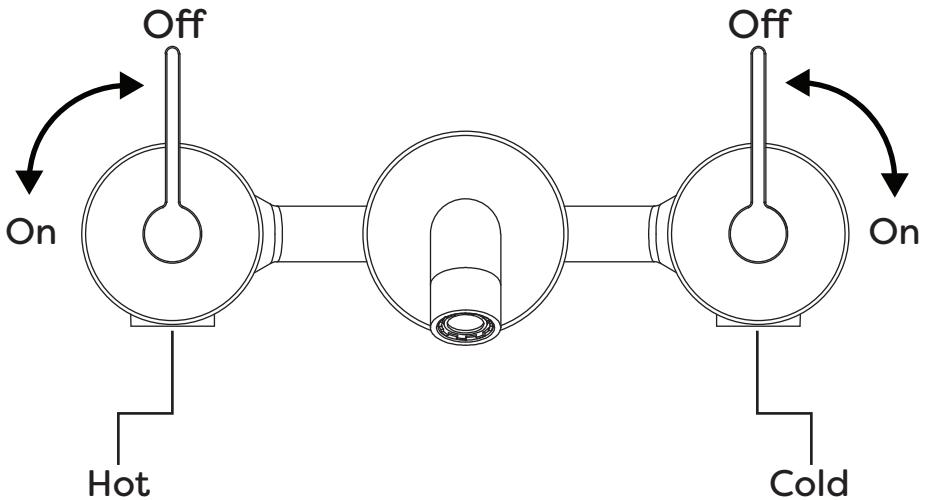


11



Diagrams are for illustration purposes only. Your Wall Mounted Bath/Basin Tap may superficially differ from this drawing however the installation guide steps still apply.

Operation:



Ensure that the control handles are positioned correctly to avoid obstruction.

Aftercare:

Always clean the surface of wall mounted basin/bath tap to keep it bright. **Attention:** please do not use inappropriate tools such as sharp brushes, rough sponges, scouring pads or corrosive detergent to clean the basin/bath tap. Please clean the basin/bath tap by wet cloth and soapy water after each time of usage. Then rinse the soap out with clean water and dry with a soft cotton cloth.

Recycling and Disposal:

Please recycle the packaging in accordance with your local government regulations on waste handling and follow the same advice at the end of the products life.

Troubleshooting

FAULT	POSSIBLE CAUSE
Basin/Bath only runs hot or cold after installation	<ol style="list-style-type: none">1. Hot and cold supplies have been plumbed the wrong direction.2. Faulty thermostat.3. Insufficient water pressure.
Basin/Bath does not run hot enough	<ol style="list-style-type: none">1. Check the hot water supply temperature.2. Blockage in the hot supply.
Hot water in cold supply or vice versa	<ol style="list-style-type: none">1. Check and clean non-return valves.2. Check Hot and Cold supplies have not been reversed during installation.
Low or no flow	<ol style="list-style-type: none">1. Possible blockage/debris in the system.2. Operating conditions are incorrect.
Leaking when in the off position	<ol style="list-style-type: none">1. Debris in the flow control cartridge.2. Faulty control cartridge.

Notes:

www.victorianplumbing.co.uk