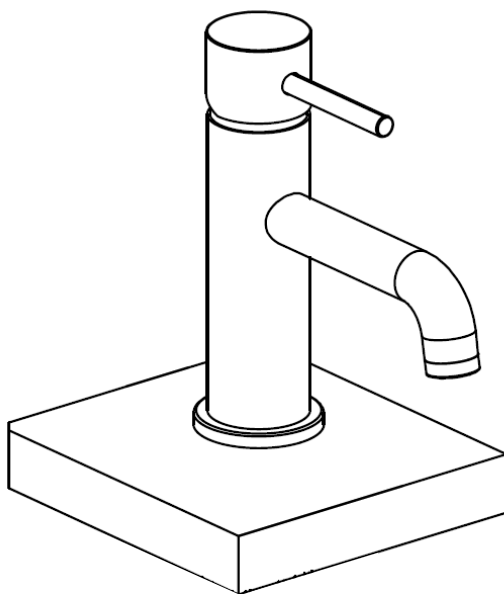


Opus Mono Basin Tap Brushed Brass OPMBM-BB

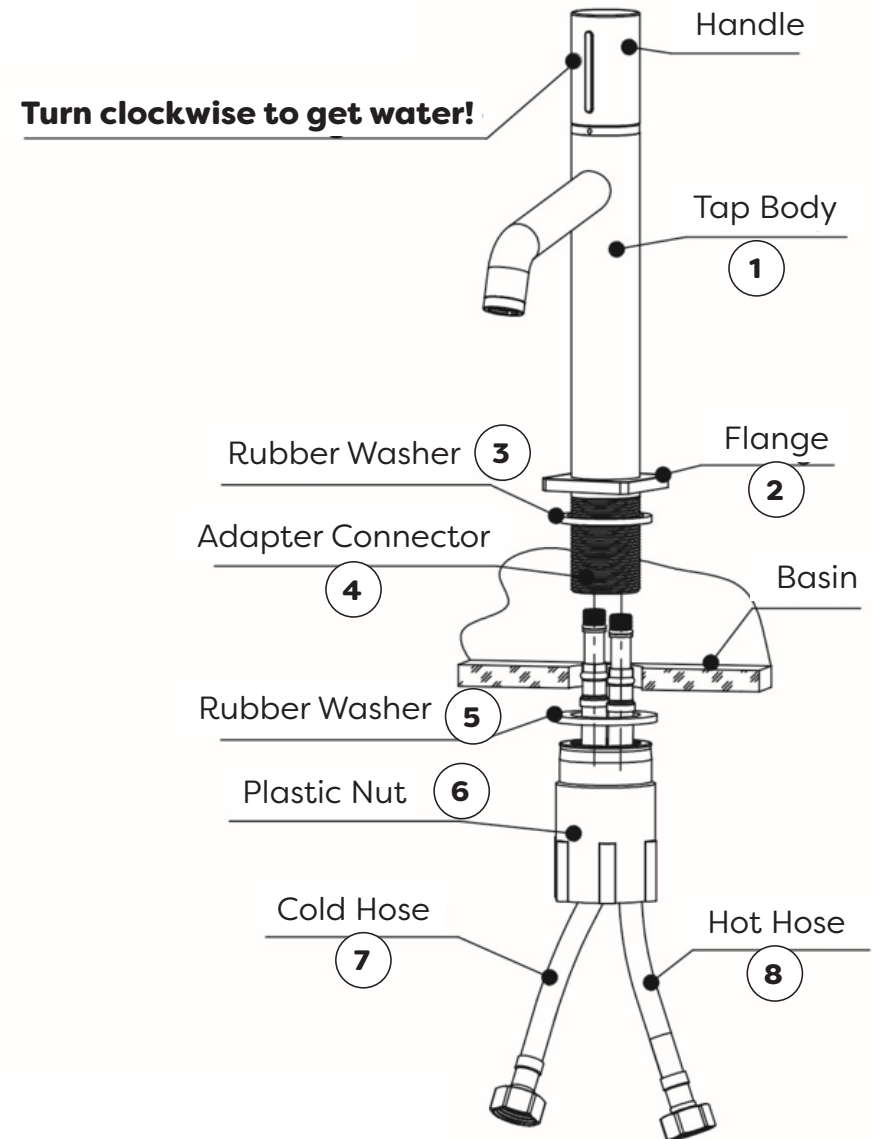
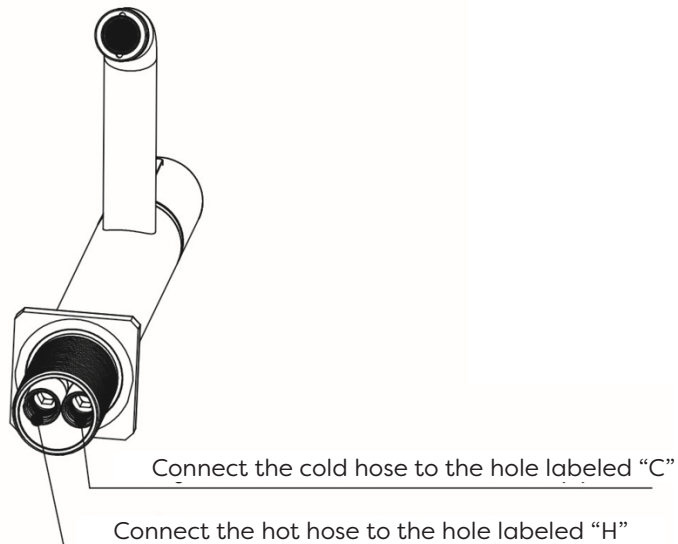


INSTALLATION INSTRUCTIONS

Please follow these care instructions to ensure your product retains it's high quality finish and please retain this leaflet for future reference.

Installation

1. Remove plastic nut (6), rubber washer (5), & rubber washer (3) from the tap body (1)
2. Place the tap body (1) into the hole of the basin
3. Thread the hot hose (7) through the adapter connector (4), and connect it to the Left side of the tap marked "H". Repeat the above with the cold hose (8) and connect to the Right side of the tap marked "C" (ensure rubber washer (3) and flange (2) are above the basin)
4. Place the rubber washer (5) onto the adapter connector (4) and secure the whole unit using plastic nut (6)
5. Ensure the tap body is secured and connect the hot hose (7) & cold hose (8) to the pipes separately
6. Check all joints and connections for leaks before use



Diagrams are for illustration purposes only. Your tap may superficially differ from this drawing, however the installation guide steps still apply.

WARNING!

We recommend that this product is installed by a qualified tradesperson and we accept no liability for products fitted incorrectly, and where the correct testing procedures have not been used, resulting in the escape of water.