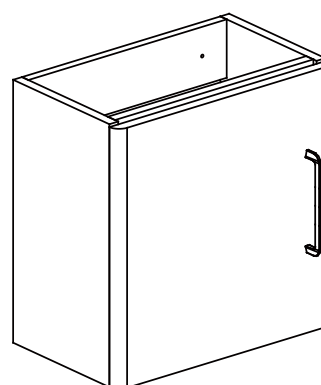


# Installation Manual



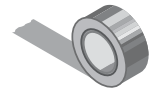
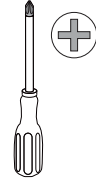
# Tools List



φ8



φ8



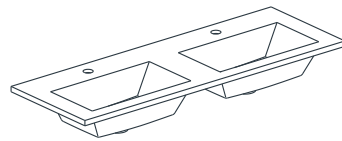
# Parts List

## Fixed System1

### Cabinet



### Basin



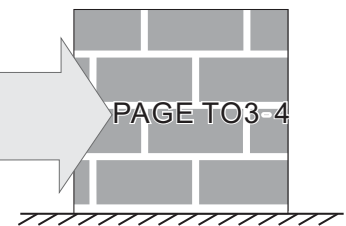
### Fixed Accessories



φ4\*70

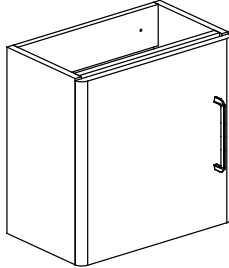


φ8\*40

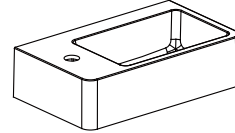


# Parts List

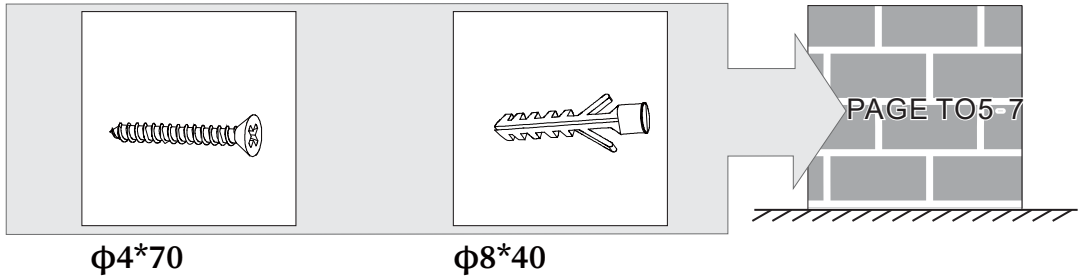
## Cabinet



## Basin



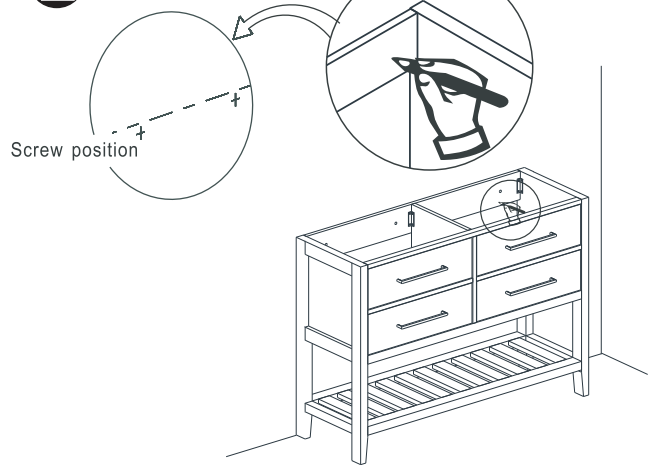
## Fixed Accessories



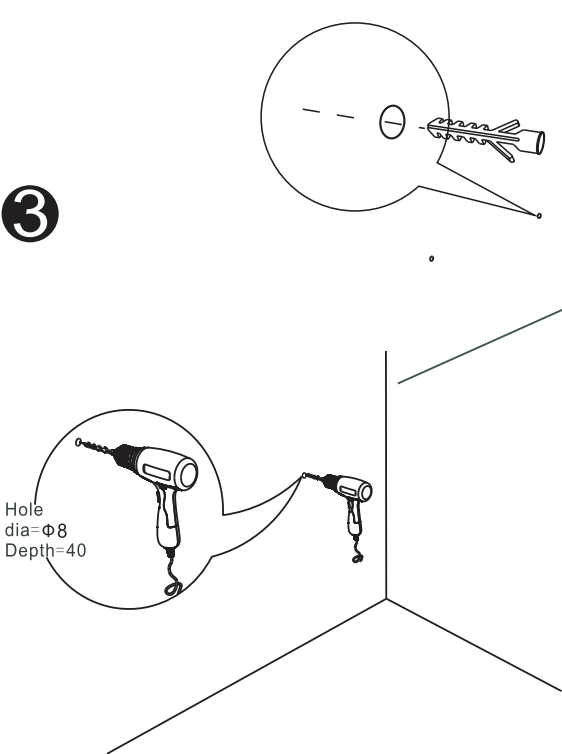
1



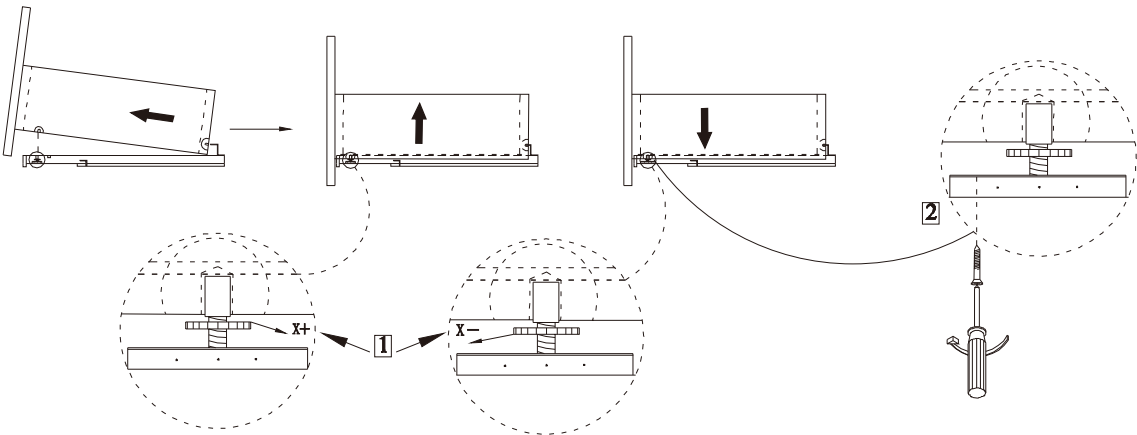
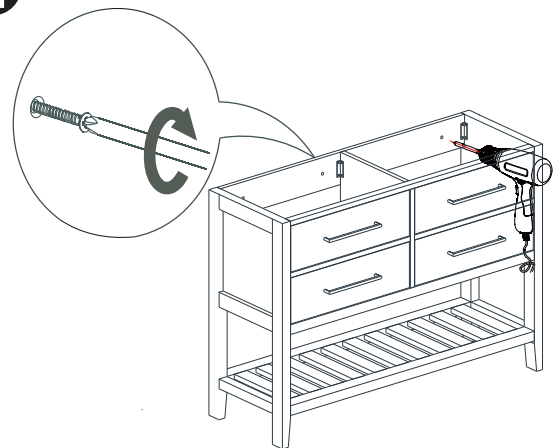
2



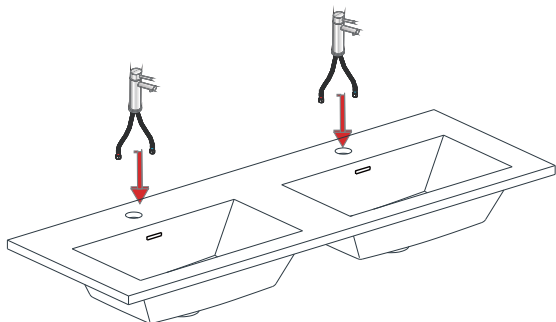
3



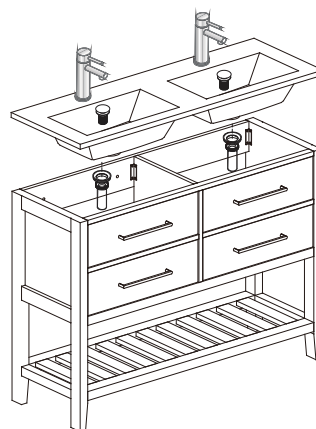
4



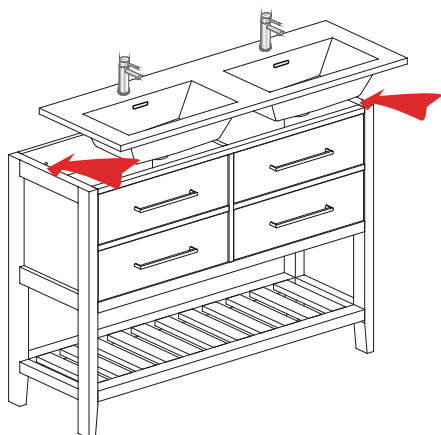
1



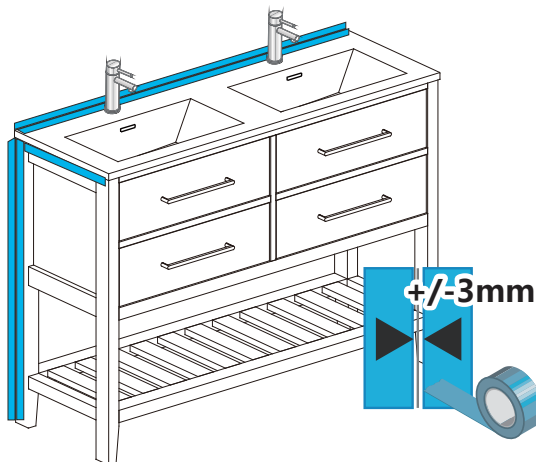
2



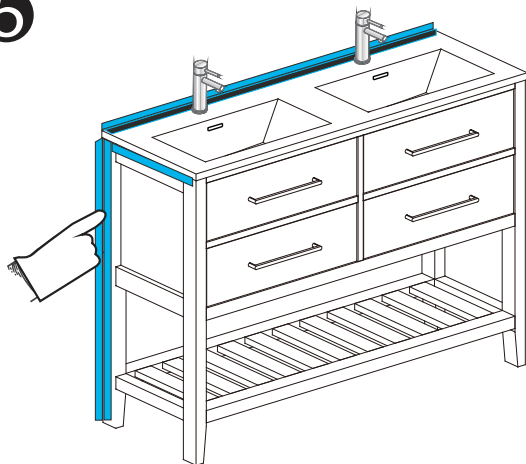
3



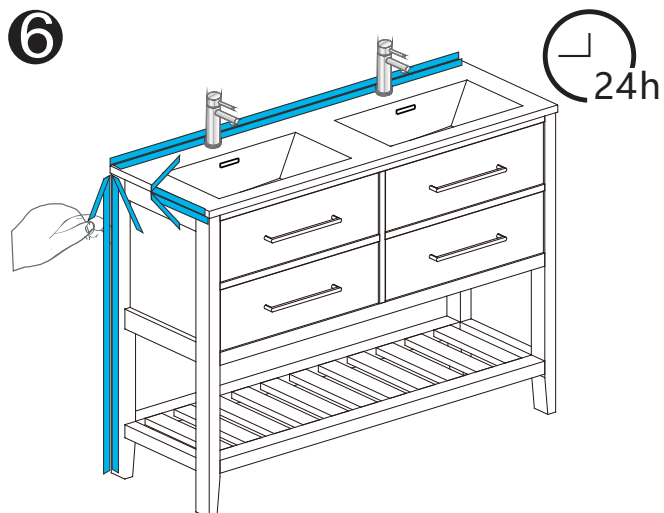
4

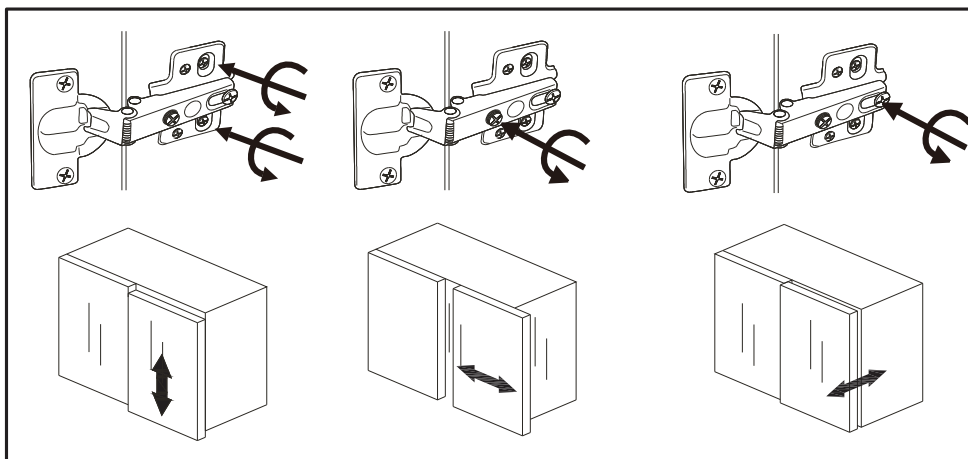
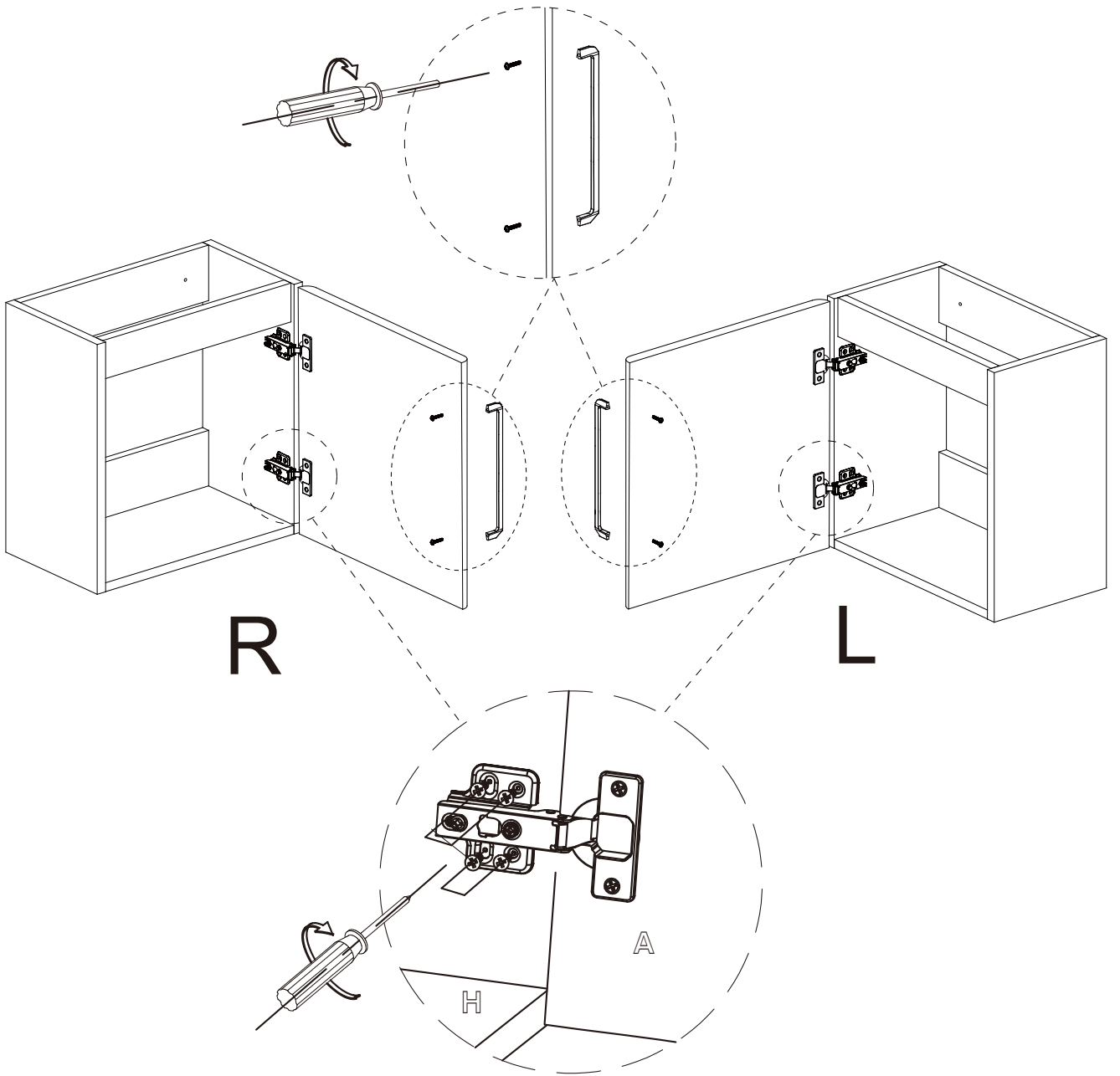


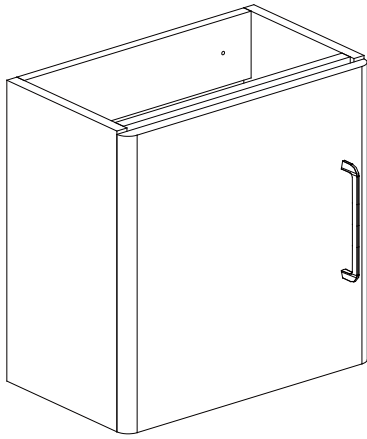
5



6

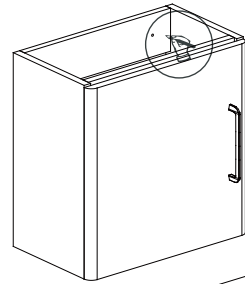
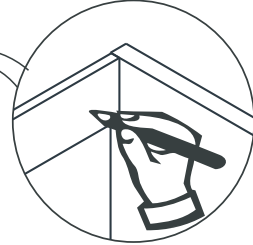
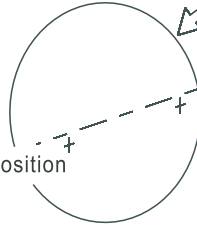




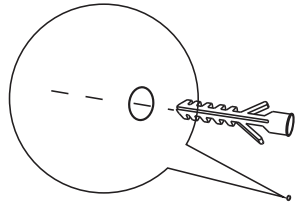


1

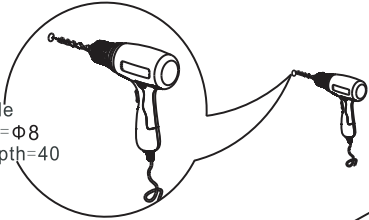
Screw position



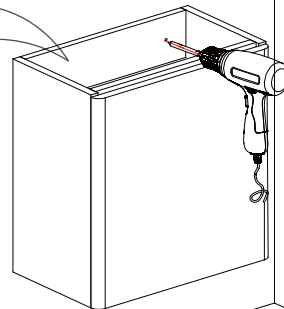
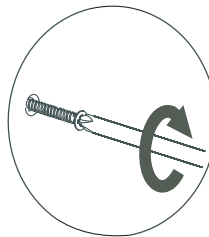
2



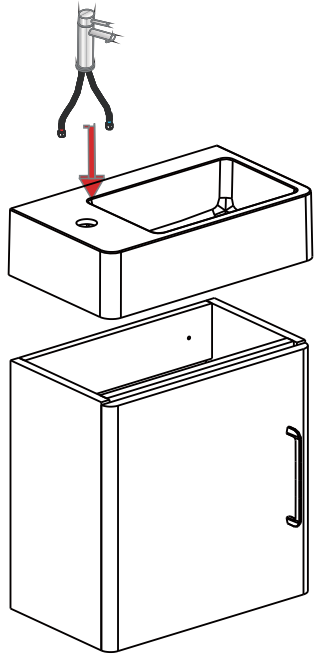
Hole  
dia= $\Phi 8$   
Depth=40



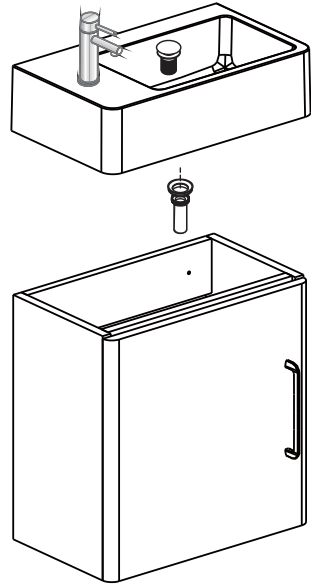
3



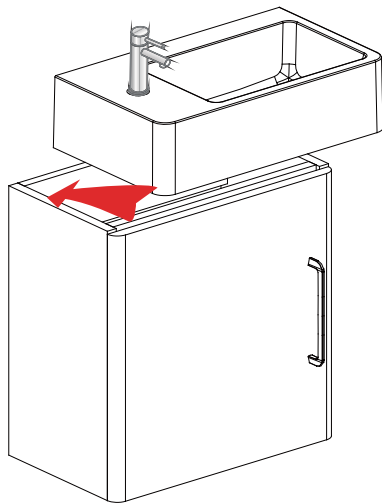
1



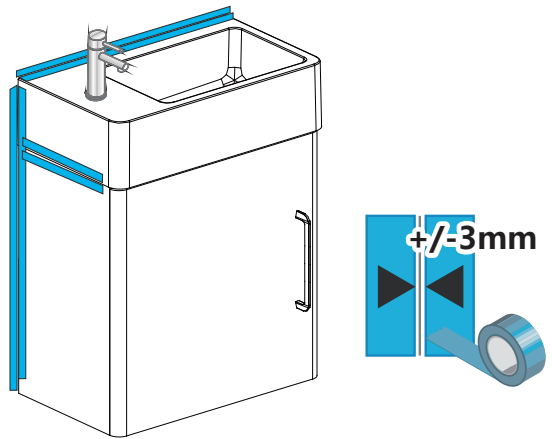
2



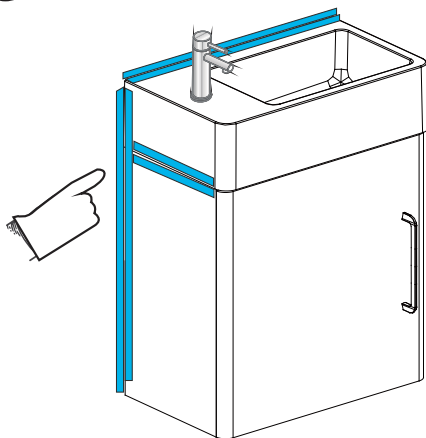
3



4



5



6

