

INSTALLATION INSTRUCTIONS FOR IP44 ILLUMINATED MIRRORS

Before installing this product pay special attention to these instructions. It is recommended that this product is installed by a qualified electrician to IEE wiring regulations (BS 7671) and current building regulations. These products can safely be fitted into Zone 2. See lighting regulations diagram.

Installation steps

1. Prior to commencing work isolate the power supply cable at the main fuse box.
2. Check that there are no other concealed cables or pipe work in the intended installation area (check the entire area).
3. Make sure that it is at the correct height and level. Using a suitable marker through the fixing holes mark the position of the holes on the wall.
4. Using the correct size drill bit for the wall fixing drill holes in the marked locations. (Please note that for certain wall types i.e. plasterboard walls, the wall fixings supplied are not recommended)
5. Place the rawl plugs into the holes. Feed the supply through the central rubber grommet, position the back plate and secure using the correct fixings (the rubber washers provided must be used to ensure no water can penetrate into the fitting).
6. Connect the supply cable to the connector block as shown in the wiring diagram. Ensure the conductors are fully inserted into the terminals and no loose wire strands are protruding. Fully tighten the screws on the terminals making sure that the screw clamps onto the conductor and not the insulation.
7. Fix the mirror to the wall.
8. Finally power On the mirror by pressing touch switch or waving hands below/infront of motion sensor or pressing the rocker switch(**please refer to technical page for functions/features specific to your product**).

Cleaning Instructions

In order to maintain the quality finish of this product please do not use any abrasives or solvents when cleaning this product. Use only a damp cloth for cleaning this product.

Do not allow water to stand on any part of the mirror.

Please clean any spillage that may affect the quality of the finish as described above.

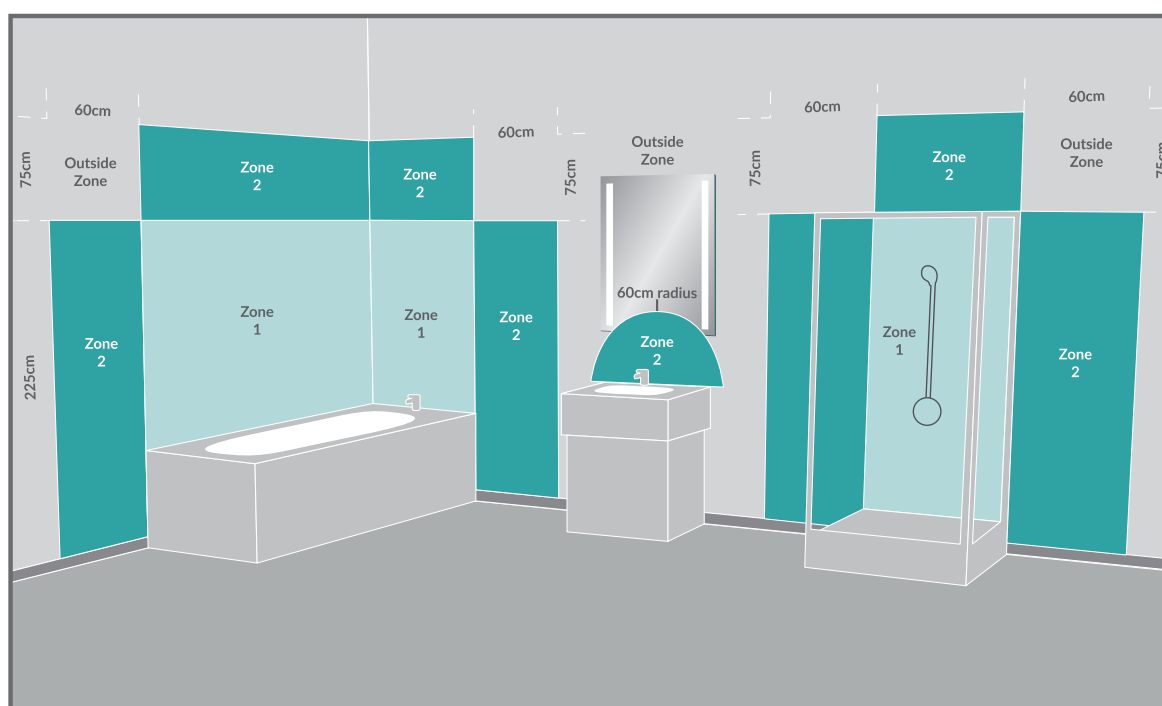
Special care

Care Should be exercised when cleaning this product. Although its finish is extremely durable, it can be damaged by harsh abrasives and cleaning pads. To clean, use a light, non-abrasive cleaning solution or cleaning polish.

Packing information & installation

Package content:

- LED Backlit Mirror
- Screws
- Manual
- Technical page



Attention: Installation and connection to electric wiring must be done by a professional electrician in compliance with local and national requirements for electrical installations.

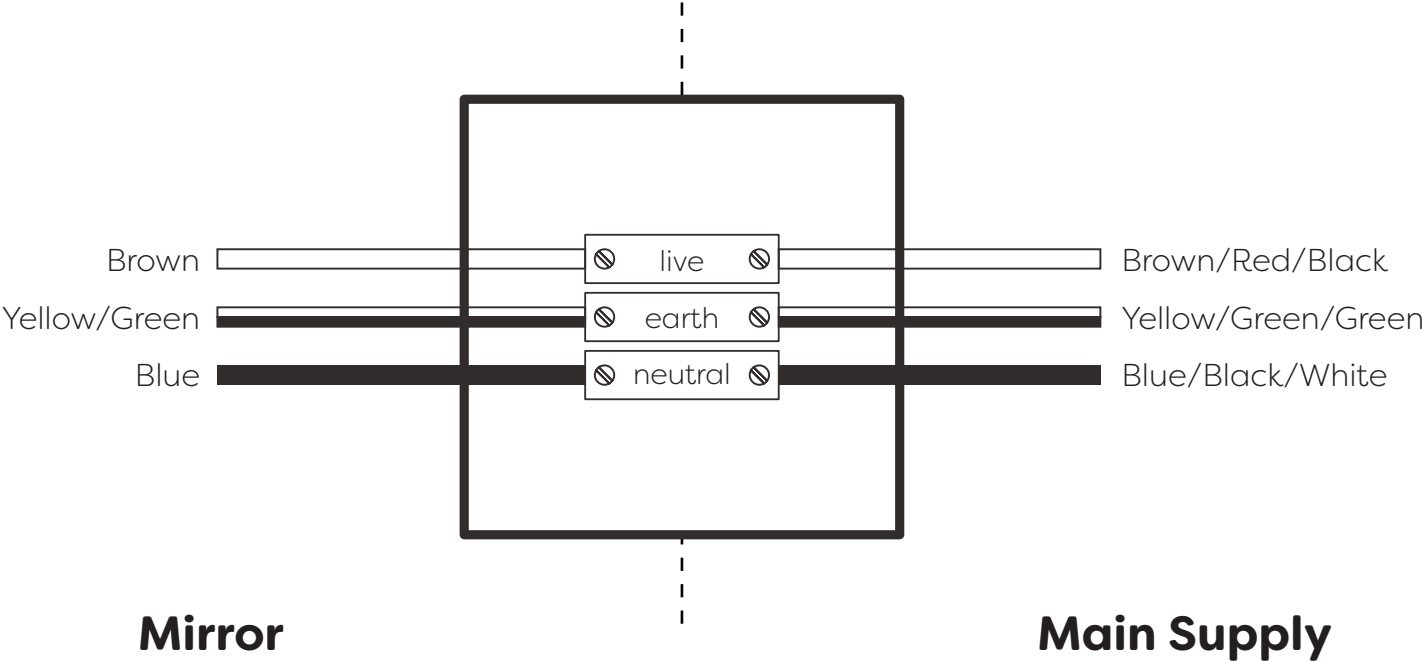
Never modify the construction or add any parts which are not offered as spare parts or accessories by the manufacturer of the luminaire. Any unauthorized modification might result in weak mounting and risk that parts of the luminaire can fall down from the wall.

Warning: Always switch off the Electrical supply at the mains during installation and maintenance.

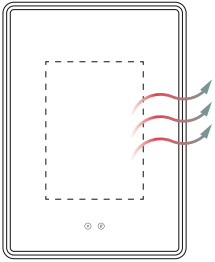
Warning: This product must be earthed.

Note: Install the mirror at least 15cm. away from the basin.

Electrical Wiring

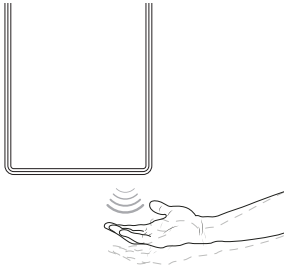


Functions



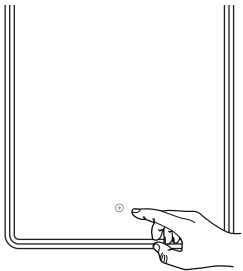
Heated Demister Pad

Demister pads heat the surface of the mirror above room temperature removing the mist on the surface. If your mirror comes with a demister then it will turn off/on using main power button/sensor. It takes 3-4 minutes for complete heat up and fog removal. For some special models there might be a special button to control demister.



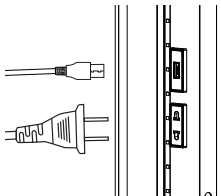
IR Sensor

The IR sensor switch can be used to perform multiple functions: Wave hands in front of sensor to change led color or turn lights on/off. When the lights are on, placing hands in front of sensor can change brightness of light. **(Note: Color change and dimming functions are applicable only if mentioned on your products technical page)**



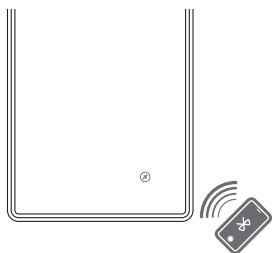
Touch Sensor

The touch sensor switch can be used to Turn Led Lights. You can tap the touch sensor for On/Off. If your mirror comes with color changing strips then you can long press the touch sensor to change colour from warm(3000k) to white(6000k). **(Note: For some models pressing the touch button also controls Demister. Also for some models the color changes by tapping instead of long press. Please refer to Technical page for product features)**



Shaver Socket/USB

You can plug your shaver/electric toothbrush to the socket on side of mirror.



Bluetooth

If your comes with an inbuilt Bluetooth. You can scan and connect to "My Mirror" after pressing the Bluetooth button on your mirror. Once connected you will hear a beep sound followed by which you can play sound. **(Note: If their is no separate Bluetooth button on mirror then Bluetooth turns on automatically when connected to power source).**

Time/Temperature Display



If your mirror comes with this small screen then you can view time and temperature. To adjust the time, long press the button adjacent to screen. When the display starts blinking you can adjust time by tapping the two buttons.

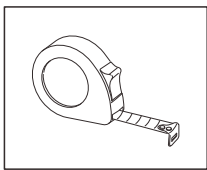
NOTE: This is a general instruction manual for all lighted mirrors. The functions mentioned here may/maynot apply to your product model. For applicable functions please refer to technical page provided together with this manual.

Hanging the mirror

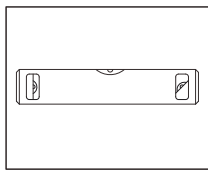
Installation Procedure

To ensure the normal use of this product, it is required you set out wires as per the regulations of IEE at the installation places. This product should be installed on a wall suitable to hold its weight. The installation must be carried out by a professional electrician and wrong installation may lead to product damage and personal injury.

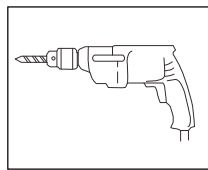
Installation Tools



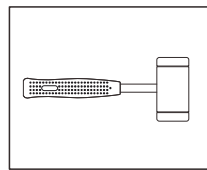
Measuring tape



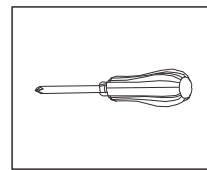
Spirit level



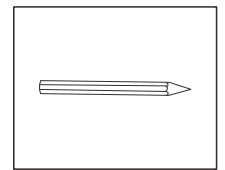
Drill



Hammer

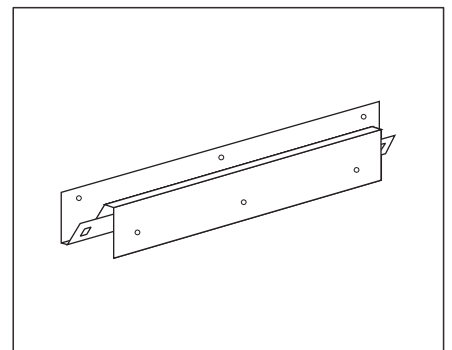
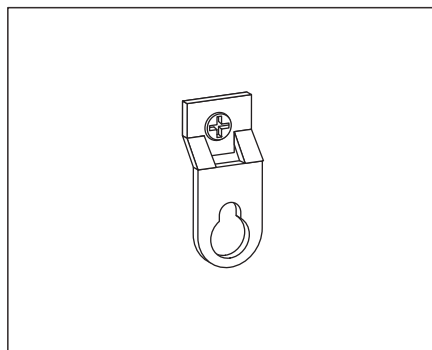
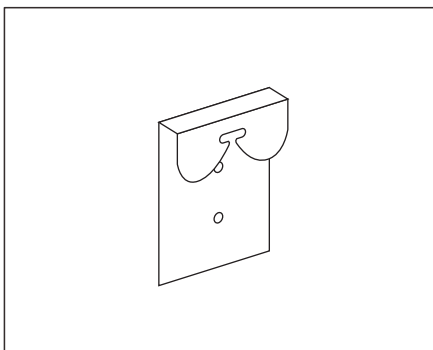
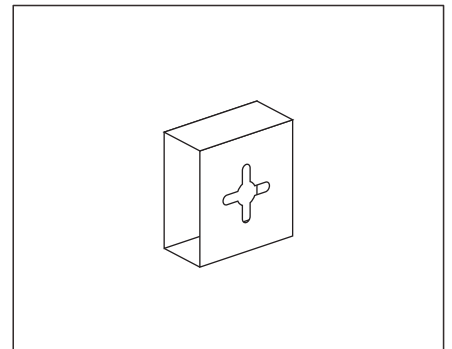
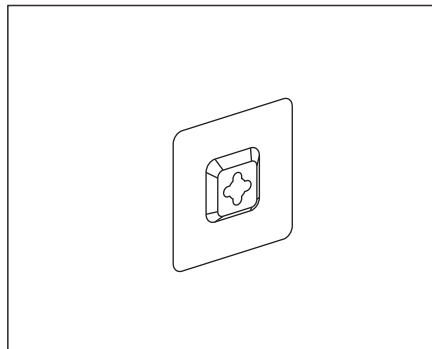
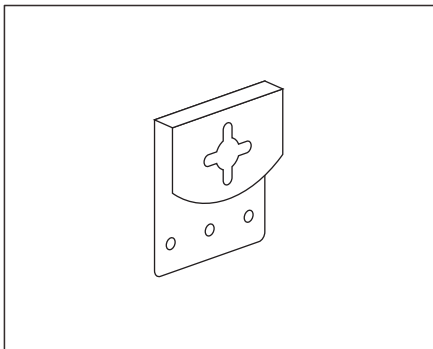


Screwdriver



Pencil

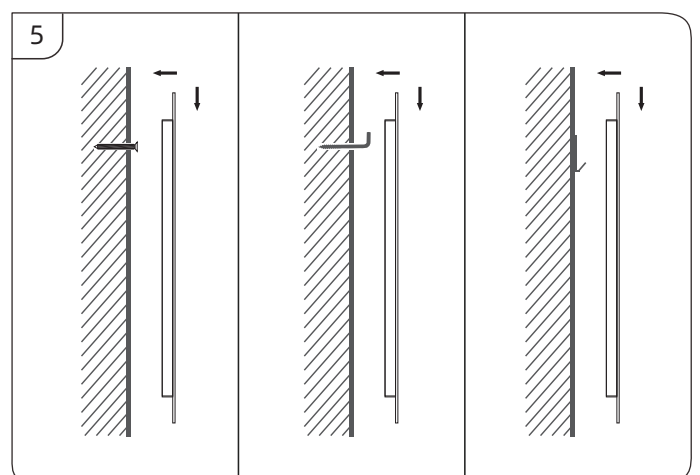
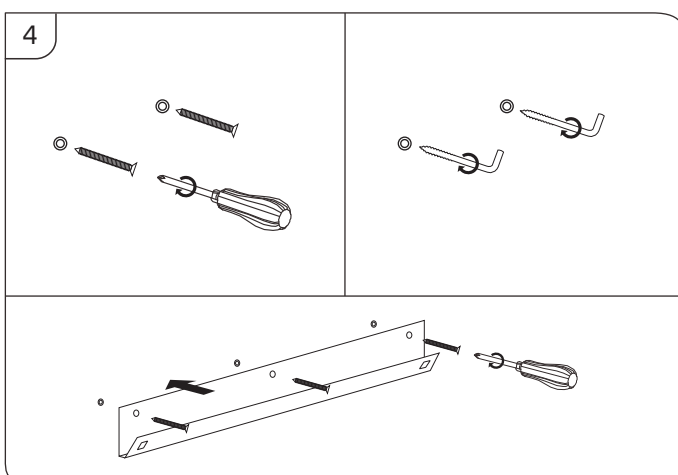
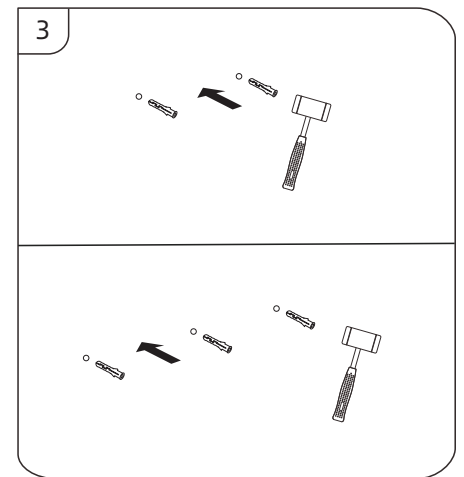
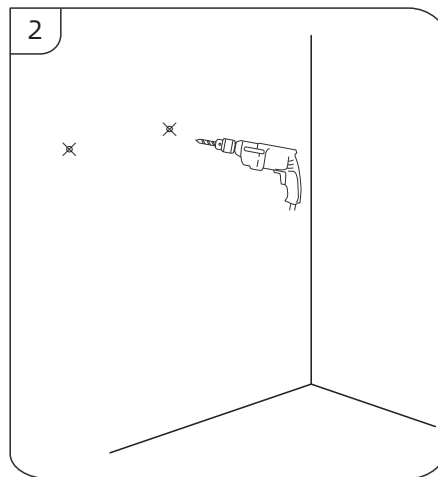
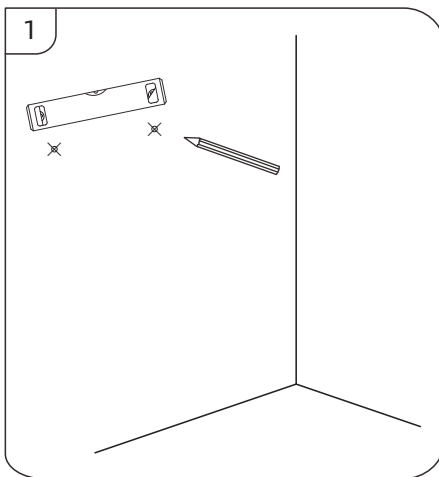
Type of Hanging Brackets



Hanging the mirror

Installation Steps

1. Make certain the wall is solid and suitable to safely accommodate the mirrors overall weight when installed. Measure and mark with a pencil, the position of the fixing bracket, securing screws & plugs while checking with a spirit level that the bracket is perfectly level.
2. Choose a drill with an appropriate drill bit to make two (or more) holes at the marked places, and use a special ceramic drill if the wall surface is made of ceramic tiles.
3. Insert Rawl plugs into drilled holes, and then screw the hook into the hole.
4. Switch off the power, and then use a terminal block to connect the three-core exposed wires with your incoming mains cable feed.
5. Hang the product on the wall hook.
6. Finally switch on the power by pressing the switch or waving hands below/in-front of sensor to test the product.



Recycling and disposal

Please recycle the packaging in accordance with your local government regulations on waste handling, and follow the same advice at the end of the products life.

For more Information

Visit: victorianplumbing.co.uk