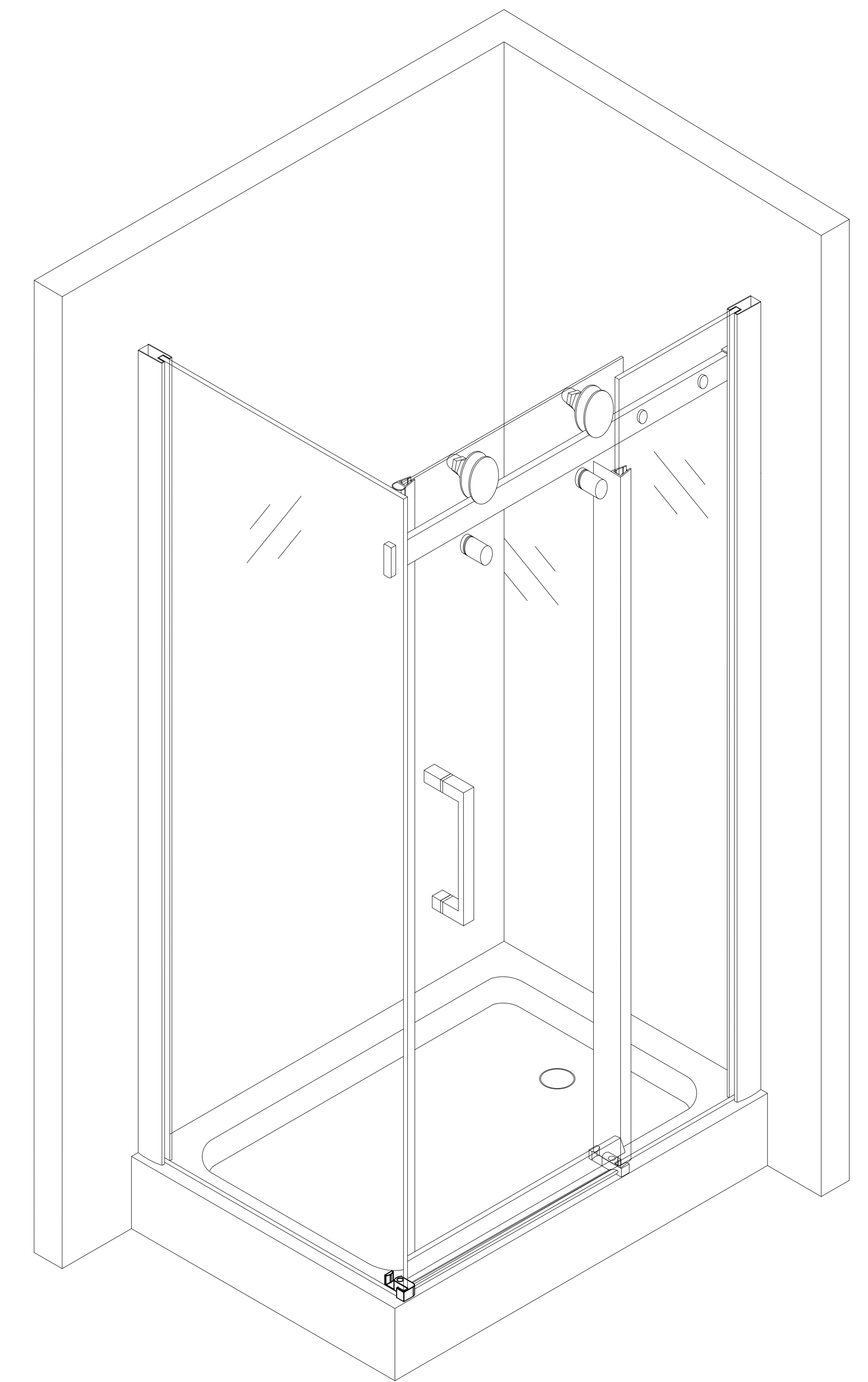
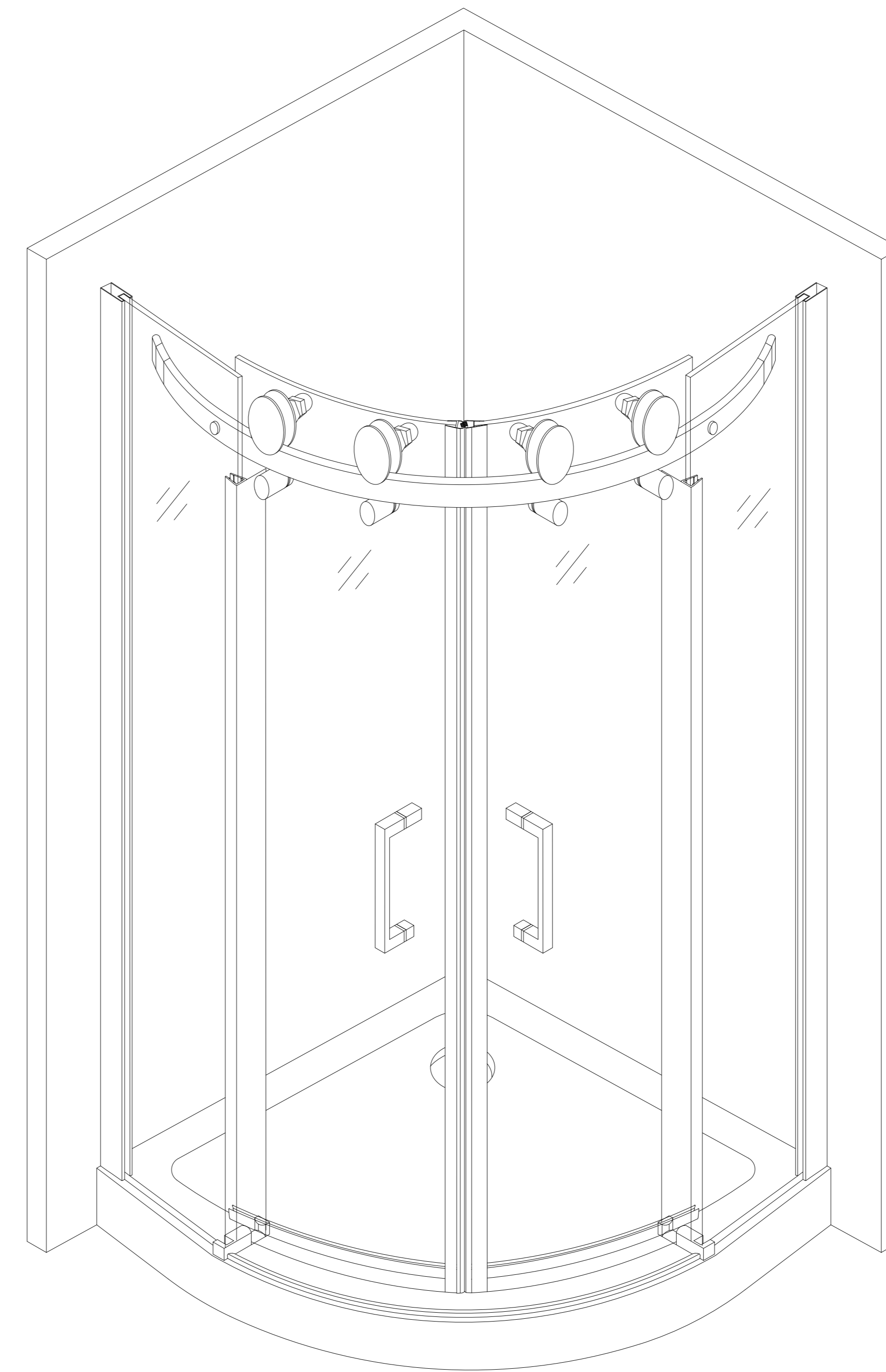
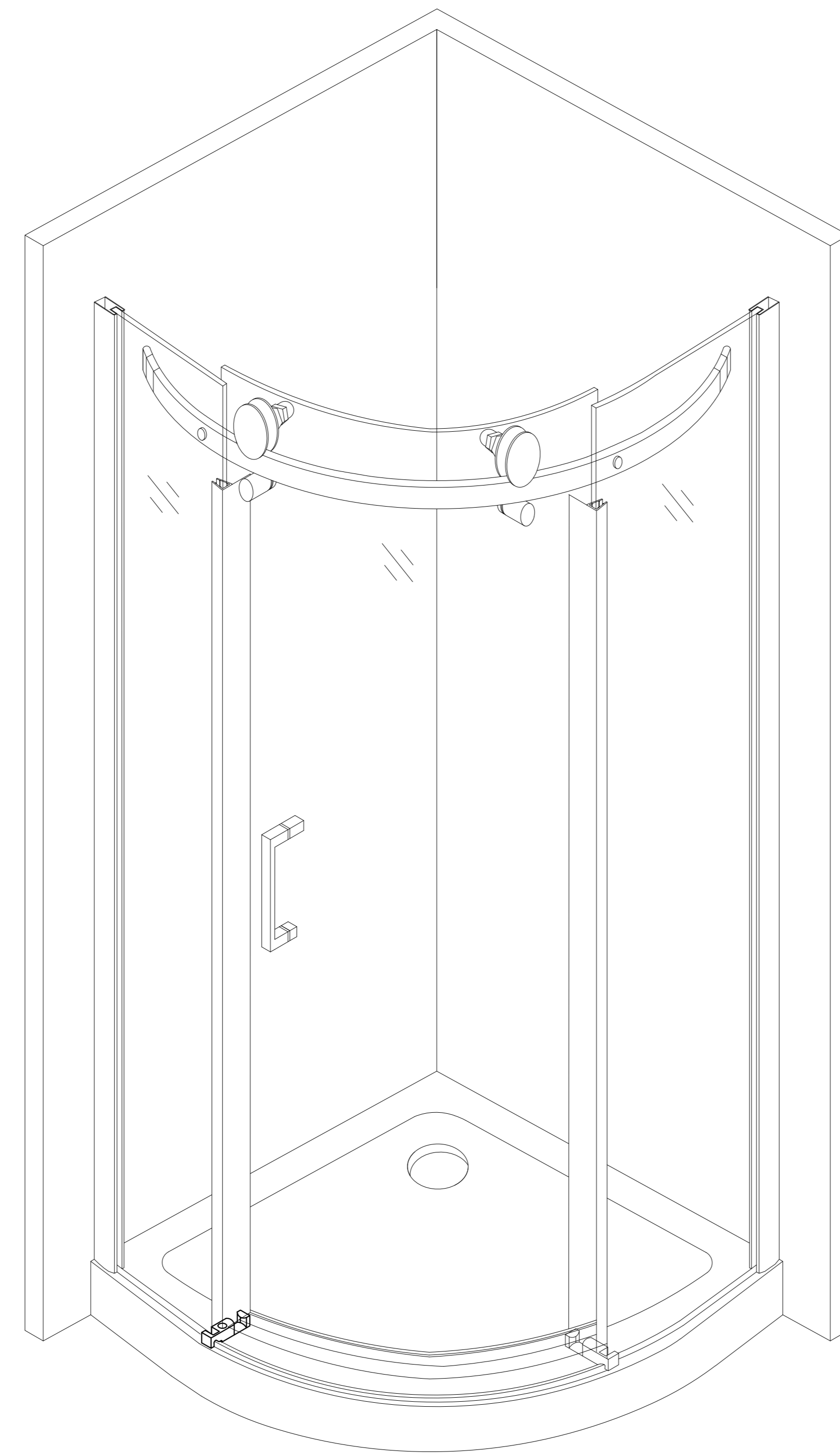
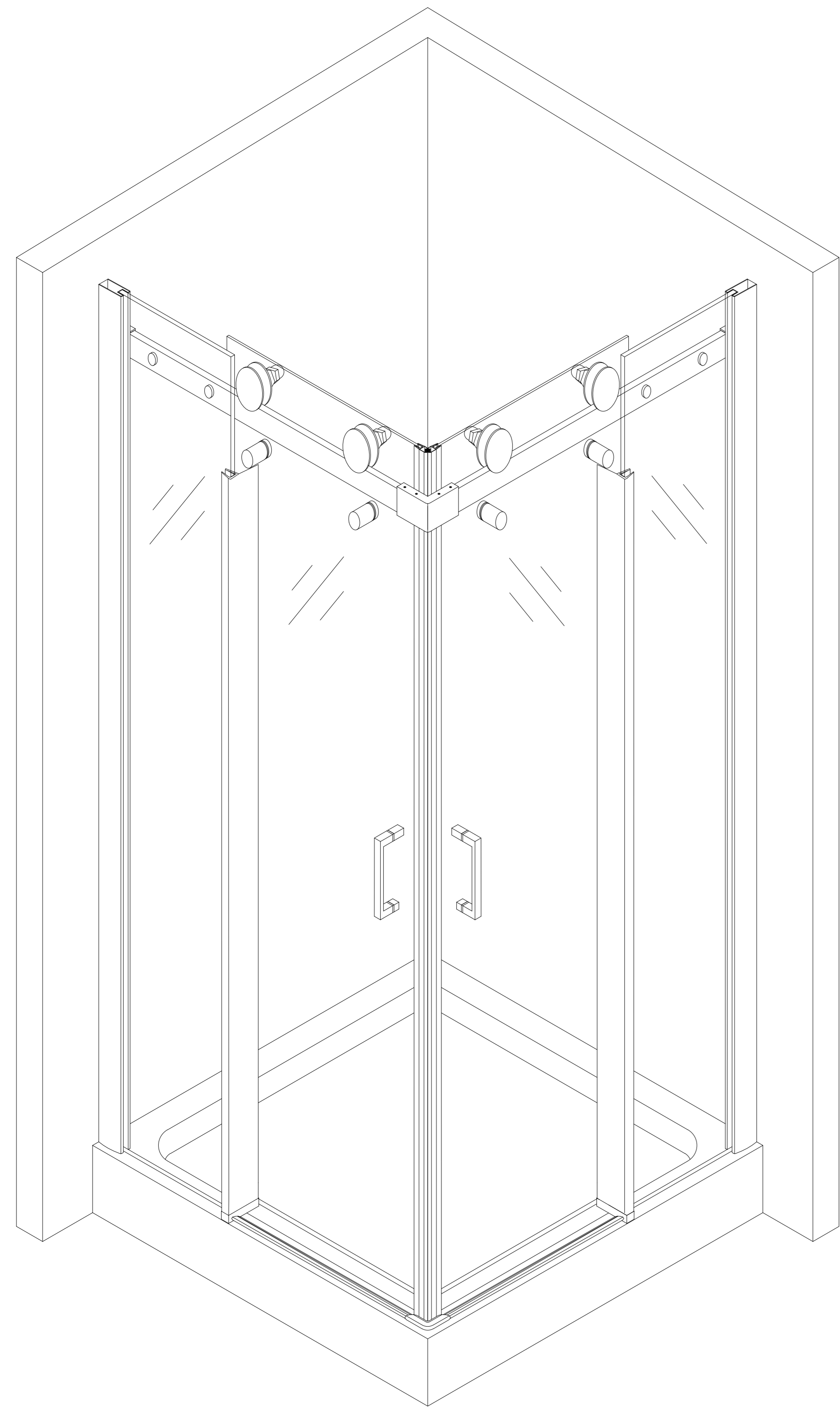
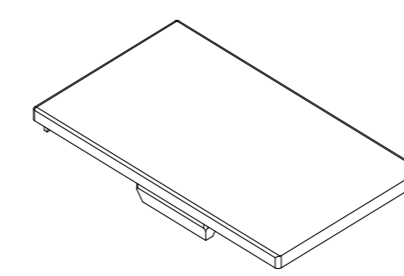


RB-1M02



1

Optional parts

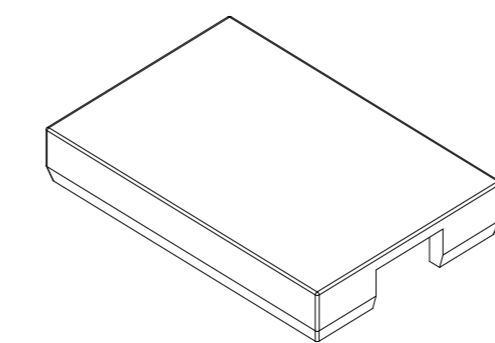


RB-S02

2Pcs

2

Optional parts



RB-S01

2Pcs

1

