

We recommend this product is installed by a fully qualified tradesperson.

Tools Required (not supplied)

Pencil; Tape measure; Screwdriver appropriate to fixings; Spirit level; Drill; Masonry drill bit appropriate to fixings, Ceramic drill bit (optional) appropriate to fixings.

Home Safety Advice

- It is recommended that two people fit this product to ensure that it is fitted safely.
- Always take care when using power tools, particularly in the bathroom.
- Always check for hidden cables and pipework before drilling and take extreme care if there is any water in the working area.
- It is advisable to use a residual current circuit breaker (RCCB).
- Always wear suitable eye protection when drilling.
- If the product is to be fitted on a ceramic tiled wall, a ceramic drill bit should be used.
- Always ensure that the drill hole passes through the central tiled area rather than through the grouted area. To prevent damage to the tile, mask the area around the hole with tape before drilling.
- Do not strike the product with hard or sharp objects.
- Warning! This product has been designed as a seat only and should not be used for any other purposes.

Maximum Weight – 160 kg evenly distributed about the seat.

Product Location

Shower seats are only as strong as the wall to which they are fixed and the fixings that are used. For different wall types you will need to ensure that you are using the correct type of fixing for the material of the wall. The addition of backboards on the outside of the wall or appropriate strengthening of internal structures may be required to provide adequate wall strength.

Product Care

To retain the best quality finish, clean product regularly with a soft damp cloth. Do not use abrasive or chemical cleaners as these will damage the product. Dry the shower seat after use.

Note: If the wall is made of lightweight thermal blocks, aerated hollow brickwork, or prefabricated partitions, even the most appropriate fixings may not be able to withstand the loads which can be suddenly applied to shower seats.

Recycling and disposal

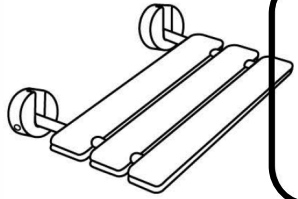
Please recycle the packaging in accordance with your local government regulations on waste handling and follow the same advice at the end of the products' life.

For more Information

Visit: victorianplumbing.co.uk

Shower Seat Installation Instructions

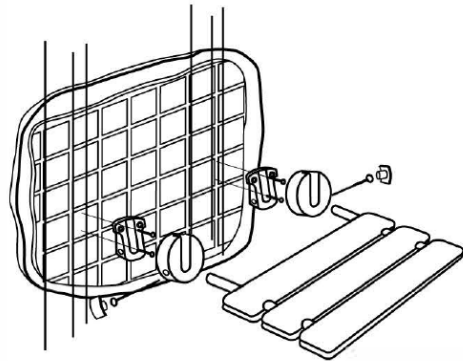
CAUTION: Maximum weight capacity 160kg



- 1 - SEAT ASSEMBLY
- 8 - FLAT HEAD SCREWS
- 8 - PLASTIC WALL PLUGS
- 2 - WALL BRACKETS
- 2 - WALL BRACKET COVERS
- 2 - MOUNTING PINS
- 2 - CAPS

The mounting brackets must be secured to a solid structure ensuring a safe & secure installation. The correct fixings must be used for the chosen wall application. All studding battens within a stud wall must be of sufficient size and capable of taking 130kg.

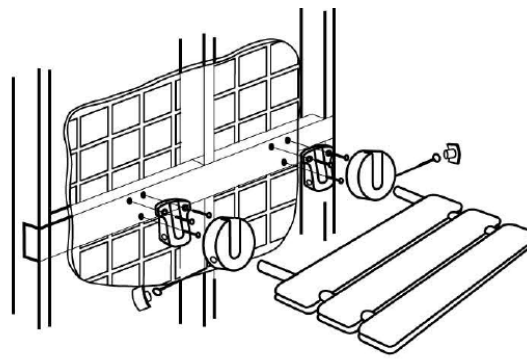
1. The bolt with the hex head on the two rods is also useful when adjusting.
2. We strongly advise the correct fixings relevant to the type of wall the seat is being secured too as the supplied fixings may not be suitable.



1. Stud Wall Vertical Timbers.

Using the template provided decide on the required height, position template on the wall then using a spirit level ensure the template is level. Using a pencil mark for the screw holes then proceed to drill the holes using an appropriate drill bit. Secure the wall brackets to the wall as shown within the instructions. Place the wall bracket covers over the secured brackets and secure the seat assembly using the supplied mounting pins. Once the assembly is complete and tested fit the cover caps to complete the installation.

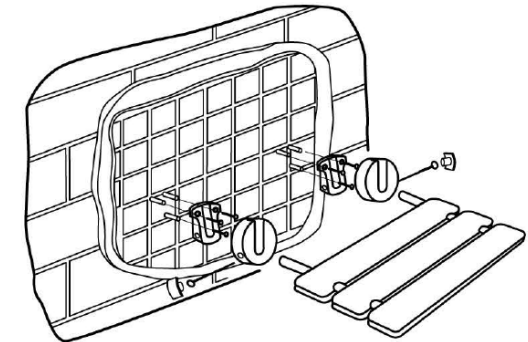
Note. A 3mm diameter masonry drill should be used to drill through both tile & plasterboard to facilitate screw clearance.



2. Stud Wall Horizontal Timbers Stud.

Using the template provided decide on the required height, position template on the wall then using a spirit level ensure the template is level. Using a pencil mark for the screw holes then proceed to drill the holes using an appropriate drill bit. Secure the wall brackets to the wall as shown within the instructions. Place the wall bracket covers over the secured brackets and secure the seat assembly using the supplied mounting pins. Once the assembly is complete and tested fit the cover caps to complete the installation.

Note. A 3mm diameter masonry drill should be used to drill through both tile & plasterboard to facilitate screw clearance.



3. Solid Wall Mounting (Masonry, Brick, Block Walls)

Using the template provided decide on the required height, position template on the wall then using a spirit level ensure the template is level. Using a pencil mark for the screw holes then proceed to drill the holes using an 8mm masonry drill bit. Insert the appropriate wall plugs and secure the wall brackets to the wall using the correct sized screws. Place the wall bracket covers over the secured brackets and secure the seat assembly using the supplied mounting pins. Once the assembly is complete and tested fit the cover caps to complete the installation.

Note. A 3mm diameter masonry drill should be used to drill a pilot hole through tile prior to drilling.