

**Before you Begin:**

- Unpack the product then read these instructions before proceeding. Inspect the product for damage. If any damage is found, contact our Customer Relations team.
- Diagrams are for illustration purposes only, your accessories may differ from these drawings however the illustration steps still apply.

**Tools Required:**  
\*Ensure the appropriate PPE is used during installation\*

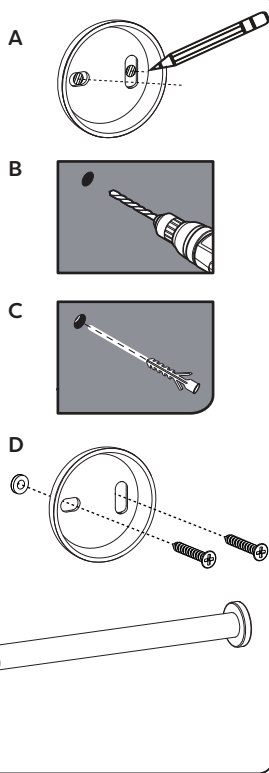
Warning: Check the chosen wall space for any pipes/cables prior to drilling!

Power Drill   Pencil   Screw Driver   Spirit Level   Allen Key

V1.10.24

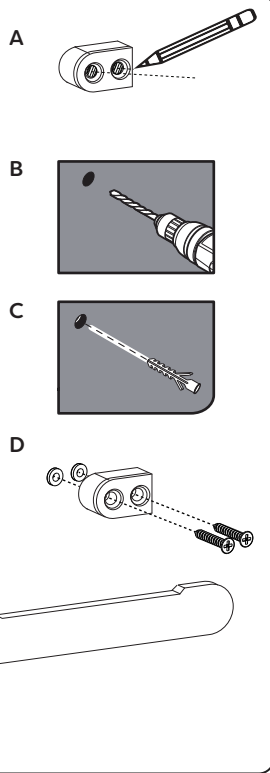
**Installation A:**

1. Place the accessory up against your chosen wall at the desired height then mark the position.
2. Remove the grub screw(s) from the accessory then take out the fixing plate(s).
3. Place the fixing plate(s) at the desired position on the wall, mark the holes onto the wall ready for drilling.
4. Using an appropriate sized drill bit, carefully drill the holes in the wall then insert the rawl plug(s).
5. Place the fixing plate(s) back onto the wall and secure into place using the screw(s) provided.
6. Mount the accessory over the fixing plate(s), secure into place using then grub screw(s) and Allen key provided.

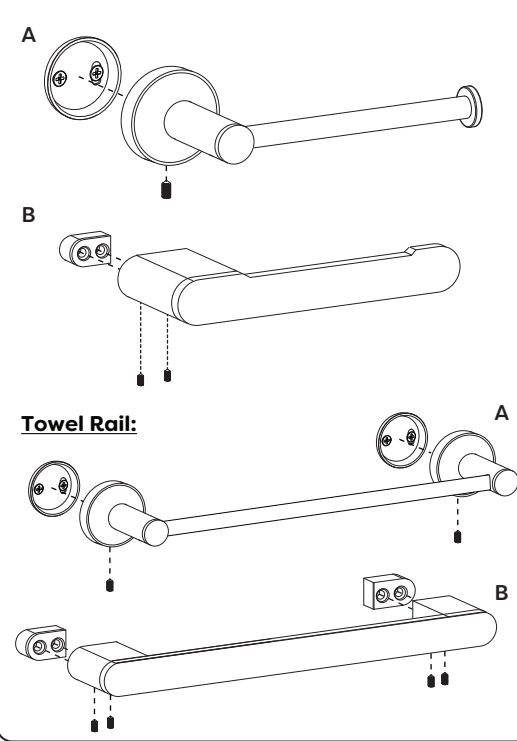


**Installation B:**

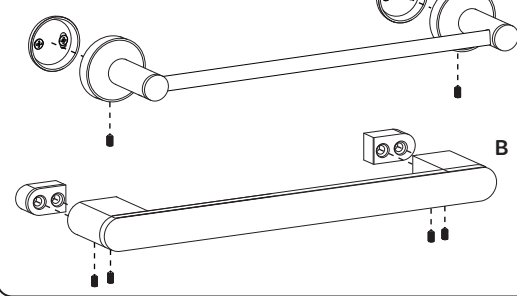
1. Place the accessory up against your chosen wall at the desired height then mark the position.
2. Remove the grub screw(s) from the accessory then take out the fixing plate(s).
3. Place the fixing plate(s) at the desired position on the wall, mark the holes onto the wall ready for drilling.
4. Using an appropriate sized drill bit, carefully drill the holes in the wall then insert the rawl plug(s).
5. Place the fixing plate(s) back onto the wall and secure into place using the screw(s) provided.
6. Mount the accessory over the fixing plate(s), secure into place using then grub screw(s) and Allen key provided.



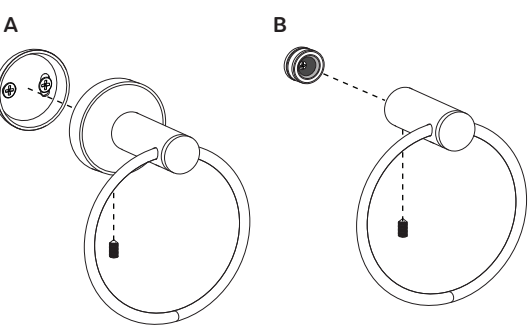
**Toilet Roll Holder:**



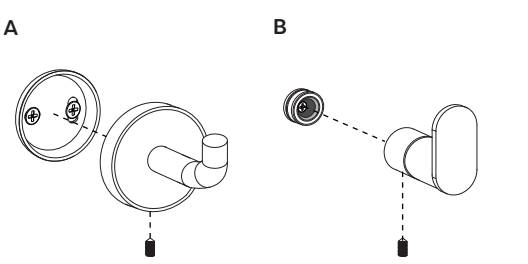
**Towel Rail:**



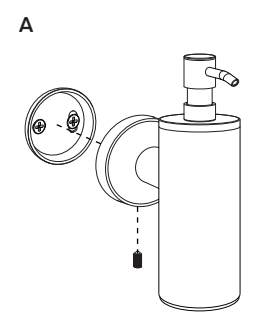
**Towel Ring:**



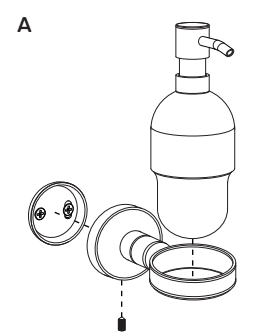
**Robe Hook:**



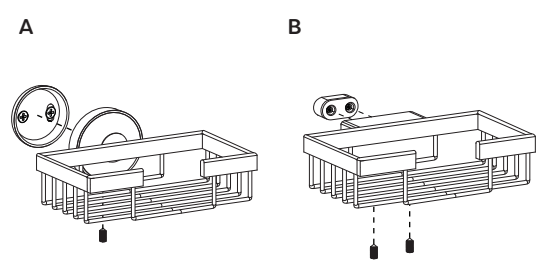
**Soap Dispenser:**



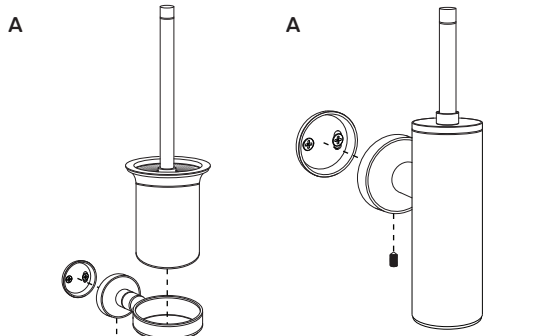
**Soap Dispenser (Holder):**



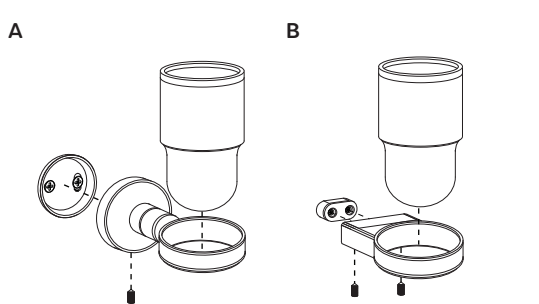
**Soap Basket:**



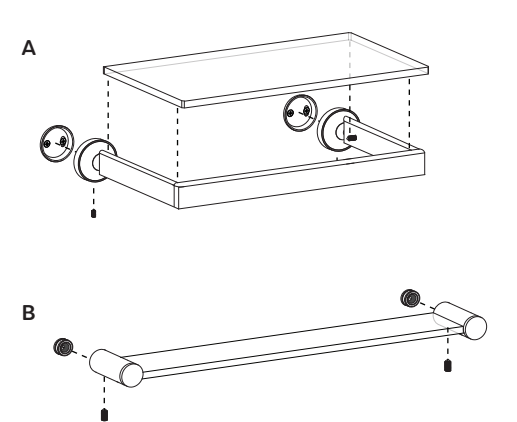
**Toilet Brush & Holder:**



**Tumbler & Holder:**



**Glass Shelf:**



**Cleaning and Aftercare:**

- **Warning:** Do not use abrasives, scourers, bleach or any type of chemical cleaning solution when cleaning the accessory. It is recommended to use warm soapy water and a clean damp cloth.

**Recycling and Disposal:**

- Please recycle the packaging in accordance with your local government regulations on waste handling and follow the same advice at the end of the products life.