

EXTERNALLY SILICONE SEAL THE WALL PROFILES WHERE THEY MEET THE WALL AND THE BOTTOM PROFILE WHERE IT MEETS THE TRAY. ALL IN A CONTINUOUS BEAD.

ALSO SILICONE PLASTIC MOULDING AND 150mm HIGH AS SHOWN IN DETAILED VIEW BELOW.

DO NOT SILICONE INSIDE THE ENCLOSURE

ALLOW THE SILICONE AT LEAST 24 HOURS TO FULLY CURE

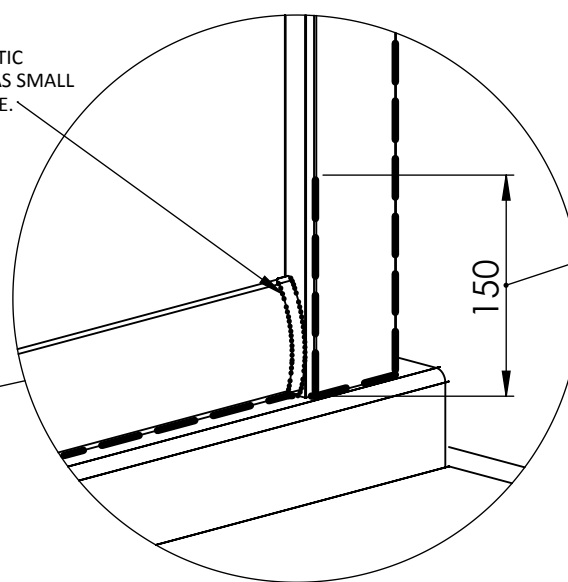
AFTERCARE - ENSURE YOU CLEAN YOUR PRODUCT USING A MILD DETERGENT DILUTED IN WATER, REMOVING ANY RESIDUE WITH A SOFT DAMP CLOTH.

MAINTENANCE - ENSURE MOVING PARTS ARE FREE FROM ANY DEBRIS OR SOAP BUILD UP. **SHOWER ENCLOSURE WITH WHEELS** - THE WHEELS MUST ROTATE FREELY AND THE SPRING LOADED MECHANISM IN THE BOTTOM WHEELS MUST OPERATE WITHOUT INTERFERENCE.

TROUBLE SHOOTING GUIDE

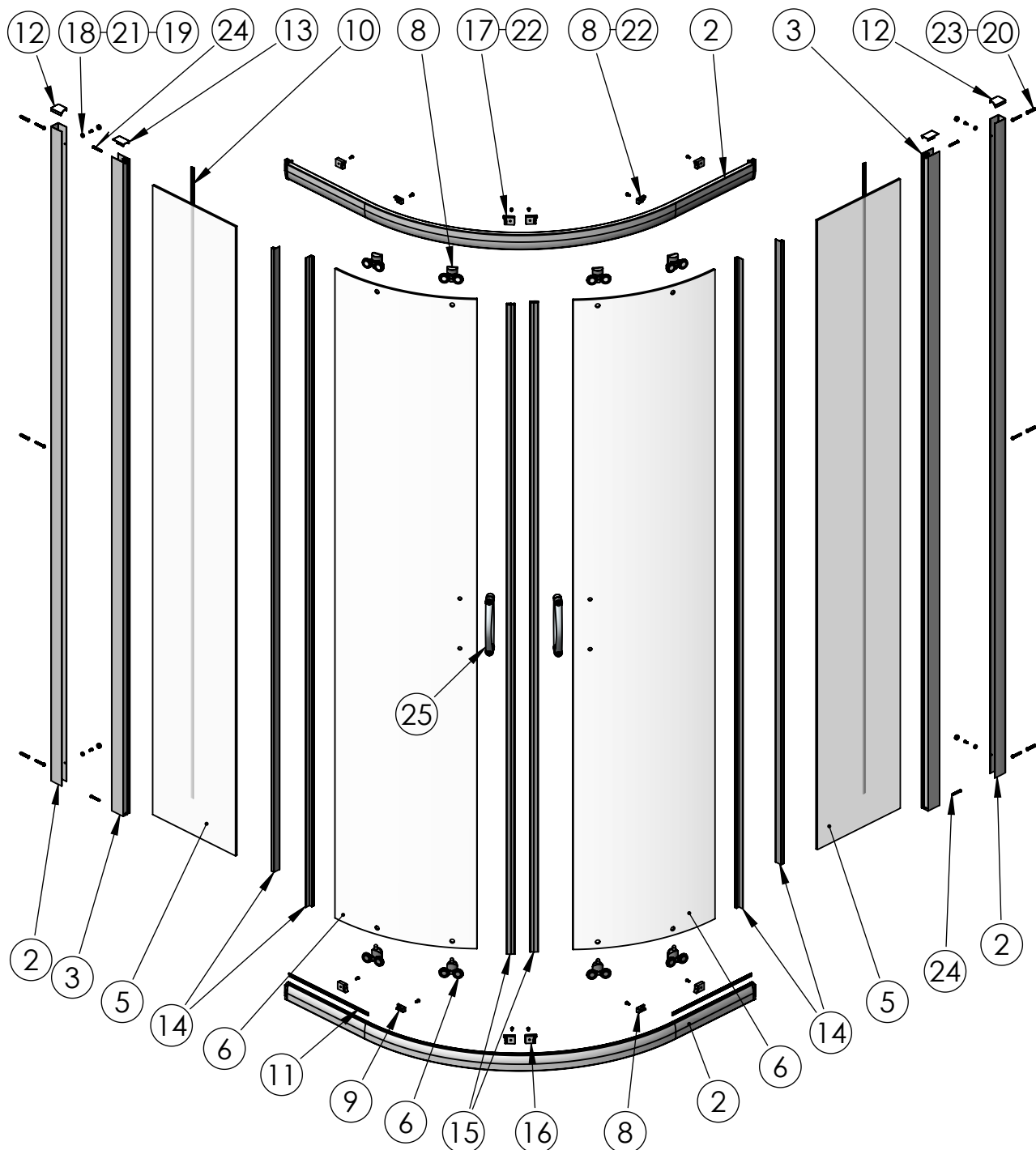
1. IS THE TRAY LEVEL? (SEE STEP 1).
2. ARE THE TOP AND BOTTOM TRACKS FULLY INSERTED AND FLUSH WITH THE VERTICAL PROFILES? (SEE STEP 3).
3. ARE THE RETAINER SCREWS FITTED TO LOCK THE TOP AND BOTTOM TRACKS IN PLACE? (SEE STEP 3).
4. ARE THE BOTTOM SEALS FITTED? (SEE STEP 6).
5. HAVE YOU COMPLETED STEP 2 CORRECTLY?
6. ARE THE WALL PROFILES PLUMB VERTICALLY? (SEE STEP 2).
7. DO THE FINISHED TRAY MEASUREMENTS COMPLY WITH THE ADJUSTMENTS LISTED IN THE PRODUCT SPECIFICATION?
8. HAVE THE FIXED PANELS BEEN PROPERLY SECURED? (SEE STEPS 6 & 7).
9. WHEN CONSIDERING THE LENGTH OF THE TOP TRACK ALSO CONSIDER THE VERTICAL PROFILES THAT ARE SECURED TO IT WHICH INCREASE ITS LENGTH.
10. ONCE INSTALLED LEAVE THE ENCLOSURE DOORS IN THE CLOSED POSITION WHEN NOT IN USE AS MAGNET STRENGTH WILL INCREASE OVER THE FIRST WEEK.

SILICONE THE PLASTIC MOULDING WITH AS SMALL A BEAD AS POSSIBLE.



WHERE THE FRAME VERTICAL PROFILE MEETS THE WALL PROFILE.

5 - 6 mm QUAD/OFFSET QUAD EASY FIT ENCLOSURE INSTRUCTION



UNPACK THE BOX AND ENSURE ALL COMPONENTS ARE PRESENT.

NO REFUNDS OR REFITTING COST WILL BE GIVEN IF INCOMPLETE OR DAMAGED GOODS ARE FITTED.

THE TOUGHENED SAFETY GLASS SHOULD BE HANDLED WITH CARE AS IMPACTS WILL DAMAGE THE GLASS OR ENCLOSURE.

FIT THE SHOWER TRAY AS PER THE MANUFACTURERS INSTRUCTIONS.

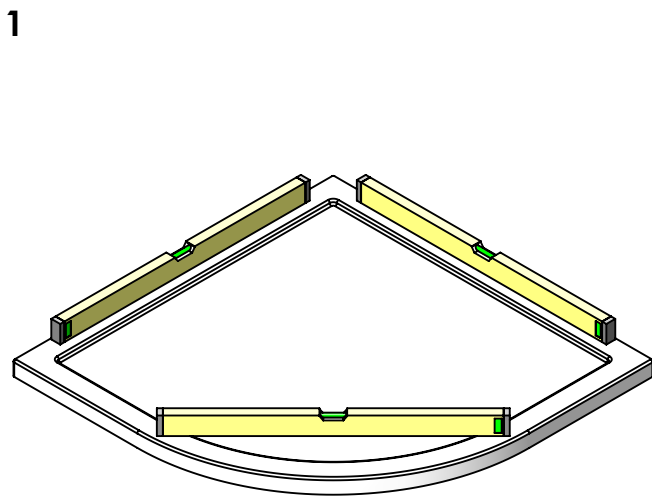
NOTE: IF THE TRAY ISN'T TRUE AND LEVEL, IT MUST BE RECTIFIED BEFORE SILICONING AROUND THE TOP EDGE OF THE TRAY WHERE IT MEETS THE TILES. ALLOW THE SILICONE TO DRY BEFORE FITTING THE ENCLOSURE.

THE ENCLOSURE INSTALLATION IS RECOMMENDED AS A TWO MAN OPERATION.

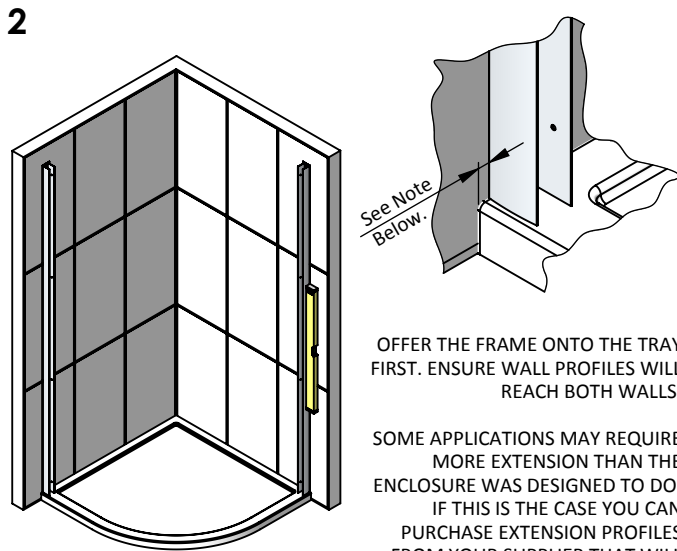
TOOLS REQUIRED

POWER DRILL - 3mm DRILL BIT - 6mm MASONRY DRILL BIT
 CROSS HEAD SCREW DRIVER - TAPE MEASURE - PENCIL
 SILICONE GUN WITH SANITARY GRADE SEALANT - SPIRIT LEVEL
 RUBBER HEAD Mallet

ITEM	DESCRIPTION	Notes	QTY
1	TOP / BOTTOM TRACK		2
2	WALL PROFILE		2
3	GLASS PROFILE		2
4	FIXED PANEL GLASS		2
5	DOOR GLASS		2
6	BOTTOM ROLLER (SPRING LOADED)	5mm OR 6mm VERSIONS	4
7	TOP ROLLER (SCREW ADJUSTED)	5mm OR 6mm VERSIONS	4
8	GLASS CLIP RH		2
9	GLASS CLIP LH		2
10	VERTICAL WEDGE SEAL		2
11	GLASS BOTTOM SEAL		2
12	WALL PROFILE TOP CAP (RH & LH)		2
13	RECTANGULAR CAP		2
14	VERTICAL SEAL	CUT TO LENGTH AS INSTRUCTED	4
15	DOOR MAGNET		2
16	BUMP STOP RH		4
17	BUMP STOP LH		4
18	SCREW CUP		4
19	SCREW CUP COVER		4
20	RAWLPLUG		6
21	SCREW DIA 3.6mm x 9.4mm PAN HEAD (SMALL HEAD)		12
22	SCREW DIA 3.9mm x 10mm PAN HEAD		4
23	SCREW DIA 3.9mm x 30mm PAN HEAD	FOR FIXING TO WALL	6
24	SCREW DIA 3.9mm x 30mm PAN HEAD (SMALL HEAD)	FIXING TRACK, INCLUDING SPARES	12
25	CHROME HANDLES		2



ENSURE THE TRAY IS LEVEL IN ALL PLANES.

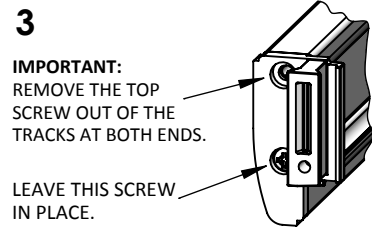


OFFER THE FRAME ONTO THE TRAY FIRST. ENSURE WALL PROFILES WILL REACH BOTH WALLS.

SOME APPLICATIONS MAY REQUIRE MORE EXTENSION THAN THE ENCLOSURE WAS DESIGNED TO DO. IF THIS IS THE CASE YOU CAN PURCHASE EXTENSION PROFILES FROM YOUR SUPPLIER THAT WILL GIVE AN EXTRA 20mm PER SIDE.

IN AN IDEAL INSTALLATION

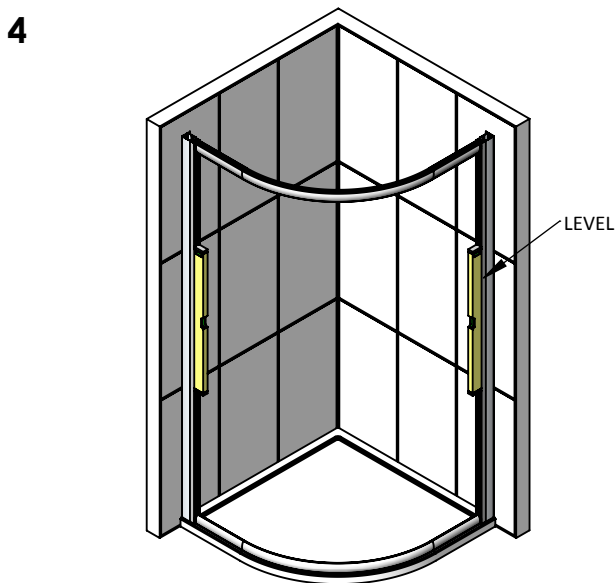
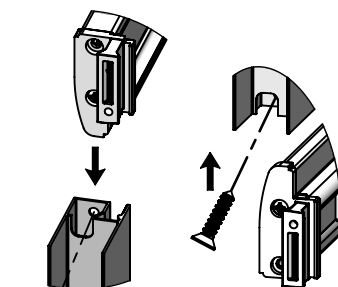
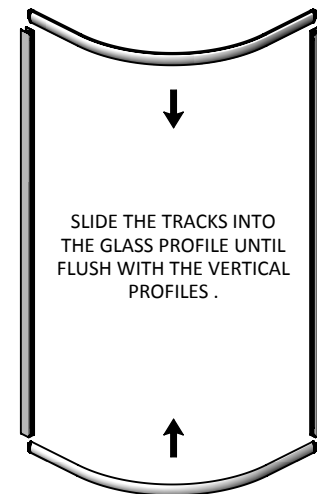
SET THE WALL PROFILES 8mm BACK FROM THE FACE OF THE TRAY. MAKE SURE THEY ARE TRUE WITH A SPIRIT LEVEL, THEN MARK THROUGH THE FIXING HOLES WITH A PENCIL. REMOVE PROFILES THEN DRILL AND PLUG THE WALL (ITEM 20). NOW FIX THE WALL PROFILES IN PLACE USING ITEMS 23.



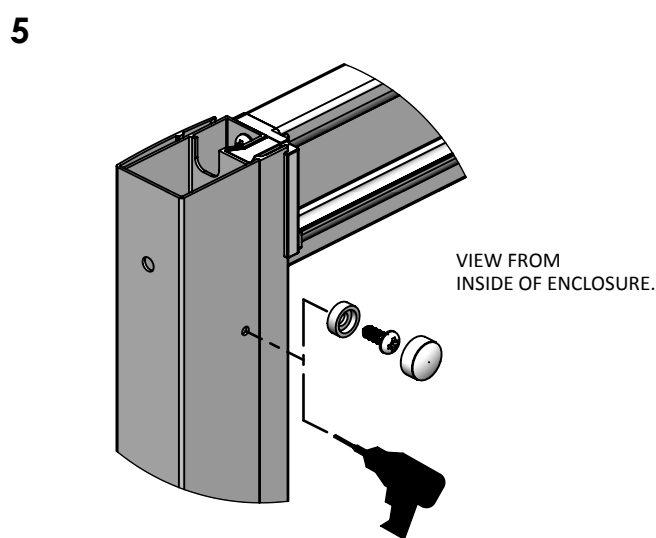
LEAVE THIS SCREW IN PLACE.

IMPORTANT: FACES MUST BE PARALLEL BEFORE INSERTING INTO PROFILE.

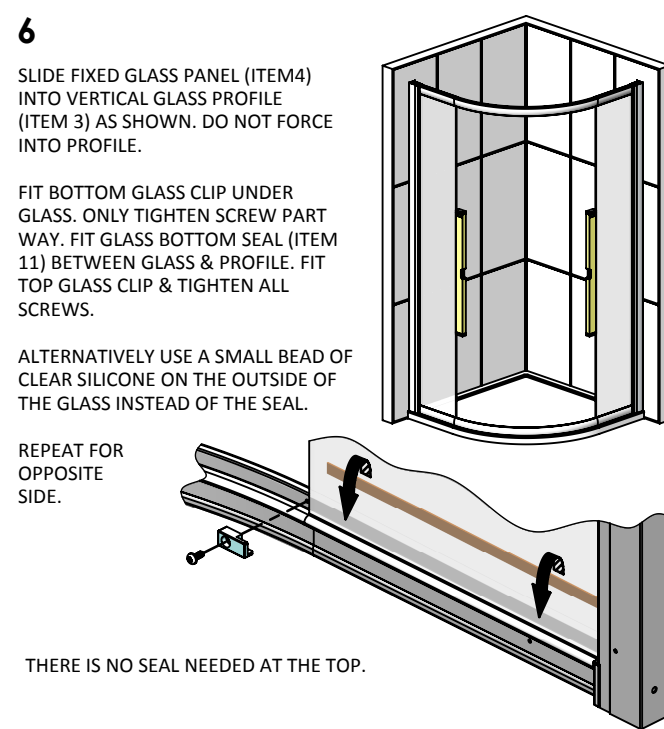
ONCE PARTIALLY ENGAGED IT MAY BE NECESSARY TO LIGHTLY TAP THE TRACK ALL THE WAY HOME. USING A SOFT Mallet.



FIT THE FRAME INTO THE WALL PROFILES. ADJUSTING UNTIL THERE IS AN EVEN GAP BETWEEN THE FRONT EDGE OF THE TRAY AND BOTTOM TRACK (11mm). THERE SHOULD ALSO BE AN EQUAL AMOUNT OF FRAME IN EACH WALL PROFILE. ENSURE THE FRAME IS TRUE ON BOTH SIDES BEFORE IT IS FIXED IN PLACE.



WHEN THE FRAME IS TRUE AND READY TO BE FIXED, DRILL THROUGH THE HOLES IN THE WALL PROFILE WITH A 3mm DRILL. (MAKE SURE YOU ONLY DRILL THROUGH ONE WALL THICKNESS) THEN FIX THE FRAME WITH ITEMS 22, 18 & 19.

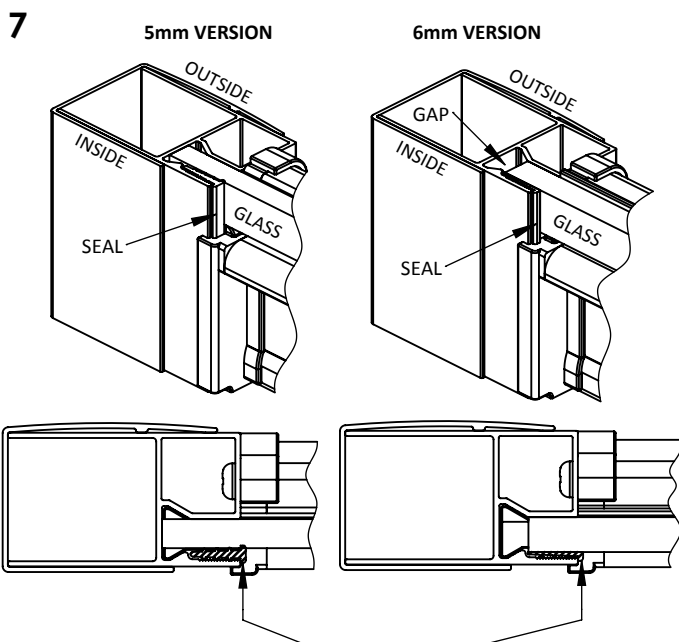


FIT BOTTOM GLASS CLIP UNDER GLASS. ONLY TIGHTEN SCREW PART WAY. FIT GLASS BOTTOM SEAL (ITEM 11) BETWEEN GLASS & PROFILE. FIT TOP GLASS CLIP & TIGHTEN ALL SCREWS.

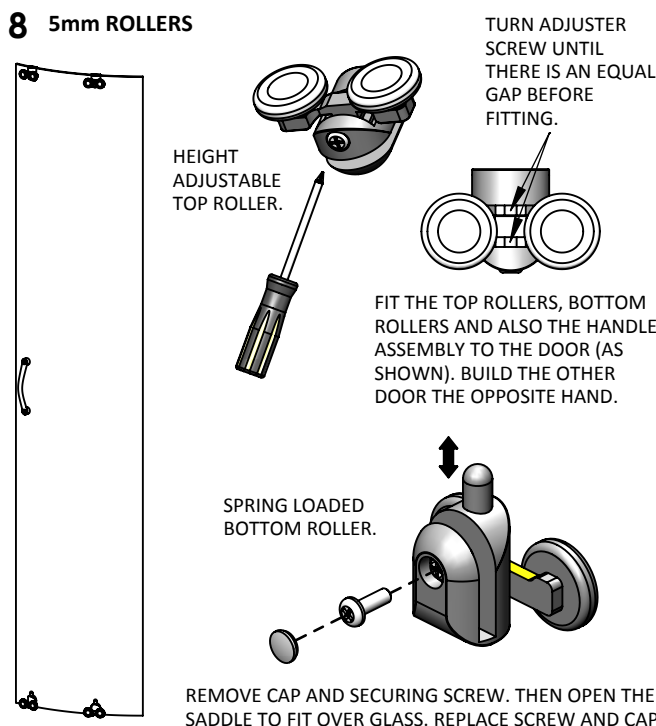
ALTERNATIVELY USE A SMALL BEAD OF CLEAR SILICONE ON THE OUTSIDE OF THE GLASS INSTEAD OF THE SEAL.

REPEAT FOR OPPOSITE SIDE.

THERE IS NO SEAL NEEDED AT THE TOP.



INSERT VERTICAL WEDGE SEAL (ITEM 10) INTO THE INSIDE OF THE ENCLOSURE BETWEEN THE GLASS AND THE GLASS PROFILE.

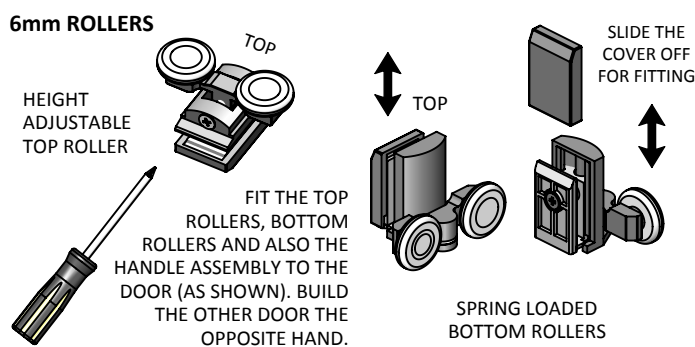


HEIGHT ADJUSTABLE TOP ROLLER.

FIT THE TOP ROLLERS, BOTTOM ROLLERS AND ALSO THE HANDLE ASSEMBLY TO THE DOOR (AS SHOWN). BUILD THE OTHER DOOR THE OPPOSITE HAND.

SPRING LOADED BOTTOM ROLLER.

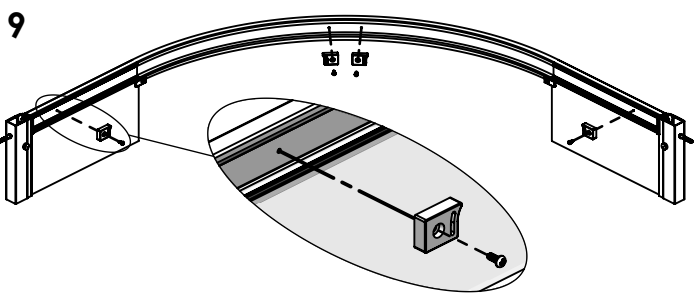
REMOVE CAP AND SECURING SCREW. THEN OPEN THE SADDLE TO FIT OVER GLASS. REPLACE SCREW AND CAP.



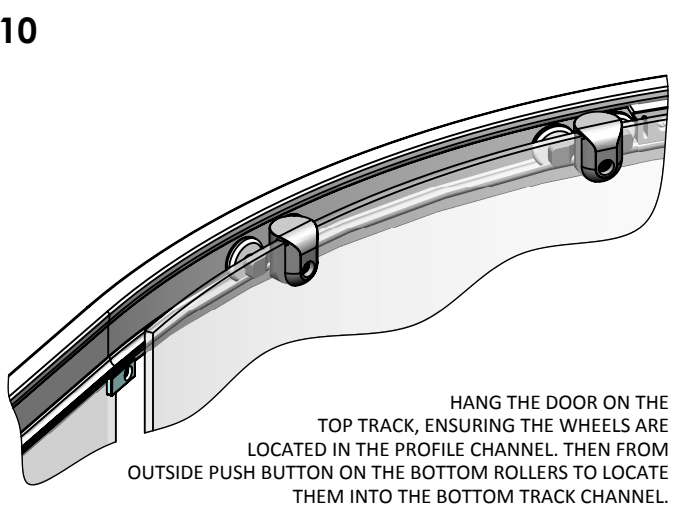
HEIGHT ADJUSTABLE TOP ROLLER

FIT THE TOP ROLLERS, BOTTOM ROLLERS AND ALSO THE HANDLE ASSEMBLY TO THE DOOR (AS SHOWN). BUILD THE OTHER DOOR THE OPPOSITE HAND.

SPRING LOADED BOTTOM ROLLERS

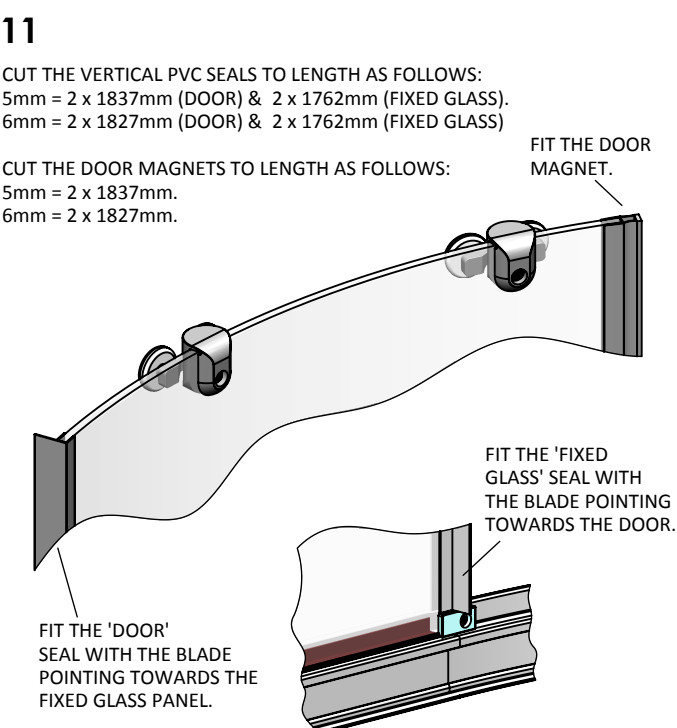


FIT THE BUMPS STOPS (ITEMS 16 & 17) TO THE TOP AND BOTTOM TRACKS WITH ITEM 22. DO NOT OVERTIGHTEN THE SCREWS.



WHEN BOTH DOORS ARE FITTED TURN THE ADJUSTER SCREW ON THE TOP ROLLERS TO LEVEL THE DOORS AND MAKE THEM TRUE.

NOTE : WHEN THE DOOR HITS THE TOP BUMP STOP IT SHOULD HIT THE BOTTOM BUMP STOP AT THE SAME TIME.



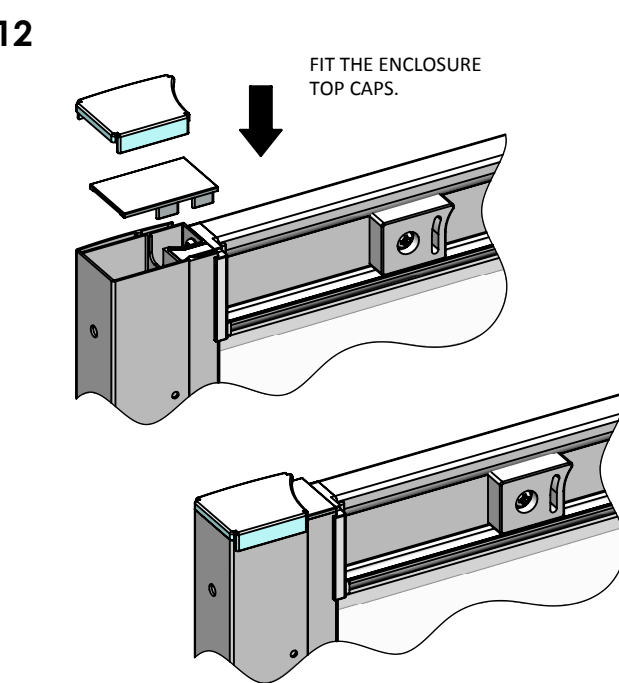
CUT THE VERTICAL PVC SEALS TO LENGTH AS FOLLOWS:
5mm = 2 x 1837mm (DOOR) & 2 x 1762mm (FIXED GLASS).
6mm = 2 x 1827mm (DOOR) & 2 x 1762mm (FIXED GLASS).

CUT THE DOOR MAGNETS TO LENGTH AS FOLLOWS:
5mm = 2 x 1837mm.
6mm = 2 x 1827mm.

FIT THE DOOR MAGNET.

FIT THE 'FIXED GLASS' SEAL WITH THE BLADE POINTING TOWARDS THE DOOR.

FIT THE 'DOOR' SEAL WITH THE BLADE POINTING TOWARDS THE FIXED GLASS PANEL.



FIT THE ENCLOSURE TOP CAPS.

PEARLSTONE

SHOWER TRAY FLAT TO FLOOR INSTALLATION

Pearlstone Shower Tray installation onto a timber floor.

It is recommended that all flat top shower trays are installed before tiling to ensure that the top radius of the tray is behind or at least below the tile face. This will help to create a water tight seal. (see diagram overleaf)

Carefully lower the tray into the chosen position, then mark the floor for the waste opening. Remove the tray.

Check below the floor level to ensure that there is adequate access for the waste and pipe work. If an obstruction is found, drill a hole and make provision in the floor of a sufficient diameter to allow the entire waste coupling to fall below the floor level.

Make sure the floorboards are securely fixed. If this is not possible, use 18/20mm thick green grade chipboard, cut to the size of the tray and fix in place.

Caution!! Before attempting to secure any loose floorboards or the chipboard to the floorboards, check that there are no pipes or electrical connections beneath the floor level.

Seal the installation area with a suitable clear waterproofing agent.

Fit the waste and trap to the tray. It is recommended that you use a suitable silicone sealant around the waste to create a watertight seal.

Ensure that the entire base of the tray is fully supported. The tray has to be FULLY COVERED with a 5mm minimum thickness of weak cement mix. (See below)

The minimum 5mm thickness is at the lowest point of the tray after the tray has been levelled.

Check that the top of the tray is level.

(Note the base of the tray has a built-in fall to allow for drainage).

In the case of a flat top shower tray, it is advised that all the tray to wall joints are now sealed with a bead of silicone sealant, once this has been done the walls can be tiled.

Ensure that you apply an additional bead of silicone sealant between the tray and the tiles, prior to fitting the wall channels.

How To Mix Up A Standard Mortar

Mix 1 part ordinary cement to 5 parts soft sand. Mix the two together on a smooth hard surface. Measure the sand and then add the cement on top. Turn them together until they make a uniform colour. Make a crater and add water gradually. Turn the mix into the water to a flexible consistency. It must not be runny!

Installation Onto A Solid Or Restricted Access Floor.

Where it is difficult to run a waste assembly under the floor, we recommend that you utilise our Universal Leg Set & Panel Kit. This is designed and specified for such installations to support the tray & give access to the waste behind removable panels.

PEARLSTONE

SHOWER TRAY FLAT TO FLOOR INSTALLATION

Thank you for purchasing your Pearlstone tray. Please fully read these installation procedures and familiarise yourself with the components before commencement.

Please inspect the product immediately and fully upon receipt and prior to installation for transit damage, or any defects. Damage or defects reported later cannot be accepted.

Your tray comes with a protective film. Peel back to inspect then replace.

Do not discard the packaging as some of it is utilised throughout the installation procedures.

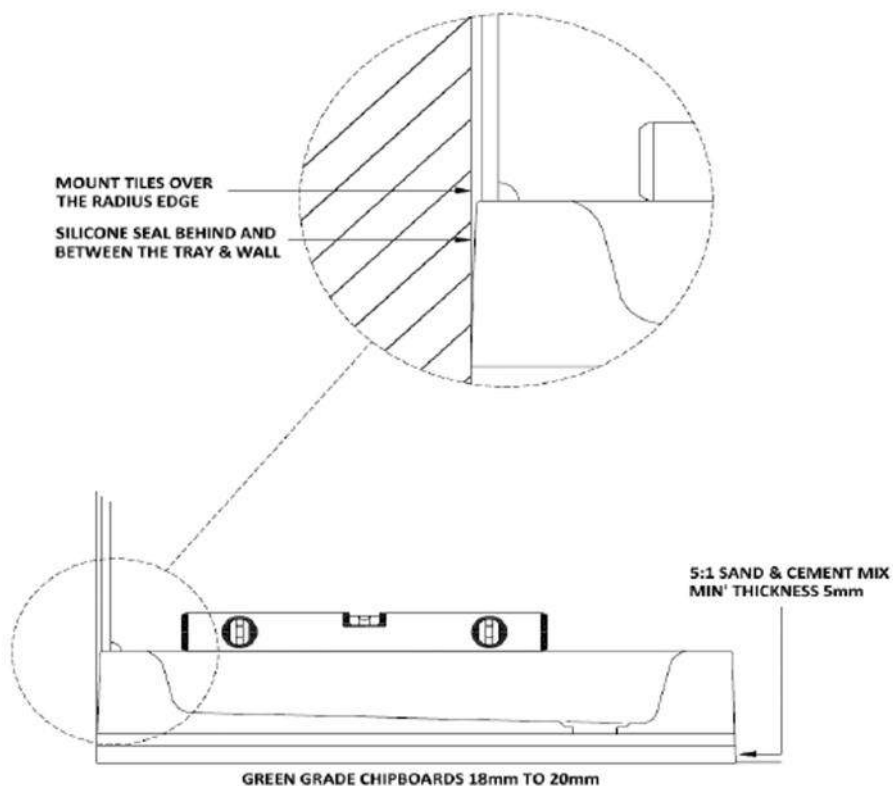
Fitting a Pearlstone shower tray to the floor.

For the best results & ease of installation determine the waste position of the tray.

Place the tray in the desired position or best location to simplify the installation.

The tray can be rotated indexing the waste to the most suitable position.

Fit the waste assembly & exit pipe work (following the waste manufacturers instruction & advice)



PEARLSTONE

UNIVERSAL LEG SET & PANEL KIT

Thank you for purchasing your Pearlstone tray. Please fully read these installation procedures and familiarise yourself with the components before commencement.

Please inspect the product immediately and fully upon receipt and prior to installation for transit damage, or any defects. Damage or defects reported later cannot be accepted.

Your tray comes with a protective film. Peel back to inspect then replace.

Do not discard the packaging as some of it is utilised through out the installation procedures.

Assembly of the Universal Leg Set & Panel Kit

For the best results & ease of installation determine the waste position of the tray.

Place the tray in the desired position or best location to simplify the installation.

The tray can be rotated indexing the waste to the most suitable position.

Fit the waste assembly & exit pipe work (following the waste manufacturers instruction & advice)

Place the tray face down on a protective surface or packaging.

See over the page and check your size & type of product.

Align the legs and panel clips to the diagram overleaf which suits your product.

Your Pearlstone tray is supported by a new reinforcement material with the ability to screw into.

Secure each leg with x3 (13mm) 1/2" x No8 round headed screws provided.

Under no circumstances use a longer screw for fixing into the base.

Adjust the leg so that the overall assembly is a 100mm to suit the panel location and lightly tighten the hexagonal nut.

Depending on which leg clip has been supplied, screw the panel clips to the underside of the tray as illustrated overleaf. It is important that the correct screw size is used for this operation.

We recommend that the metal clip is fitted so that it overhangs the tray 4mm.

The plastic clip should be fitted to suit the panel return depth as this may vary.

Note! When moving your tray into position, do not slide as this can loosen the leg fixings.

In most cases, your plastic panel(s) is supplied over length.

Place onto the clips following the contour of the product if applicable.

Mark the panel to length at each end & cut accurately to length with a fine toothed saw.

Remove the panel.

Turn over the tray & adjust the adjustable feet to level the tray. Fit the panel which is 100mm in height into its desired location.

Check with a spirit level that the tray is correctly levelled and fully tighten the hexagonal nuts on the legs.

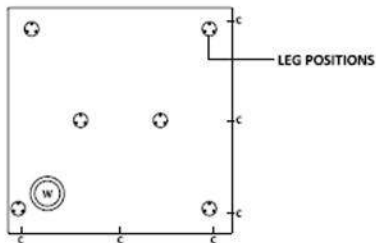
Scribe a line on the floor where the panel will sit.

Fit to the floor behind the scribed line taking account of the panel return lip. Fit several small blocks of wood (not supplied) to ensure the panel remains stable.

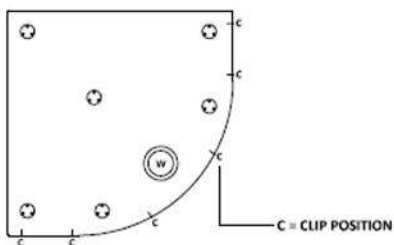
It is recommended that the legs at the front of the tray are screwed to the floor.

Special care should be taken when using power tools & when drilling take care to avoid hidden pipes or electrical cables.

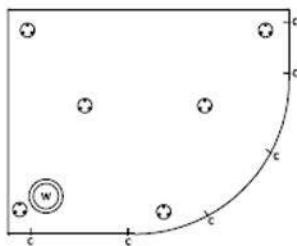
SQUARE TRAYS



EQUAL QUADRANT TRAYS

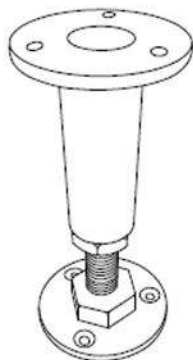
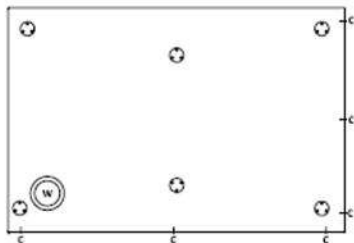


OFFSET QUADRANT TRAYS



RECTANGULAR TRAYS

Length 1000, 1100 & 1200mm Long



ADJUSTABLE FOOT (x6)



SCREWS 1/2" x No 8 RH (x18)



PLASTIC PANEL CLIPS (x6)



SCREWS 1" x No 8 RH (x12)



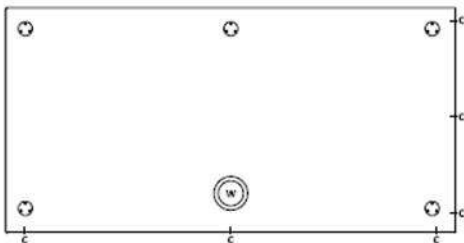
METAL PANEL CLIPS (x6)



SCREWS 1/2" x No 8 RH (x12)

LARGE RECTANGULAR TRAYS

Length 1400, 1500, 1600 & 1700mm Long



ON RECTANGULAR TRAYS, ENSURE THE PANEL CLIPS ARE FITTED TO THE SIDE REQUIRING PANELS. THIS IS DEPENDENT ON THE WASTE POSITION.

SHOWER TRAY FLAT TO FLOOR INSTALLATION

Please fully read these installation procedures and familiarise yourself with the components before commencement.

Please inspect the product immediately and fully upon receipt and prior to installation for transit damage, or any defects. Damage or defects reported later cannot be accepted.

Your tray comes with a protective film. Peel back to inspect then replace.

Do not discard the packaging as some of it is utilised throughout the installation procedures.

Note! Weights may vary due to the manufacturing process by +/- 10% of the stated weight.

An amount of deviation can be expected on this type of product especially on the larger trays.

Shower Tray installation onto a timber floor.

It is recommended that all flat top shower trays are installed before tiling to ensure that the top radius of the tray is behind or at least below the tile face. This will help to create a water tight seal. (see diagram overleaf)

Having selected where the tray is to be fitted, check to make sure the area is reasonably level. (Fig 1)

Carefully lower the tray into the chosen position, and mark the floor for the waste opening. (Fig 2)

Remove the tray.

Check below the floor level to ensure that there is adequate access for the waste and pipe work.

If an obstruction is found, drill a hole and make provision in the floor of a sufficient diameter to allow the entire waste coupling to fall below the floor level.

Make sure the floorboards are securely fixed. If this is not possible, use 18/20mm thick green grade chipboard, cut to the size of the tray and fix in place.

Caution!! Before attempting to secure any loose floorboards or the chipboard to the floorboards, check that there are no pipes or electrical connections beneath the floor level.

Seal the installation area with a suitable clear waterproofing agent.

Fit the waste and trap to the tray following the manufacturers instruction.

It is recommended that you use a suitable silicone sealant around the waste to create a watertight seal.

Ensure that the entire base of the tray is fully supported as the base of the tray may not be entirely level.

This is due to the manufacturing process

So that the tray is bedded completely level the tray area has to be FULLY COVERED with a 8mm minimum thickness of weak cement mix (Fig 3)

The minimum thickness of mortar at the lowest point should be 5mm after the tray has been levelled.

Check that the top of the tray is level. (Fig 4)

(Note the base of the tray has a built-in fall to allow for drainage).

How To Mix Up A Standard Mortar

Mix 1 part ordinary cement to 5 parts soft sand. Mix the two together on a smooth hard surface.

Measure the sand and then add the cement on top. Turn them together until they make a uniform colour. Make a crater and add water gradually. Turn the mix into the water to a flexible consistency. It must not be runny!

In the case of a flat top shower tray, it is advised that all the tray to wall joints are now sealed with a bead of silicone sealant, once this has been done the walls can be tiled. Ensure that you apply an additional bead of silicone sealant between the tray and the tiles, prior to fitting the wall channels. (Fig 5)

Installation Onto A Solid Or Restricted Access Floor.

Where it is difficult to run a waste assembly under the floor, we recommend that you utilise our Universal Leg Set & Panel Kit. This is designed and specified for such installations to support the tray & give access to the waste behind removable panels.

Note! For all trays fitted with 'easy plumb' leg kits, we recommend that you baton the wall to add additional support.

For trays 1400mm and above, additional support must be given by a cut 11mm (Min) thick board (Not Supplied) to suit the size of tray and allow enough space for the plinth clips to be fitted. Fix panel to the underside using a compound adhesive or similar.

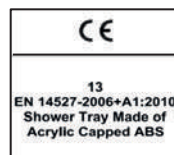


FIG 1

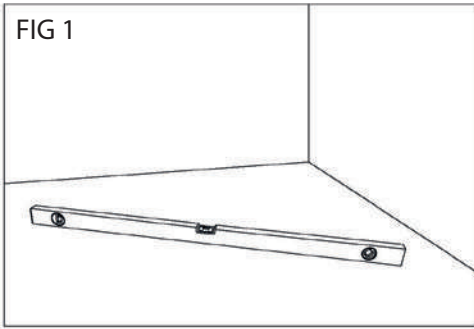


FIG 2

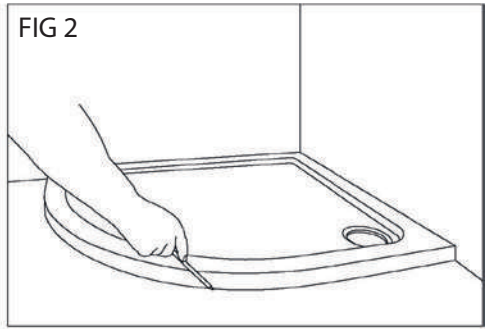


FIG 3

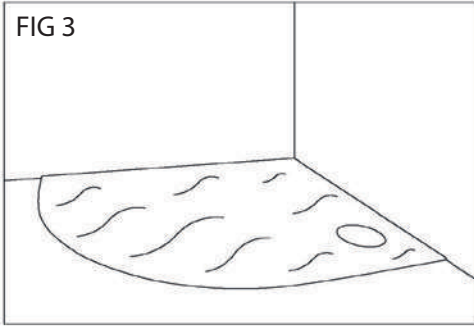


FIG 4

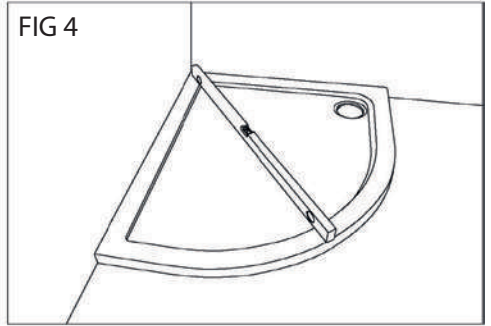
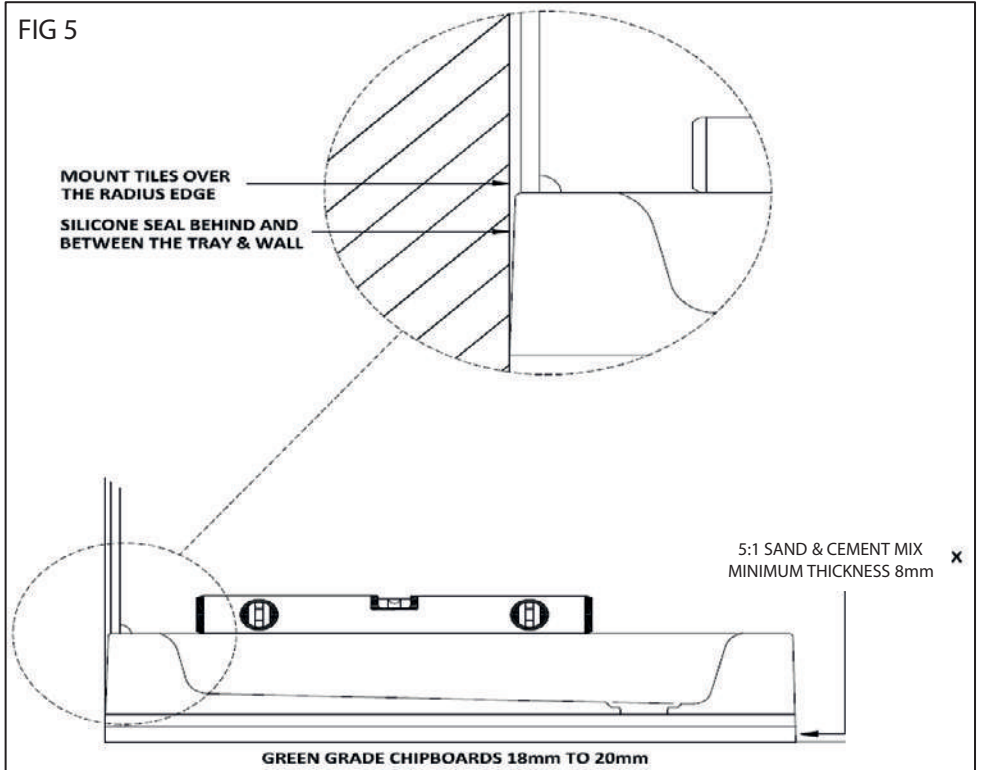


FIG 5



UNIVERSAL LEG SET & PANEL KIT

Thank you for purchasing our tray. Please fully read these installation procedures and familiarise yourself with the components before commencement.

Please inspect the product immediately and fully upon receipt and prior to installation for transit damage, or any defects. Damage or defects reported later cannot be accepted.

Your tray comes with a protective film. Peel back to inspect then replace.

Do not discard the packaging as some of it is utilised through out the installation procedures.

Assembly of the Universal Leg Set & Panel Kit

For the best results & ease of installation determine the waste position of the tray.

Place the tray in the desired position or best location to simplify the installation.

The tray can be rotated indexing the waste to the most suitable position.

Fit the waste assembly & exit pipe work (following the waste manufacturers instruction & advice)

Place the tray face down on a protective surface or packaging.

See over the page and check your size & type of product.

Align the legs and panel clips to the diagram overleaf which suits your product.

Note! All trays 1400mm and above require x2 'easy plumb' leg kits.

Your tray is supported by a new reinforcement material with the ability to screw into.

Secure each leg with x3 (13mm) 1/2" x No8 round headed screws provided.

Under no circumstances use a longer screw for fixing into the base.

Adjust the leg so that the overall assembly is a 100mm to suit the panel location and lightly tighten the hexagonal nut.

Depending on which leg clip has been supplied, screw the panel clips to the underside of the tray as illustrated overleaf. It is important that the correct screw size is used for this operation.

We recommend that the metal clip is fitted so that it overhangs the tray 4mm.

The plastic clip should be fitted to suit the panel return depth as this may vary.

When moving your tray into position, do not slide as this can loosen the leg fixings.

In most cases, your plastic panel(s) is supplied over length.

Place onto the clips following the contour of the product if applicable.

Mark the panel to length at each end & cut accurately to length with a fine toothed saw.

Remove the panel.

Turn over the tray & adjust the adjustable feet to level the tray. Fit the panel which is 100mm in height into its desired location.

Check with a spirit level that the tray is correctly levelled and fully tighten the hexagonal nuts on the legs.

Scribe a line on the floor where the panel will sit.

Fit to the floor behind the scribed line taking account of the panel return lip. Fit several small blocks of wood (not supplied) to ensure the panel remains stable.

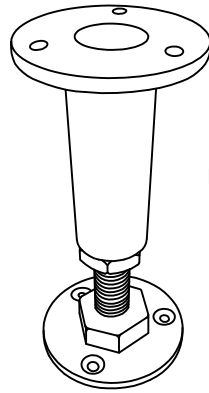
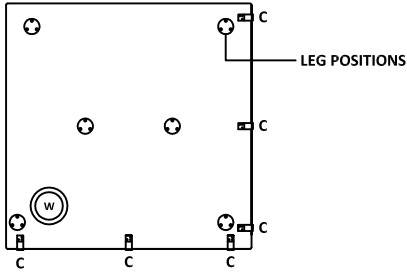
It is recommended that the legs at the front of the tray are screwed to the floor.

Special care should be taken when using power tools & when drilling take care to avoid hidden pipes or electrical cables.

Make all waste connections & after tiling seal the tray along the contact edges.

Check for water tightness and finally fit the panel(s)

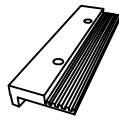
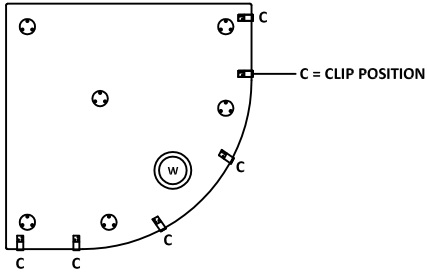
SQUARE TRAYS



SCREWS 1/2" x No 8 RH (x18)

ADJUSTABLE FOOT (x6)

EQUAL QUADRANT TRAYS

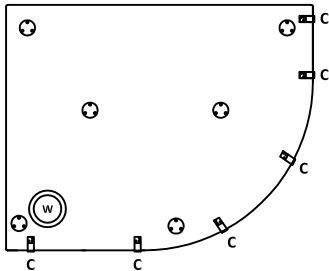


STRAIGHT PANEL CLIPS (x6)



METAL PANEL CLIPS (x6)

OFFSET QUADRANT TRAYS



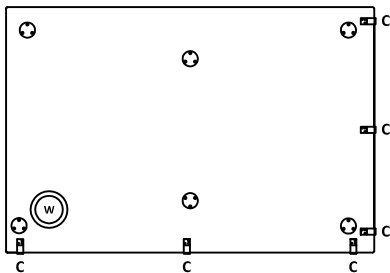
SCREWS 1" x No 8 RH (x12)



SCREWS 1/2" x No 8 RH (x12)

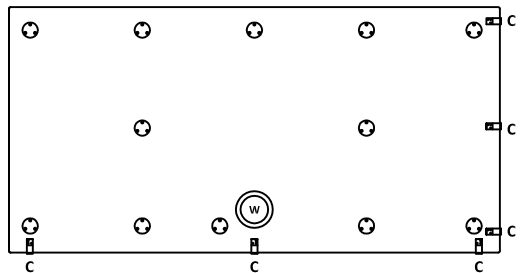
RECTANGULAR TRAYS

Length 1000, 1100 & 1200mm Long



LARGE RECTANGULAR TRAYS

Length 1400, 1500, 1600 & 1700mm Long



ON RECTANGULAR TRAYS, ENSURE THE PANEL CLIPS ARE FITTED TO THE SIDE REQUIRING PANELS. THIS IS DEPENDENT ON THE WASTE POSITION.