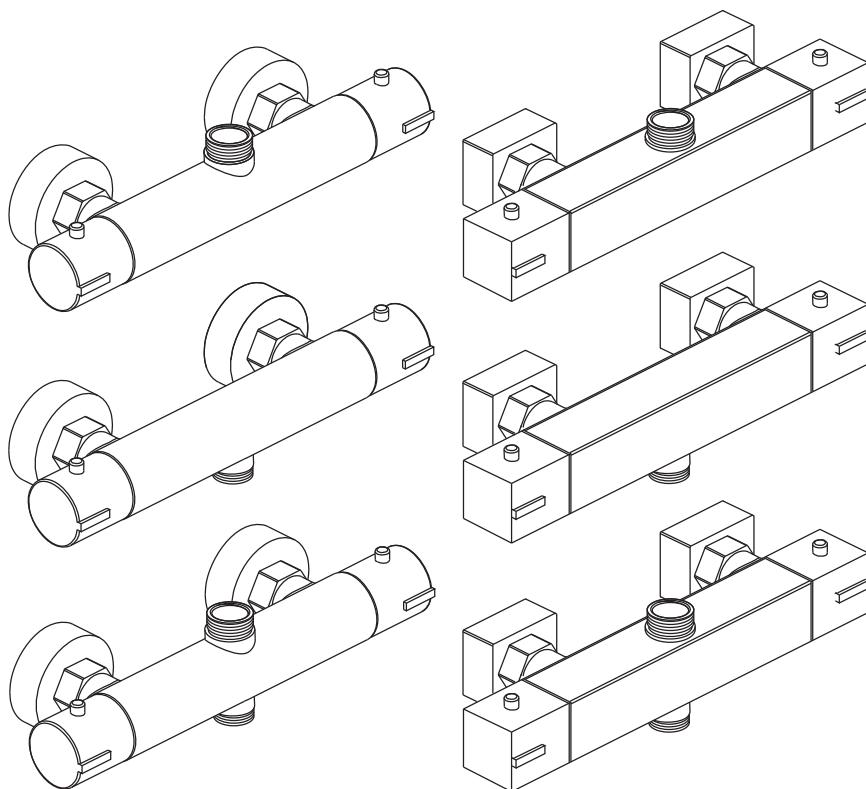




## Universal Thermostatic Shower Bar Valve



## Fitting Instructions

Please follow them carefully and  
leave this manual with end user

# Installation Guide

## Before you begin:

1. **We recommend that this product is installed by a qualified tradesperson,** Victorian Plumbing Ltd. accept no liability for products incorrectly installed, or where the correct testing procedures have not been adhered to, thus resulting in the escape of water and consequential damage.
2. Ensure the incoming mains water supply is switched off prior to commencing the installation.
3. Observe all local plumbing and building codes & regulations.
4. **Check the chosen wall space for any pipes/cables prior to drilling.**
5. Unpack the product then read these instructions before proceeding. Inspect the product for damage. If any damage is found, contact our Customer Relations team.

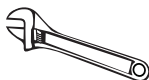
## Tool required for installation (Not Included):



Power Drill



Spirit Level



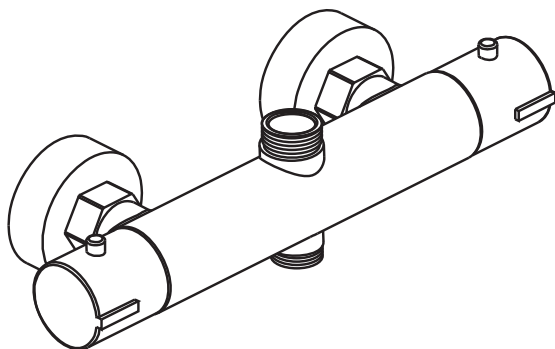
Wrench



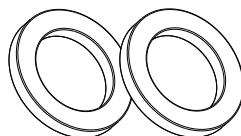
PTFE Tape

**\*Ensure the appropriate PPE is used during installation\***

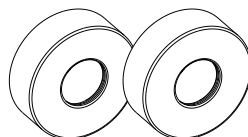
## Fitting List:



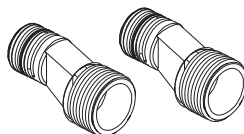
Bar Valve (x1)



Washers (x2)



Cover Caps (x2)



Fixing Brackets (x2)

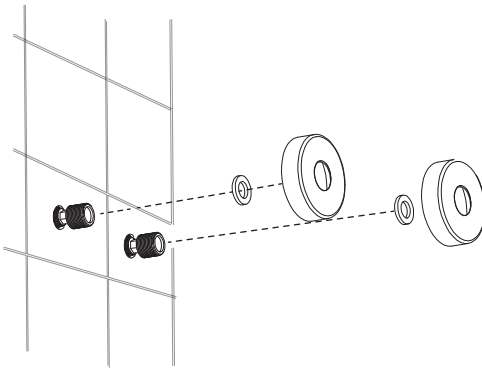
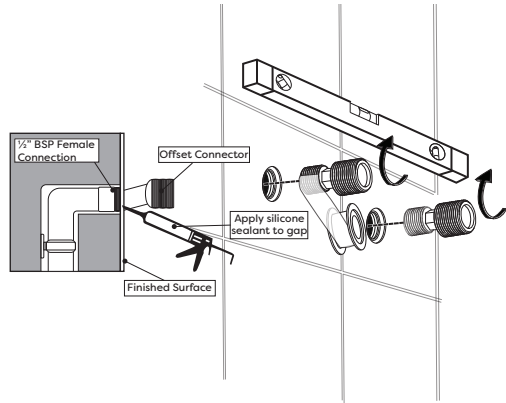
Diagrams are for illustration purposes only. Your Thermostatic Bar Valve may superficially differ from this drawing however the installation guide steps still apply.

## Diagram:

**Note!** When installing the pipework, ensure it is set at the correct distance apart (150mm) and securely fixed in place.

### Step 1:

- Apply suitable thread sealant P.T.F.E Tape (not supplied) and attach the offset connectors to the pipework in the wall.
- **Note!** Connections are: Hot-Left, Cold-Right. The shower unit does not allow for reversed inlets.

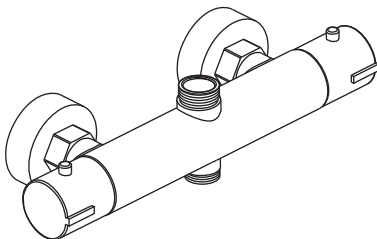
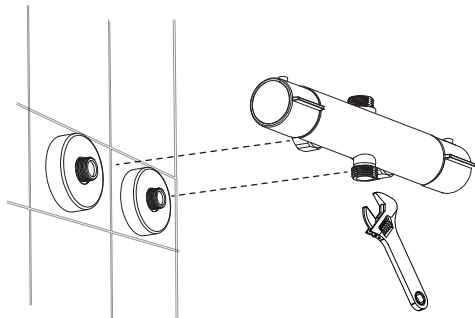


### Step 2:

- Screw the concealing plates onto the offset connectors until they come into contact with the wall. Fit a sealing washer/filter into each inlet of the shower unit and attach to the offset connectors.

### Step 3:

- Screw the valve body to the offset connectors, tighten the valve with an adjustable wrench.



### Step 4:

- Turn on the mains water supply, check all joints and connections for any leaks. Ensure the water flow and temperature control are functioning correctly.

## Operation Notice:

1. The work condition for use of this product is cold water 4-29°C, hot water 55-85°C and water pressure 0.5bar - 5bar. To avoid the differential pressure between hot water and cold water, the thermostatic cartridge is preferably under the condition of water pressure 3 bar, hot water 65°C and cold water 15°C.
2. Ensure that the shower valve is in the off position during periods of non-use.
3. Take measures to ensure the shower valve is not subjected to temperatures below 0°C freezing.
4. It is recommended that a qualified tradesperson should disassemble this valve.

## Maintenance:

If the water flow is less than normal and temperature control is imprecise after a period of usage. It is often due to the poor water which blocks the small filter net. The cleaning method: First, turn off the main valve, unscrew the securing nut with an Allen key making sure not to damage the O-rings. Clean/Replace check valve filters and refit. Dirt in the water will slow down or stop the flow of water.

## Aftercare:

Always clean the surface of shower valve to keep it bright. **Attention:** please do not use inappropriate tools such as sharp brushes, rough sponges, scouring pads or corrosive detergent to clean the shower valve. Please clean the shower valve by wet cloth and soapy water after each time of usage. Then rinse the soap out with clean water and dry with a soft cotton cloth.

## Troubleshooting

FAULT	POSSIBLE CAUSE
Shower only runs hot or cold after installation	<ul style="list-style-type: none"><li>• Hot and cold supplies have been plumbed the wrong direction.</li><li>• Faulty thermostat.</li><li>• Insufficient water pressure.</li></ul>
Shower does not run hot enough	<ul style="list-style-type: none"><li>• Check the hot water supply temperature.</li><li>• Maximum temperature needs adjusting, see temperature adjustment.</li><li>• Blockage in the hot supply.</li></ul>
Hot water in cold supply or vice versa	<ul style="list-style-type: none"><li>• Check and clean non-return valves.</li><li>• Check Hot and Cold supplies have not been reversed during installation.</li></ul>
Low or no flow	<ul style="list-style-type: none"><li>• Possible blockage/debris in the system.</li><li>• Operating conditions are incorrect.</li><li>• Valve shut off has been activated due to a pressure drop in either the cold or hot supplies.</li></ul>
Leaking when in the off position	<ul style="list-style-type: none"><li>• Debris in the flow control cartridge.</li><li>• Faulty control cartridge.</li></ul>
Fluctuating flow	<ul style="list-style-type: none"><li>• Dynamic inlet pressure are not balanced.</li></ul>