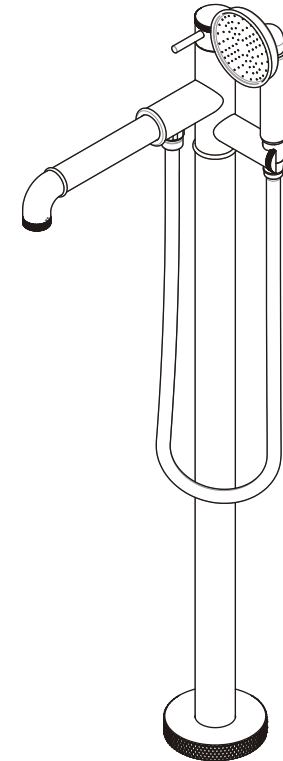


## Warranty

All Crosswater products come with a limited lifetime warranty. For full details, terms and conditions please contact Crosswater on: **0345 873 8840** or visit our web-site at [www.crosswater.co.uk](http://www.crosswater.co.uk)

The manufacturer reserves the right to make technical modifications without prior notice.



## Installation Instructions

# Floor Standing Bath Shower Mixer

PRI416C/UB/M

## Introduction

**IMPORTANT:** Please read these instructions carefully before you begin and retain for future reference. These instructions have been prepared for your guidance, you must exercise due care at all times.

We do not accept responsibility for any problems that may occur through incorrect installation.

## Installation Notes

### General Installation Guide

This guide contains all the necessary fitting information for the mixer.

Please read all the instructions carefully before beginning the installation. Care taken during installation will ensure long life and trouble free operations from the tap.

Before installing the new mixer, it is essential that you thoroughly flush through the supply pipes in order to remove any remaining swarf, solder or other impurities. Failure to carry this simple procedure could cause problems or damage to the working of the mixer.

**NOTES:** The installation must comply with all plumbing codes including local codes and be installed by a licensed plumbing contractor.

This product should only be fitted by a qualified plumber to NVQ (National Vocational Qualification) or SNVQ (Scottish National Vocational Qualification) Level 3. Should the installation be completed by a non-qualified person then the warranty may be considered invalid.

For further information or to find a qualified installer in your area please visit the Institute of Plumbers website - [www.iphe.org.uk](http://www.iphe.org.uk)

## Cleaning

The protective finish we use on our taps is very durable, nevertheless care should be taken when cleaning them.

True brass taps tend to oxidize quickly when exposed to air. The polished brass surface requires regular cleaning with a brass cleaner.

They should be cleaned only with warm soapy water followed by rinsing with clean water and drying with a soft cloth. All finishes are vulnerable to acid attack and some strong substances such as household cleaners, disinfectants, denture cleaners, hair dyes can cause damage to the surface.

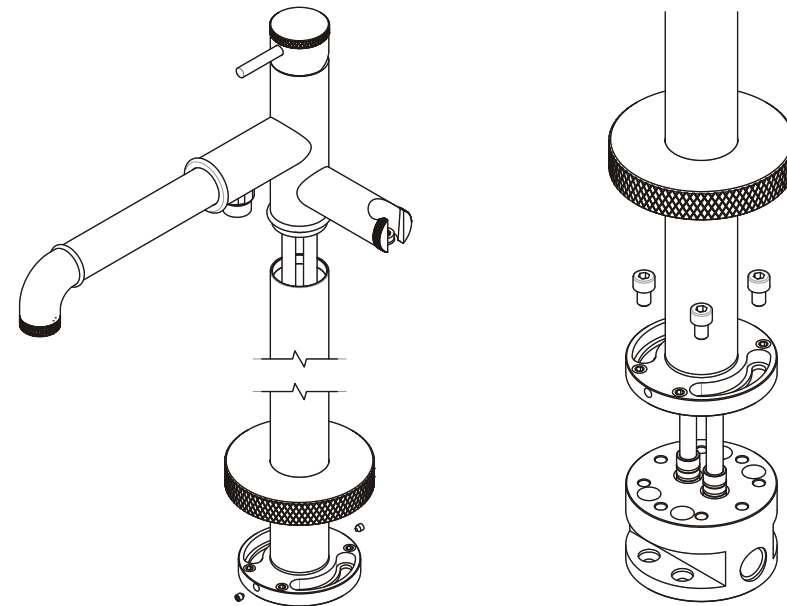


Fig.5

Slide the floor plate through the leg and install connections and base ring. Secure leg to the spout body and to the base ring, and tighten the 2 screws from the side. Pass the connections into the holes in the base body on the floor. Using the fixing screws, secure the base ring to the base body.

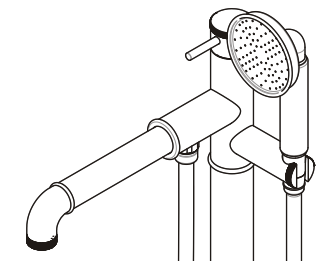
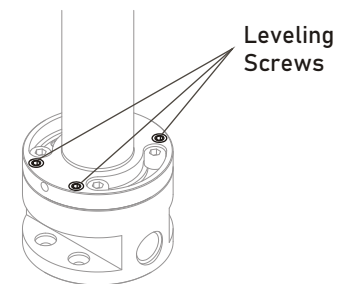


Fig.6

Use leveling screws to adjust the verticality of the set. Install hose to handshower and connect to mixer.

You can now open both feeds and check for leaks.

## Installation

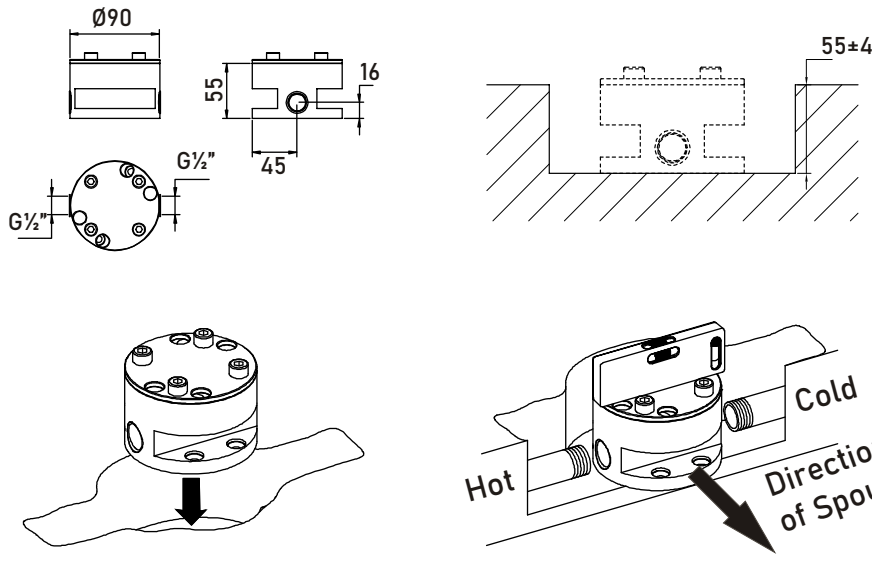


Fig.3

Create space on the floor for the base body and connections, following the required dimensions. Install body, and connect supply pipes using Teflon tape. With level, check if base body is flat.

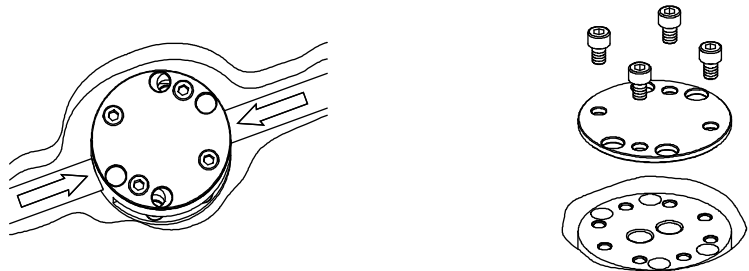


Fig.4

Open both feeds to check if the installation leaks. If so, remedy and when ready, close feeds again. Cover up hole while leaving enough space for future maintenance. Remove cover from base body and discard plate. Screws will be used later.

## Parts Supplied

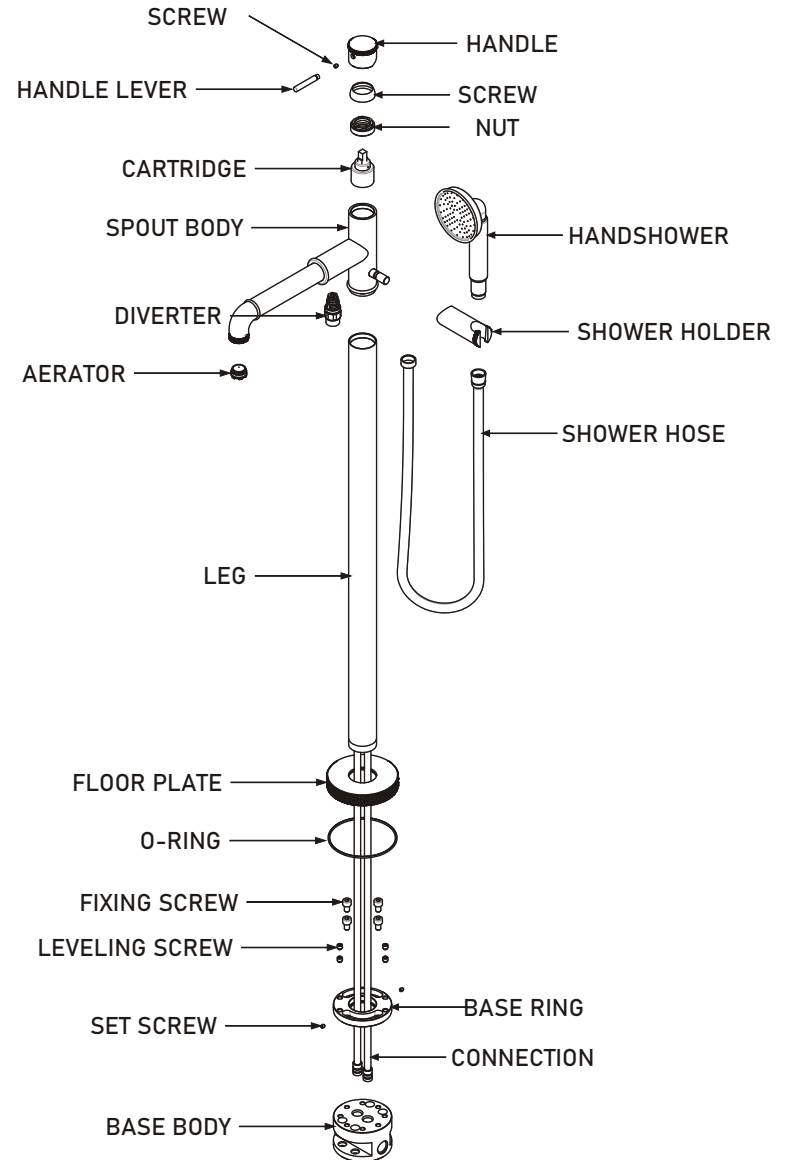


Fig.1

## Dimensions

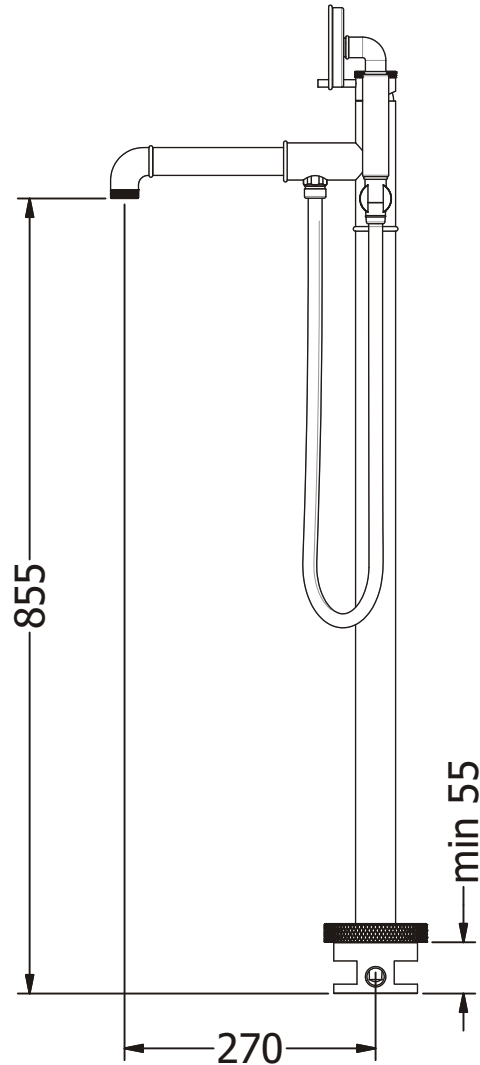


Fig.2

## Installation Instructions

First shut off your water heating system then, with your mains stop cock closed, open the lowest hot and cold taps in the house and allow to run until the cold storage tank and pipes are empty (the hot water storage cylinder always remains full).

Fitting isolating valves to the inlet feeds is recommended for ease of maintenance.

Identify all components before fitting; Make sure you follow all instructions and that dimensions are as required.

Remember to allow easy access to all serviceable parts, for ease of future maintenance.

Loosely position the tap and connecting pipes to check if any alteration to the existing pipework is required.

**Make sure mains water supply are closed before connecting to any existing pipe work.**