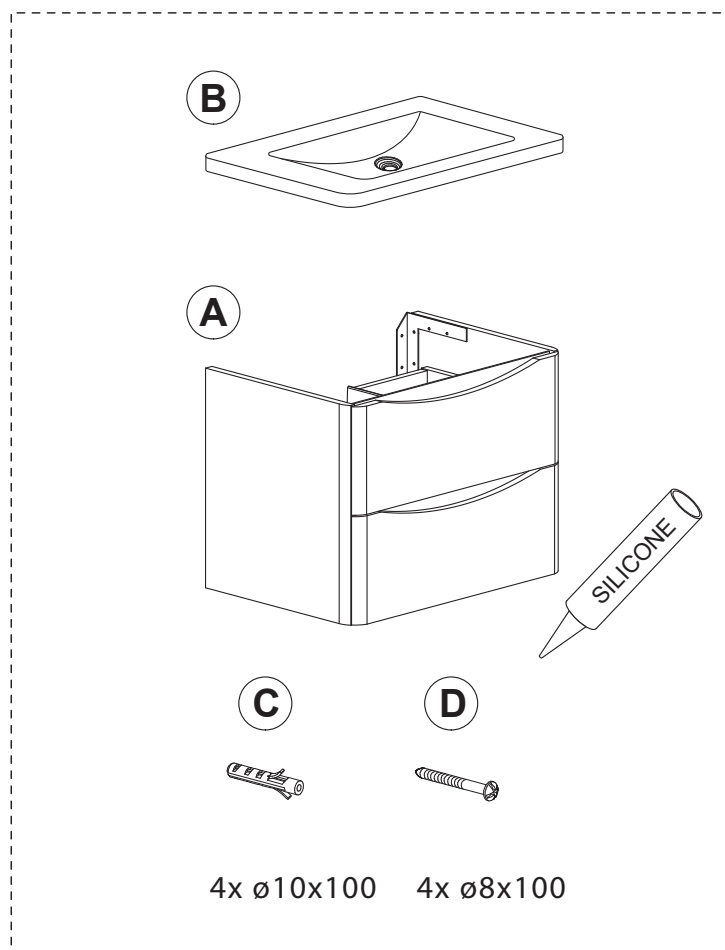


RONDA White Ash 600 mm Wide Wall Mounted Vanity Unit

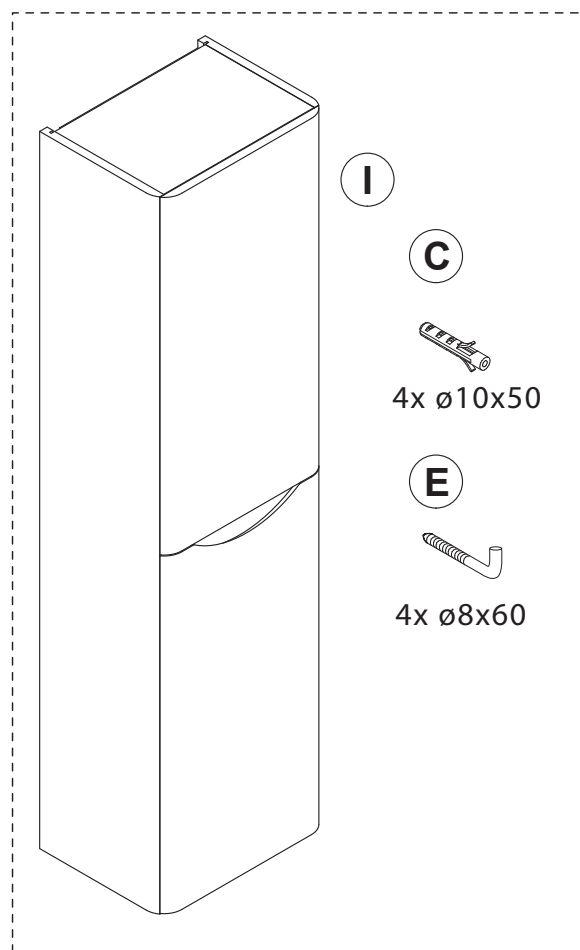


Included in package:

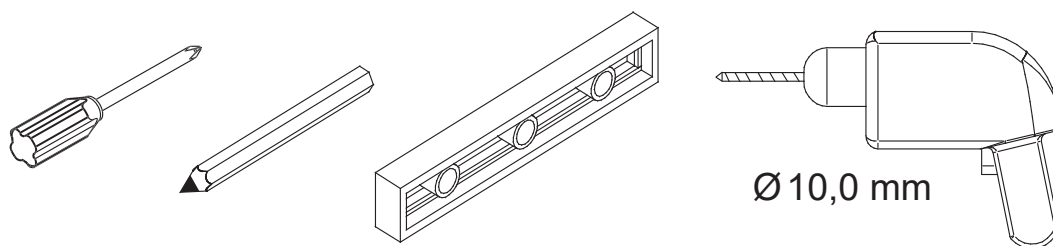
I - DRAWER BOX



II - VERTICAL CUPBOARD (optional)



Tools:





ATTENTION!

- Furniture contains small parts that can be hazardous to children.
- MDF furniture is moisture resistant but not waterproof; the moisture resistance of the cabinet is provided by intact multi-layered paint coating.
- Electricity - in the bathroom, the whole electrical system must be connected through an earth leakage breaker.
- Electric, water and sewer connections must be carried out only by trained and certified professionals.

1. INSTALLATION

1.1. LOCATION

- The recommended sink height is 90 cm from floor level.
- Make sure not to place the furniture immediately next to the bathtub or open shower corner (spacing of at least 60 cm is required). The recommendation follows electrical appliances installation requirements for the bathroom, it is to ensure your safety, as well as helps protect you and your furniture from water damage.
- If the requirement cannot be complied with, we recommend using stationary partitions/shower walls to prevent water from splashing on the furniture. Try to place your furniture so that when water gets onto the furniture you could access the furniture to dry the sides and lower edges of the cabinets.

1.2. CABINET MOUNTING

- For the cabinet mount and installation, we recommend using the cabinet packaging as a "carpet" on the floor to avoid damaging the protective paint coating of the cabinet, which would otherwise lead to moisture absorption and swelling of the cabinet details.
- Before mounting the cabinet to the wall, make sure that the wall structure can bear the cabinet load also after the installation i.e. during the period of use.
- WE RECOMMEND USING SPECIAL DOWELS AND SCREWS THAT ARE DESIGNED AND DIMENSIONED FOR THE SPECIFIC WALL MATERIAL AND CONSTRUCTION. Universal dowels included in the kit may not always be the best solution.

1.3. SINK MOUNTING

- Attach the sink to the cabinet/cabinets with the silicone included in the kit. Be sure to fill with the silicone the surfaces between the wall and a sink, and between the cabinets and the sink.

1.4. WATER AND SEWERAGE

- The faucet should be connected through separate valves (ball valve, etc. - is not supplied with the kit), so that you can close only the water chain coming into the sink, if necessary (e.g. for repairing / replacing the faucet).
- N.B. DO NOT USE FAUCETS WITH BOTTOM FLAP ON THE SINKS WITHOUT OVERFLOW to avoid the possible accidental overflowing.

2. MAINTENANCE

2.1. FURNITURE:

- After use, always dry the surfaces from water to prevent lime stains generating during drying and slow permeation of water through possible micro cracks.
- CAUTION! Never let the water flow/splash directly (for example, from showers) to the furniture. Never rub painted surfaces with abrasive powder, polishing agents or strong solvents (alcohol, acetone, nitro-thinner). If a strong solvent still gets onto the surface, it should be wiped up immediately to avoid stains. Be careful when using sharp-edged objects for cleaning as these can damage the painted surfaces.
- Heavily soiled surfaces can be cleaned with alcohol diluted with water 1:1. After cleaning, wipe the surface.

2.2. BASIN

2.2.1. EVERYDAY CARE

- It is recommended to clean the basin immediately after every use. Rinse thoroughly with warm water and dry with soft and dry cloth to avoid water stains.
- Washing with soap or hand dishwashing liquid and water is usually sufficient to remove surface dirt or stains.
- Upon need of thorough cleaning wide variety of bath cleaning sprays sold with safety labelling allowing the cleaning of such surface or commercially available solid surface cleaners are effective.
- Drying is an important step, preventing a build-up of limescale, soap film or cleaning residue, which can create the appearance of light scratches over time.

2.2.2. PREVENTING DAMAGE

Some chemicals are not compatible with Solid Surface materials, and could permanently harm the surface beyond repair. Avoid surface contact with:

- Strong chlorinated solvents: Chloroform, Chlorobenzene
- Nail polish removers, paint removers, solvents: Methylene Chloride, Acetone, Turpentine, Ethyl Acetate, Furfural
- Very strong acids: Concentrated Sulfuric Acid, Hydrochloric Acids, Acetic Acid, Chromic Trioxide Acid, Formic Acid, Glacial Acetic Acid, Hydrofluoric Acid, Nitric Acid, Phosphoric Acid, Sulphuric Acid, Trichloroacetic Acid
- Ketones
- Cresol, Phenol (Phenols)
- Dioxane (Ethers)
- Giemsa, Hexaphene, Luralite, Photographic Film Developer
- Acid drain cleaners, Aqua Regia Cleaner, stove and toilet cleaning products
- Other unknown chemicals or chemicals not allowed for cleaning for Solid Surface materials
- Salts, oils, milks, colourants, and other chemical bathwater additives. Surfaces exposed to these chemicals should be promptly flushed with water; contact may cause spots that may require extensive repairs. Remove nail polish with a non-acetone-based nail polish remover and flush with water.
- Avoid subjecting Xonyx™ Solid Surface to extreme hot temperatures or hot objects. Solid Surface has excellent heat resistant properties. However, placing heat-generating appliances or hot objects, can damage the surface.
- Never cut on a Solid Surface surface to avoid scratching the surface.
- Avoid dropping heavy and/or sharp objects on the surface as it may harm the surface or altogether break the product beyond repair.

2.2.3. CLEANING OF DRAINAGE SYSTEM

The drainage system is assembled from standard plastic drain components. To remove a possible clog up a standard household drainage cleaning agent may be used that is allowed for such purpose. Remove the drain cover by pull it up/off and pour carefully the cleaning agent to the drain tube not spilling the pipe cleaner over product surfaces.

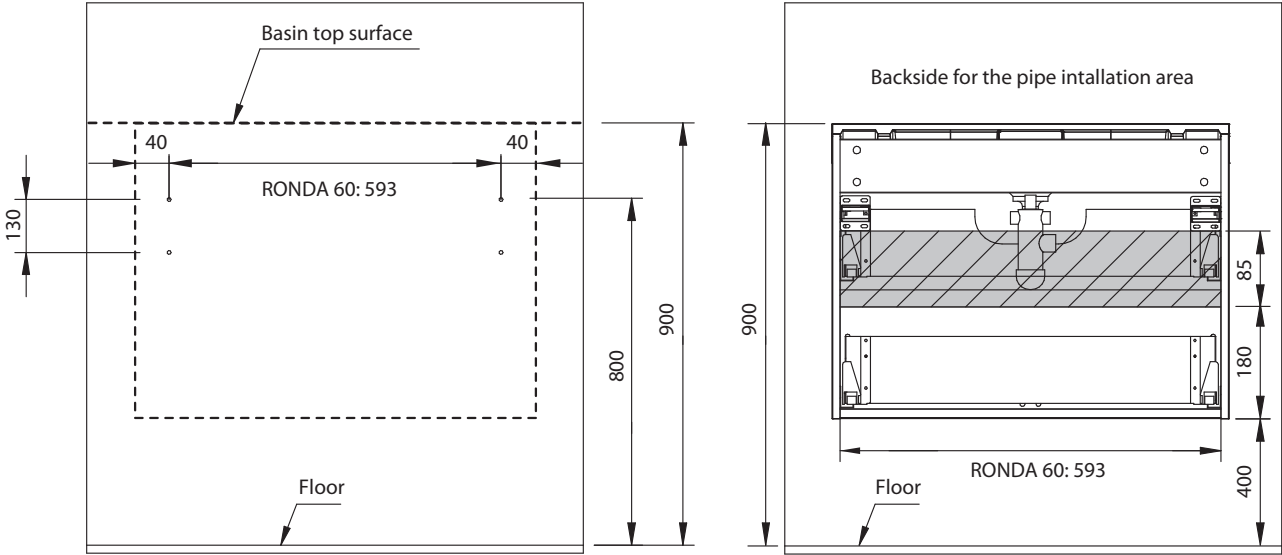
2.2.4. REPAIRS

For possible need of repair of the product please contact the dealer for further information. Minor damage that may accidentally occur is most often repairable.

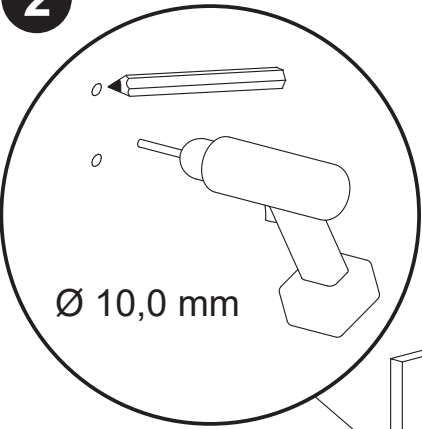
RONDA furniture

INSTALLATION

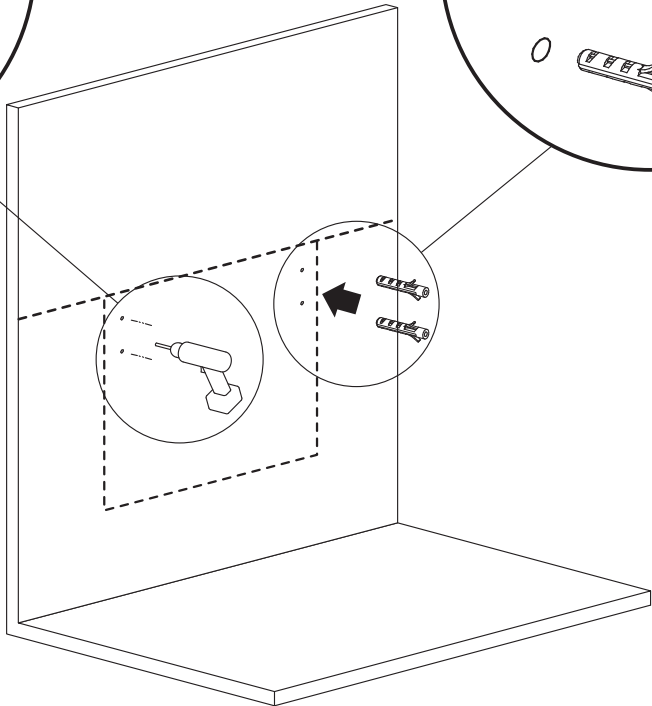
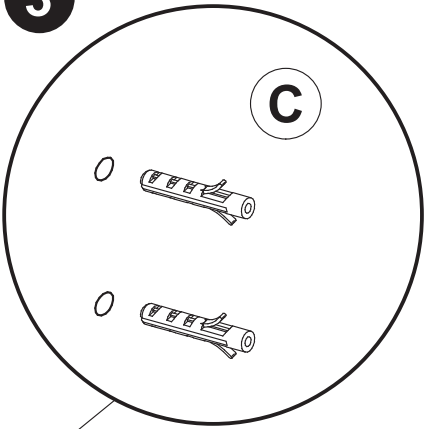
1



2

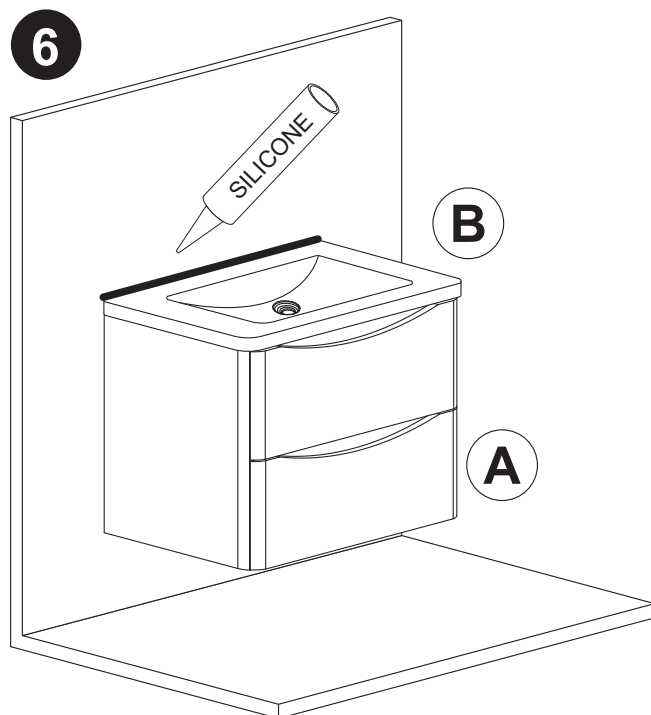
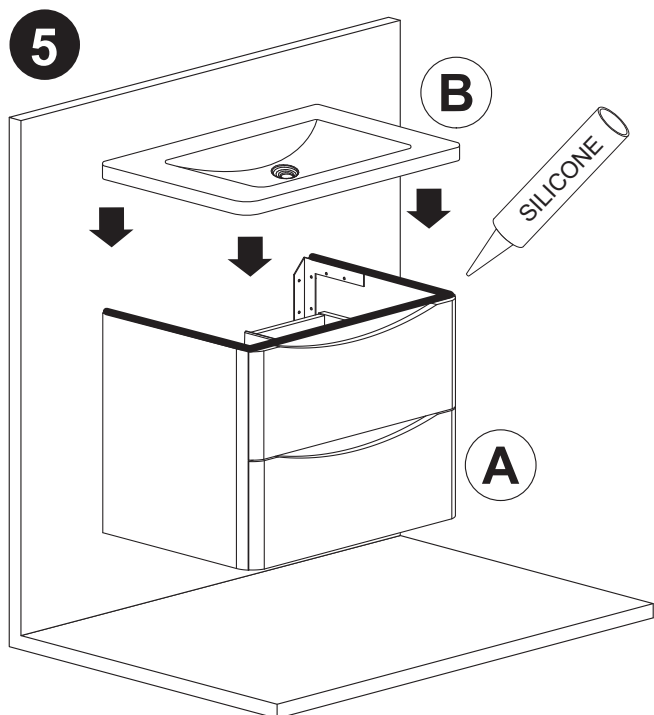
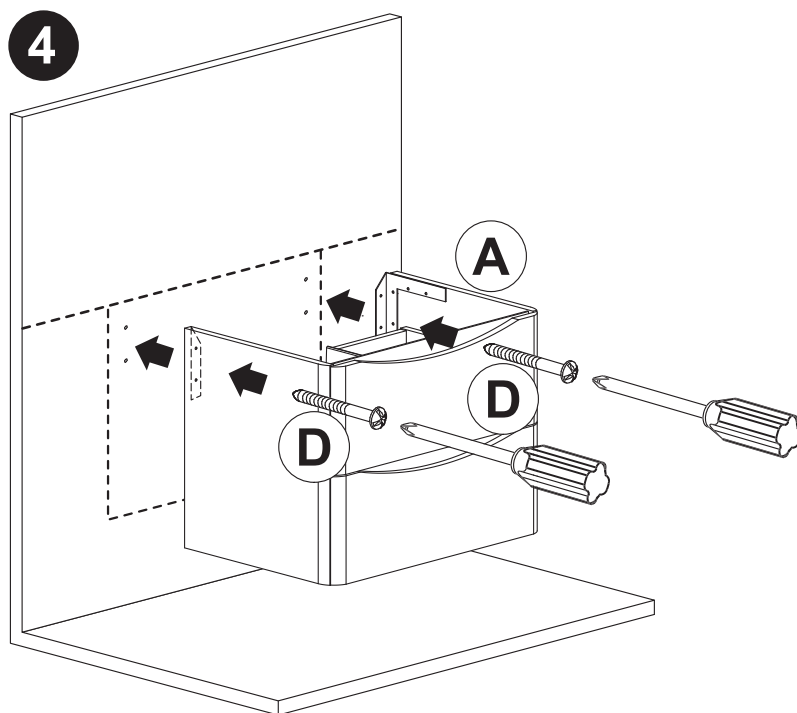


3



RONDA furniture

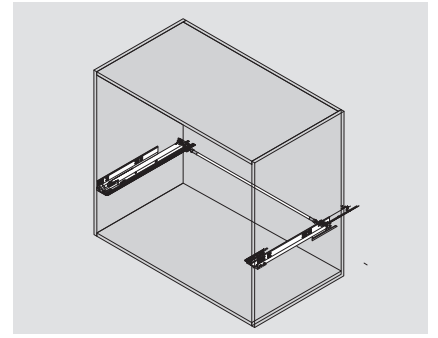
INSTALLATION



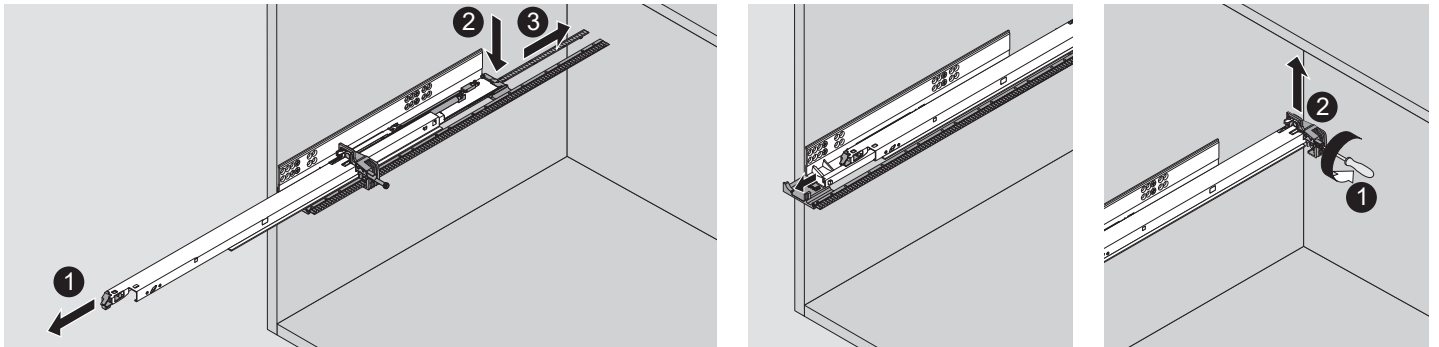
RONDA furniture

INSTALLATION

ADJUSTING THE DOOR

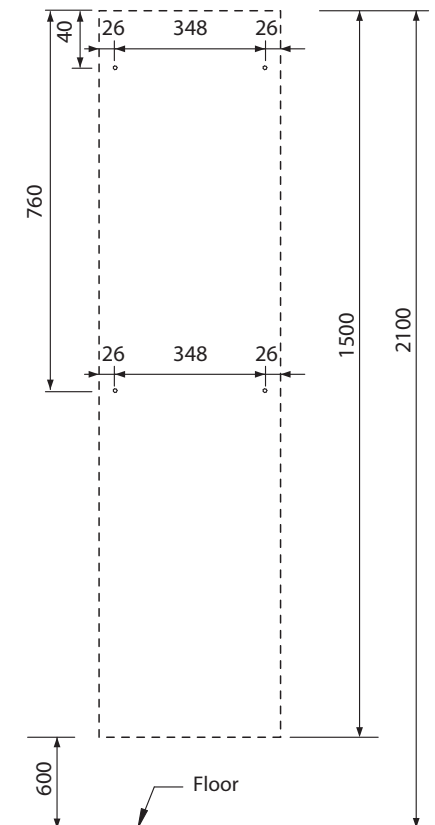


7

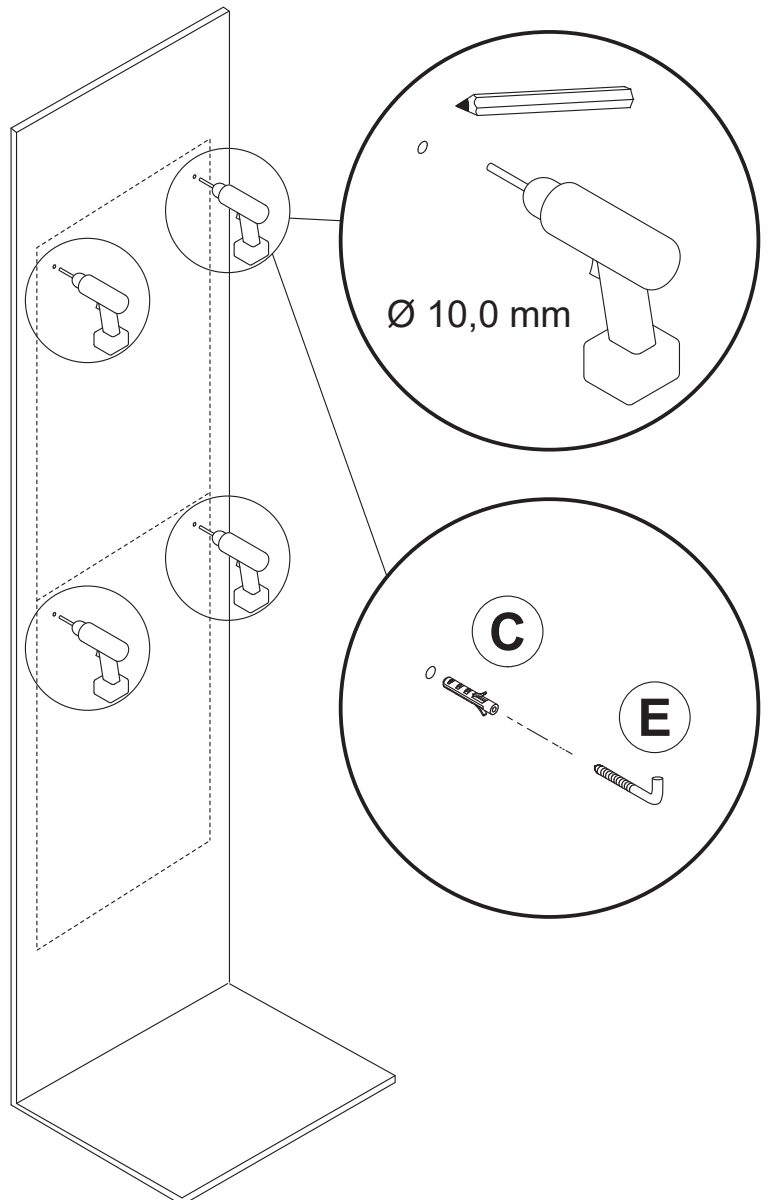


VERTICAL CUPBOARD (OPTIONAL)

8

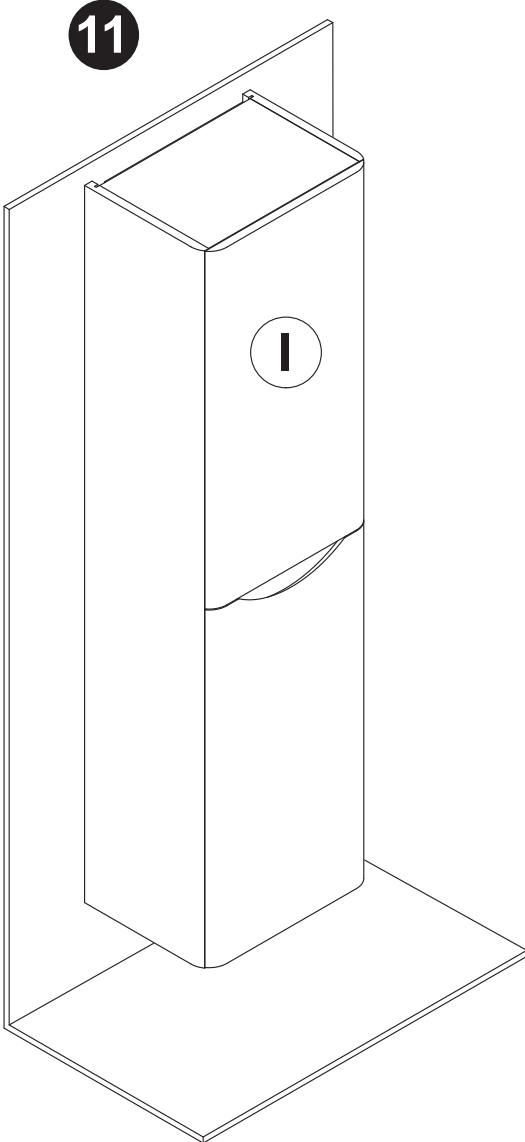
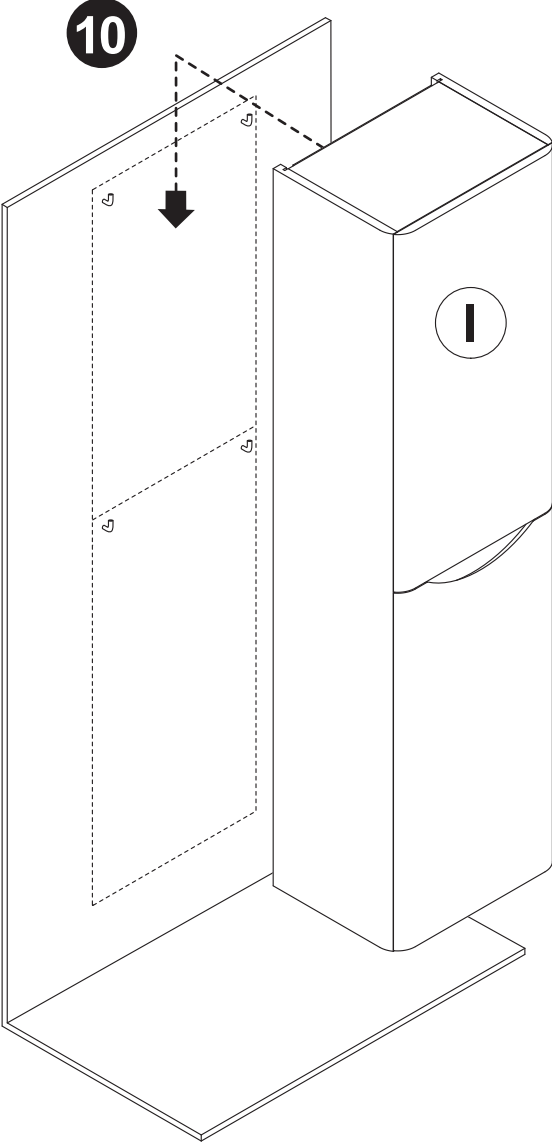


9

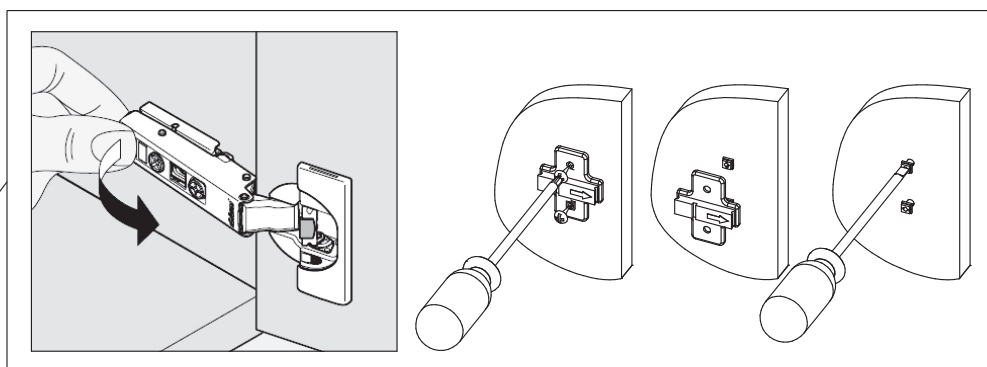


RONDA furniture

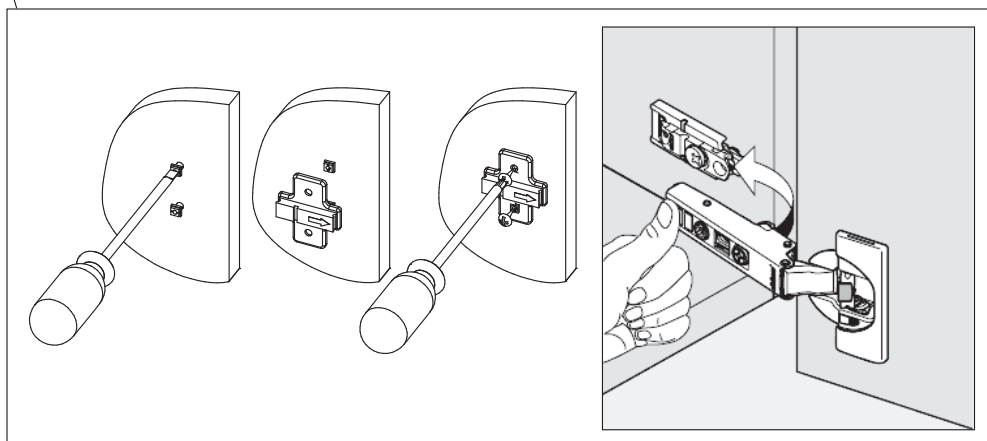
INSTALLATION



12 RELEASING THE DOOR



13 ATTACHING THE DOOR



14 ADJUSTING THE DOOR

