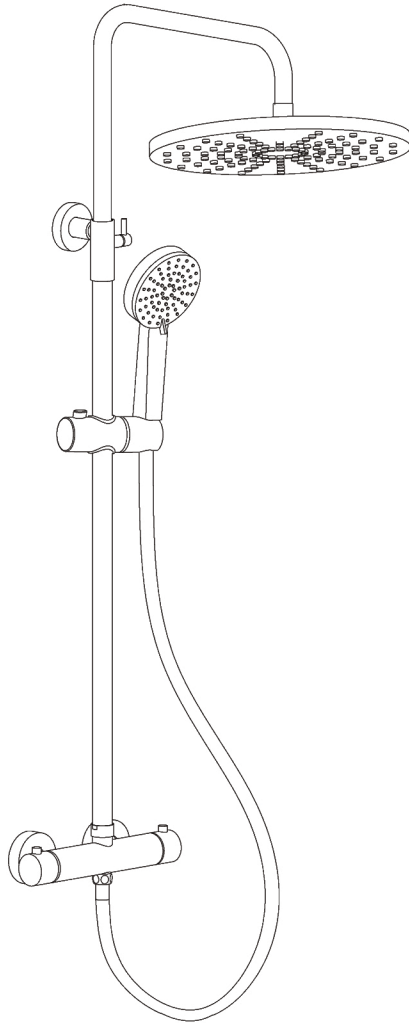


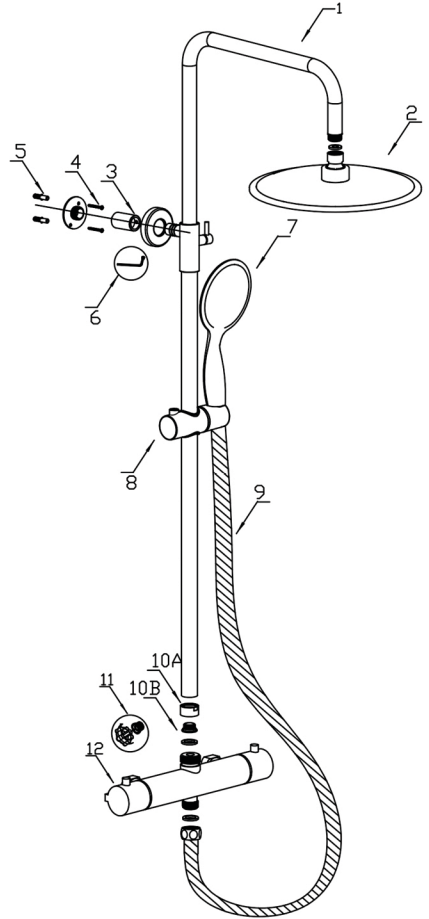
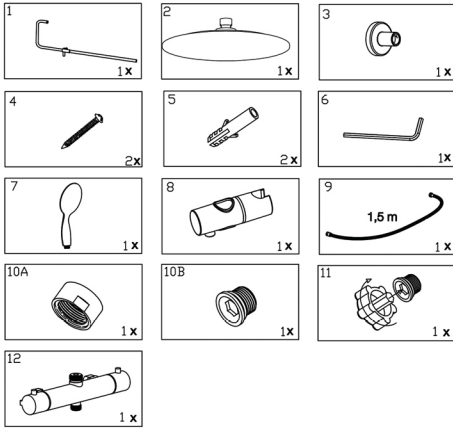
Installation Guide



Round Modern Thermostatic Shower - Chrome

Round Modern Thermostatic Shower - Chrome

Component Listing



Tools required for installation (not supplied)



Electric Drill



PTFE Tape



Spirit Level



Wrench



Screw Driver

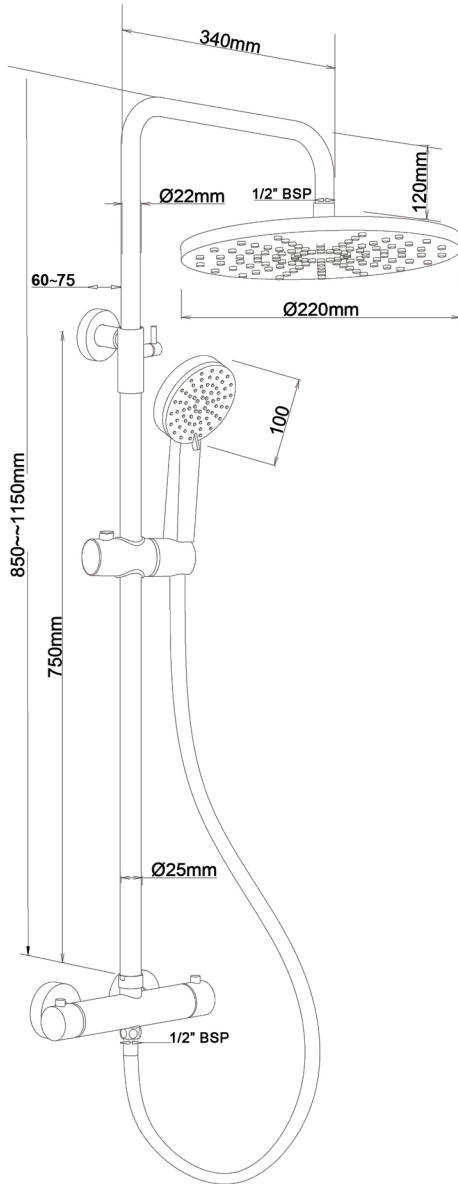
Installation Notices.

1. All parts should be removed from their packaging and inspected for any physical damage and make sure it is complete prior to installation; you should read these instructions thoroughly before commencing installation. We do not accept responsibility for problems that may occur due to improper installation. Always ensure you have sufficient hot and cold water pressure available to allow correct operation prior to installing this product.
2. Any defect prior to installation please contact us.
3. Installation of the shower must be carried out in accordance with these instructions by qualified, competent personnel.
4. The plumbing installation must comply with all national or local water regulations and all relevant building regulations, or any particular regulation or practice specified by the local water supply company.
5. DO NOT apply excessive force to plumbing connections; always provide mechanical support when making plumbing connections. Any soldered joints should be made before connecting the shower. Pipework must be rigidly supported.
6. Only use the inlet connections supplied with the product. DO NOT use any other type of fittings.
7. DO NOT overtighten pipe connections or screws as product damage may occur.
8. Water pressure range:0.05-0.5MPa Water supply temperature range: Hot water (55-85°C)
Cold water (4-29°C)
9. When installing the Shower Unit please ensure that there is a minimum of 118cm height clearance above the shower valve to allow for the riser pipe and overhead shower head to be fitted.
10. When installing the pipework, ensure it is set at the correct distance apart (150mm) and solidly fixed.
11. Tighten the offset connectors using a suitable spanner. Make sure that the connectors are level and set at the correct distance apart, using the shower unit as a guide to spacing.
12. Prior to installation flush the water supplies thoroughly before attaching the shower unit, failure to carry out this simple procedure could cause problems or damage to the working of the product.
13. Pressurise the shower unit and check all connections for leaks.

Safety Notice.

Prior to drilling into walls, check there are no hidden electrical wires, cable or water supply pipes. Always wear protective equipment such as safety glasses and ear plugs whilst using power tools.

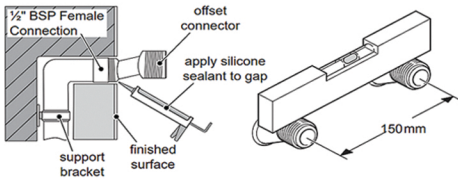
Technical Drawing.



Diagrams are for illustration purposes only. Your shower may superficially differ from this drawing, however the installation guide steps still apply.

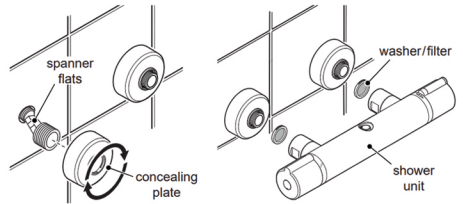
Installation Steps.

Step 1



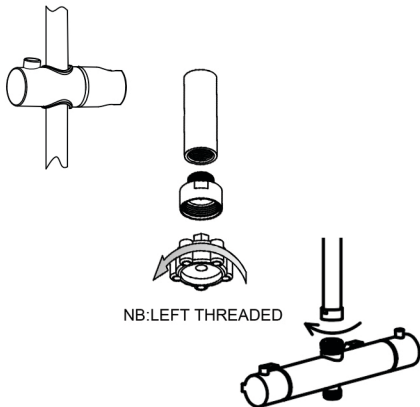
Apply suitable thread sealant P.T.F.E Tape (not supplied) and attach the offset connectors to the pipework in the wall. Note! Connections are: Hot-Left, Cold-Right. The shower unit does not allow for reversed inlets.

Step 2



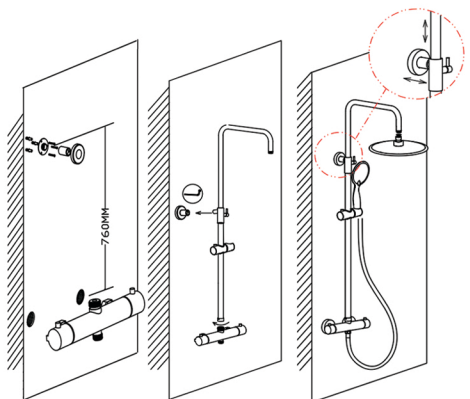
Screw the concealing plates onto the offset connectors until they come into contact with the wall. Fit a sealing washer/filter into each inlet of the shower unit and attach to the offset connectors.

Step 3



Install the riser into the top outlet of the shower valve.

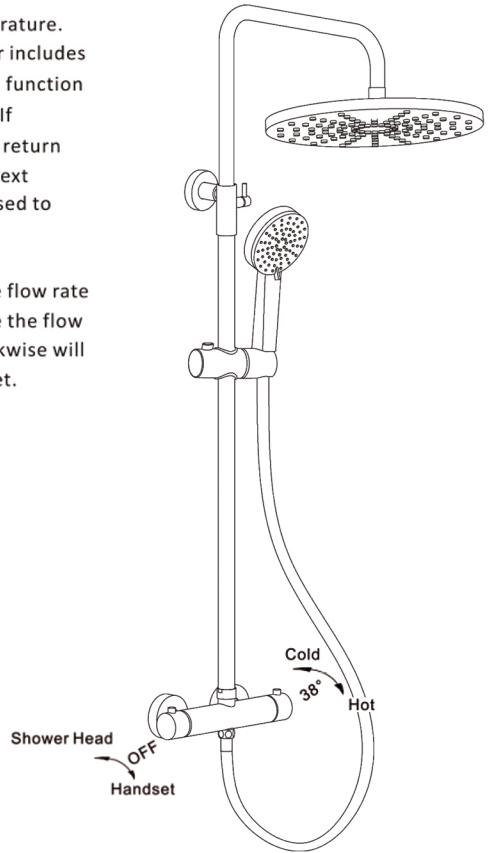
Step 4



Fit the wall bracket to the riser kit.

Product Operation.

1. Turning the right handle controls the water temperature. To prevent scalding, a safety feature of the shower includes a temperature stop at 38 degrees. To override this function the button on the handle will need to be pressed. If overriding the temperature, when finished please return the handle to below 38 degrees as to ensure the next person using the shower does not risk being exposed to high-temperature water.
2. Turning the left handle of the shower, controls the flow rate and turning the handle anticlockwise will increase the flow to the main shower head. Turning the handle clockwise will increase the water flow rate to the shower handset.



Product Maintenance.

- Whilst modern plating techniques are used during the manufacturing of this product, if not correctly cleaned and cared for - the life span of the product will be reduced.
- It is recommended that your product be cleaned with a soft damp cloth only
- Use of chemicals/scourers will damage the plated surface.
- If the water volume becomes lower, remove the filter and gasket at the water connection to clean the filter and pipework.

