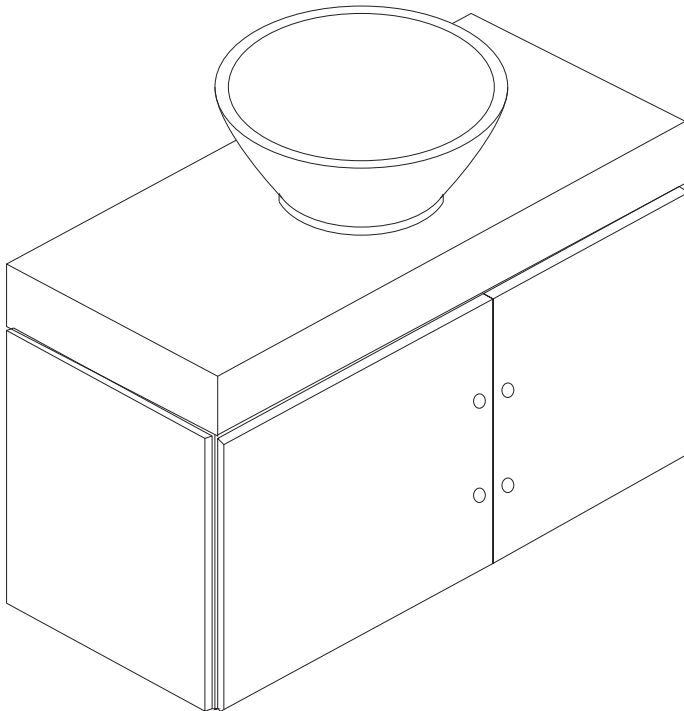




**victorian  
plumbing.co.uk**

## **Vanity Unit**




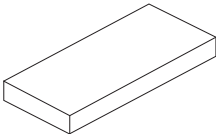
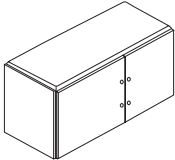
## **Fitting Instructions**

Please follow them carefully and  
leave this manual with end user

## Before you begin:

1. **We recommend that this product is installed by a qualified tradesperson**, Victorian Plumbing Ltd. accept no liability for products incorrectly installed or any damage to the floor, walls, plumbing, vanity cabinet, sink, counter top, or personal injury during installation.
2. **Check the chosen wall space for any pipes/cables prior to drilling**
3. **We recommend that Wall Mounted Vanity Units must be fastened to load bearing wall.**
4. Observe all local plumbing and building codes & regulations.
5. Ensure the incoming mains water supply is switched off prior to commencing the installation.
6. For the following instructions, it is assumed that the in-wall/floor plumbing has already been prepared.
7. Unpack the product then read these instructions before proceeding. Inspect the product for damage. If any damage is found, contact our Customer Relations team.

## Items Included:

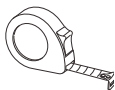
No.	Description	Picture	Qty
A	Basin		1
B	Counter Top		1
C	Cabinet		1

**Fitting kit is not included:** different fixings can be purchased from your local DIY store. Ensure the fixings you choose is suitable for this type of unit.

## Tools Required (Not Included):



Pencil



Tape Measure



Drill



Screw Driver



Spirit Level



Adjustable Wrench

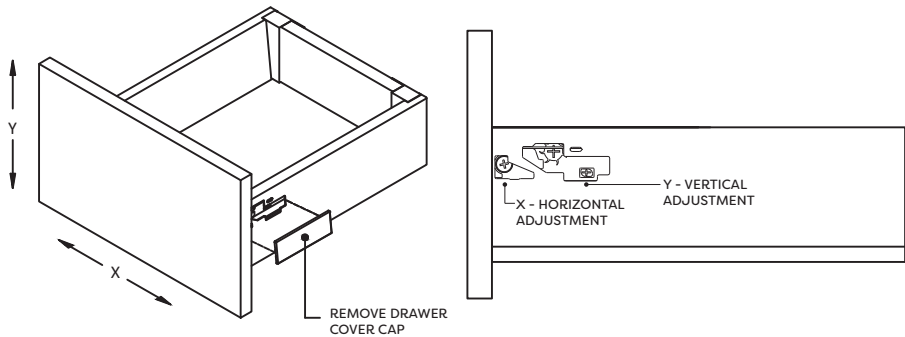


Silicone Sealant

# Furniture Installation

This Instruction covers a variety of topics to help with your installation. Drawer Box Adjustment, Handle drilling and Wall Hanging. Diagrams are for illustration purposes only. Your Vanity Unit may superficially differ from these drawings however the installation guide steps still apply.

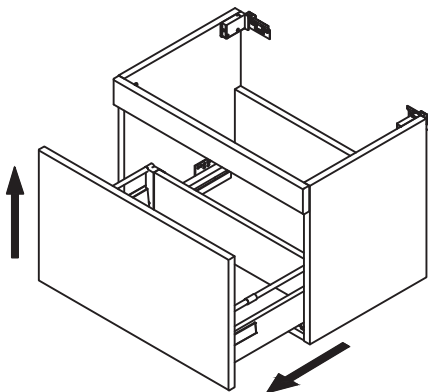
## Drawer Box Adjustment:



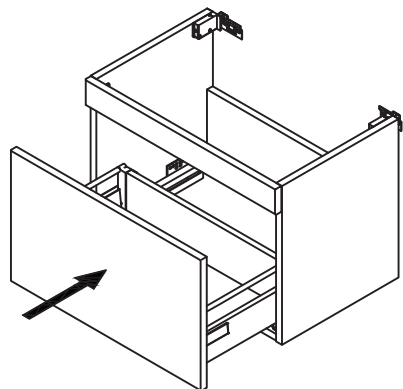
## Remove and Re-fit Drawer

- Remove the drawer from the cabinet prior to fitting the unit to the wall. Pull out the drawer to its full extension and gently lift the drawer box upwards until it disengages from the runner.
- To re-fit the drawer, fully extend the drawer runners and locate drawer box onto runners. Push the drawer box fully in until you hear a 'click'. The drawer should now be correctly located onto the runners.

### Remove Drawer

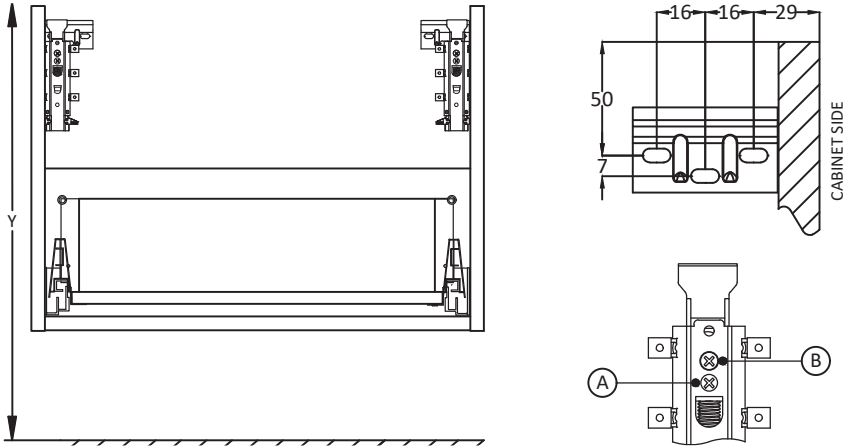


### Re-Fit Drawer



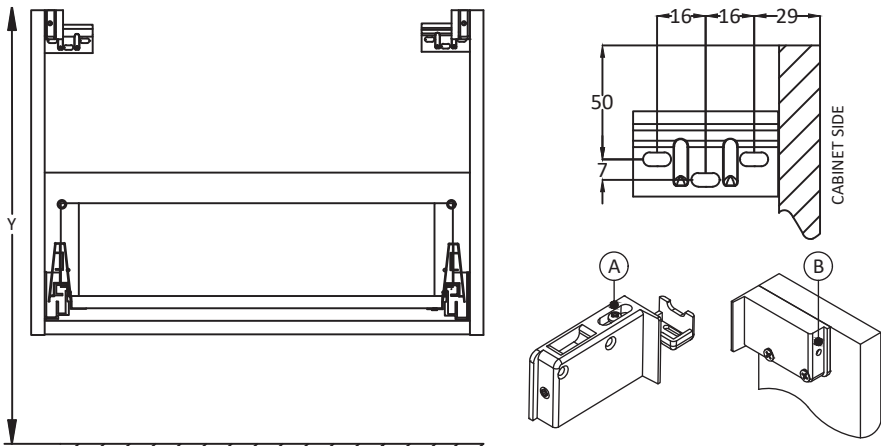
## Fixing Wall Hanging Plates (Caterpillar Wall Brackets)

- Fix the wall hanging plates as shown below. Check the type of wall you are fixing into and use suitable fixings (Not Supplied).
- You may need to lengthen the hook protrusion. To do so, turn screw 'B' anti-clockwise. Tighten screw 'B' to fit the cabinet to the wall. You may need to make some fine adjustments once the cabinet is fitted. Turn the screw 'A' clockwise for DOWN and anti-clockwise for UP.



## Fixing Wall Hanging Plates (Standard Wall Brackets)

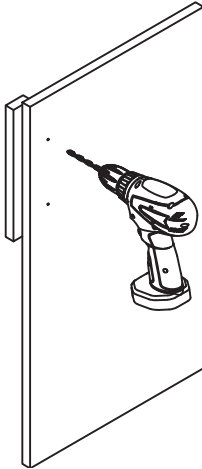
- Fix the wall hanging plates as shown below. Check the type of wall you are fixing into and use suitable fixings (Not Supplied).
- You may need to lengthen the hook protrusion. To do so, turn screw 'B' anti-clockwise. Tighten screw 'B' to fit the cabinet to the wall. You may need to make some fine adjustments once the cabinet is fitted. Turn the screw 'A' clockwise for DOWN and anti-clockwise for UP.



## Door Drilling & Hinge Adjustment

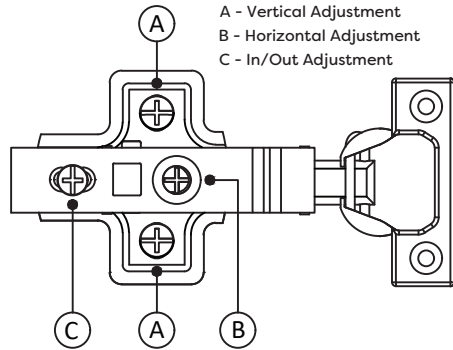
- Some doors are supplied non-drilled for the handles/knobs so that the end user can create the exact look that they want to achieve. Select your desired handle position. Always measure twice before drilling to make sure that the handles will be in the correct position. Check that the hinges and internal components are not in the way of where the handles will be drilled.
- Using an appropriately sized drill bit, drill through the reverse of the fascia into a scrap piece of wood to help prevent splitting.

**NOTE:** DRILLED DOORS CANNOT BE RETURNED.



### HINGE ADJUSTMENT

(Adjustment applies when door is mounted)

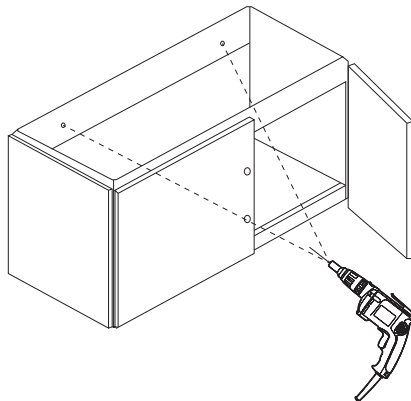


## Installation

Diagrams are for illustration purposes only. Your Vanity Unit may superficially differ from these drawings however the installation guide steps still apply.

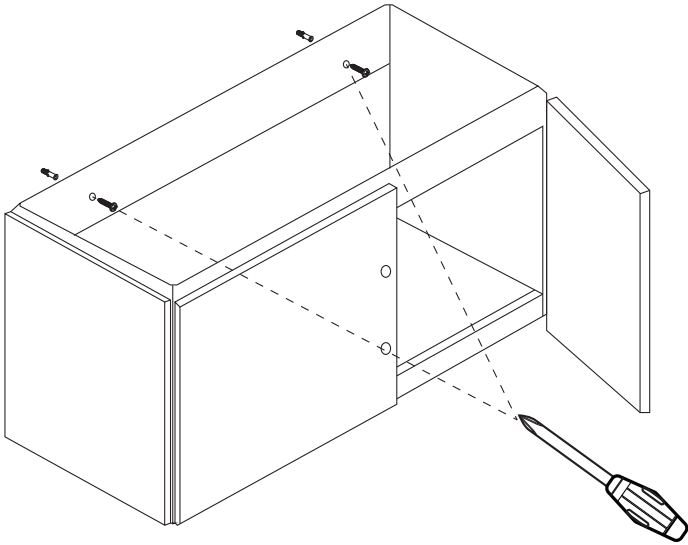
### Step 1:

- Mark and drill through the back plinth into the wall in the desired location, check the wall for any pipes/cables prior to drilling.



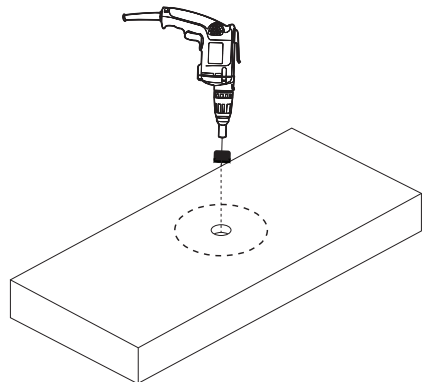
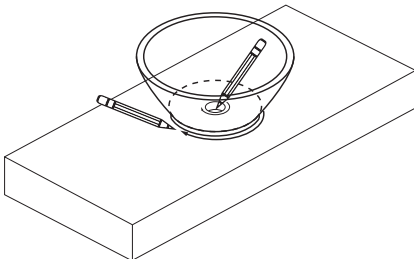
## Step 2:

- Locate an insert the appropriate fixing kit into the drilled holes to secure the unit to the wall.



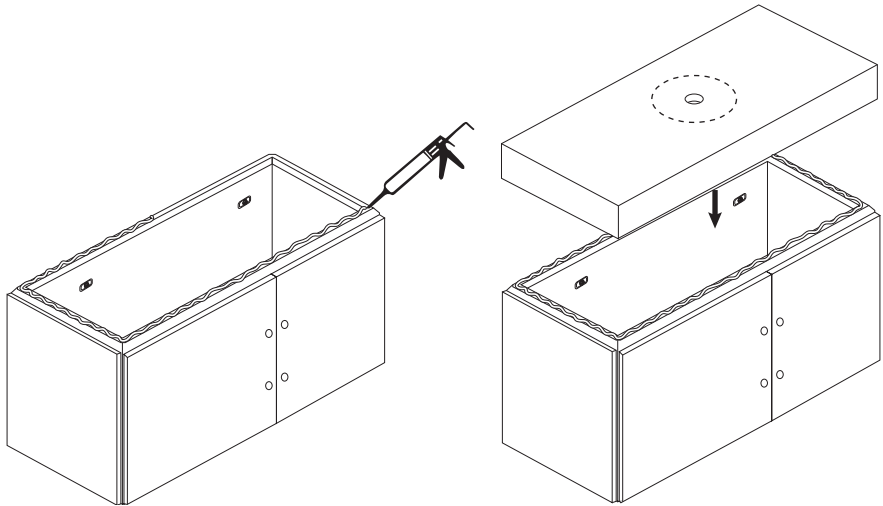
## Step 3:

- Place your chosen sink over the work top surface and mark the waste hole for the sink (and tap holes if applicable). Using an appropriately sized hole saw, carefully cut out the holes in the work-top .



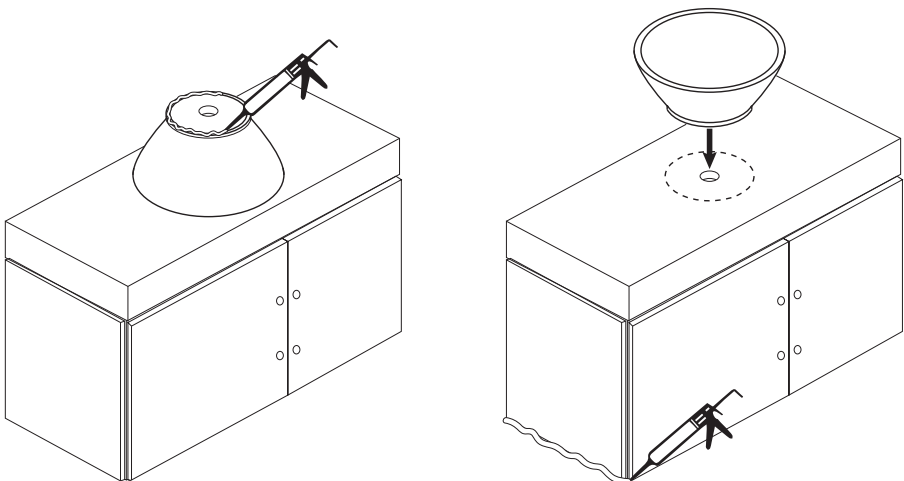
#### Step 4:

- Pipe a Bead of good quality silicone sealant around the top edge of the cabinet and place the work top over the cabinet, wipe away and excess silicone with a damp cloth.



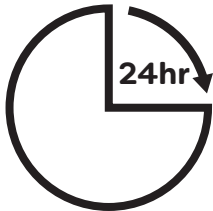
#### Step 5:

- Pipe a fine bead of good quality silicone sealant along the base of the basin. Place the basin onto the unit and wipe away the excess silicone with a damp cloth. Ensure that all the parts level using a spirit level. It is recommended to pipe a bead of silicone around the base of the unit and cut-out areas to prevent water from passing between the unit and the floor.



## Step 5:

Proceed to the installation of the drain trap and water supply lines. Refer to their respective installation instructions for guidance if needed. Allow the sealant to fully dry for 24 hours.



## Cleaning and Maintenance:

### Sink:

We recommend that you regularly clean your sink with a soft cloth and warm soapy water. Rinse and dry after cleaning, this is extremely important for areas with hard water. Refrain from using acidic household cleaners, wipes with harsh chemicals, or abrasives, as these will damage the sink.

### Drawers, Runners and Door Hinges:

These should be wiped out with a damp soapy cloth and wiped dry with a soft cloth as necessary. The roller runners and hinges are lubricated and should not be cleaned with a degreasing agent as this will affect the action of the moving parts. Never lean on partially or fully opened doors and drawers in order to gain access to the units. The hinges are specified to adequately support the weight of the door, plus small additional weights such as wire accessories. It is advised that once the bathroom has been installed you should check every six months that all screws on the hinges are tight.

**Please Note:** Unit is water resistant, but not waterproof. All spillages and splashes should be wiped dry, failure to do so may shorten the life expectancy of the product and invalidate any guarantees.

## Notes: