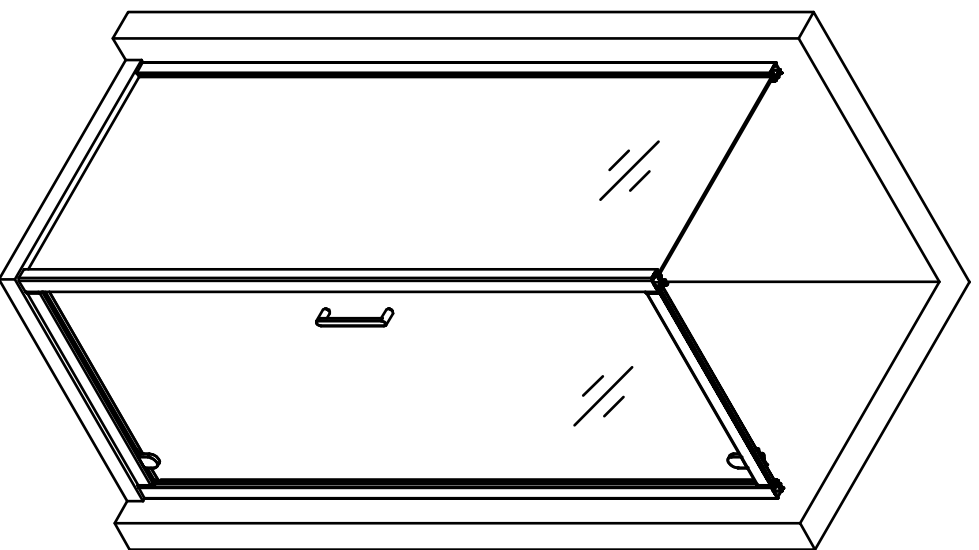
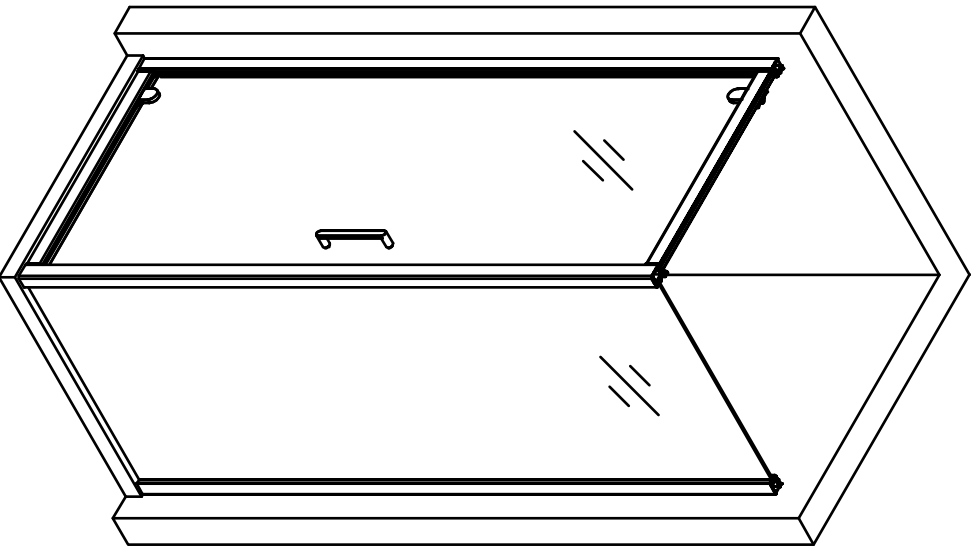
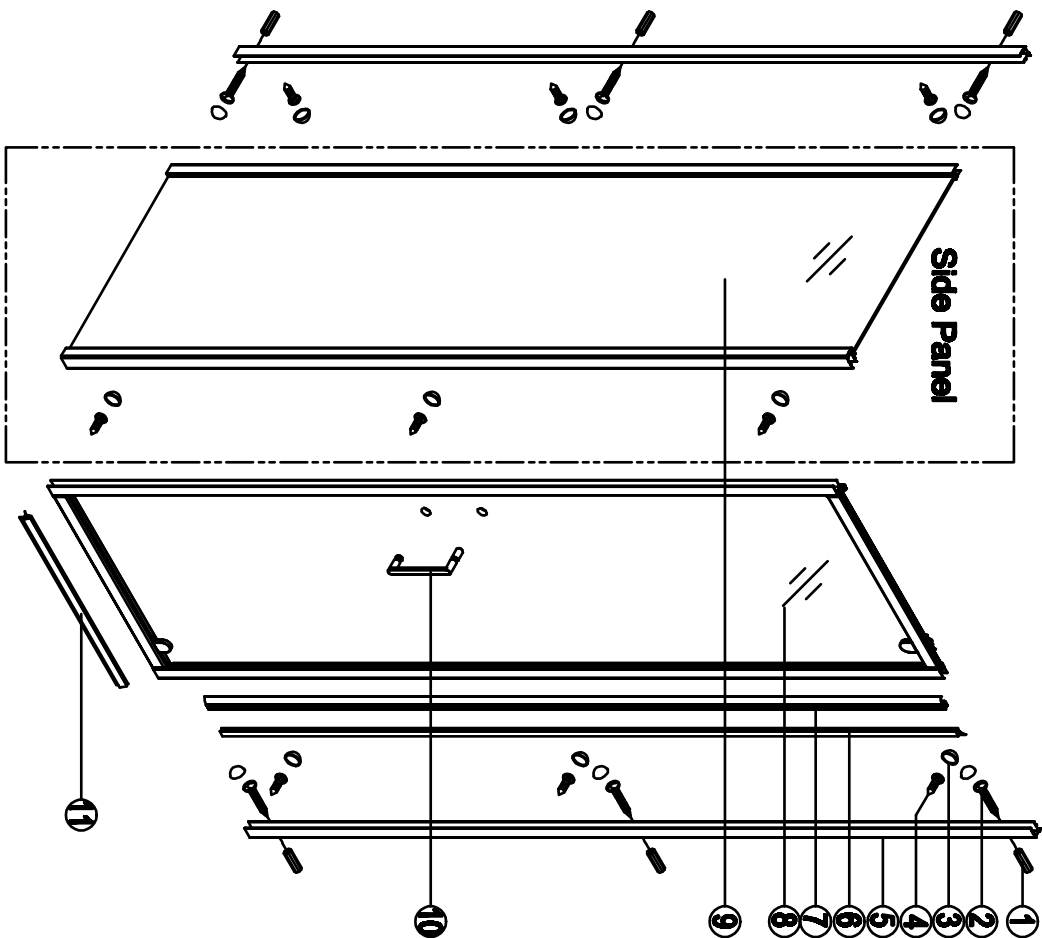
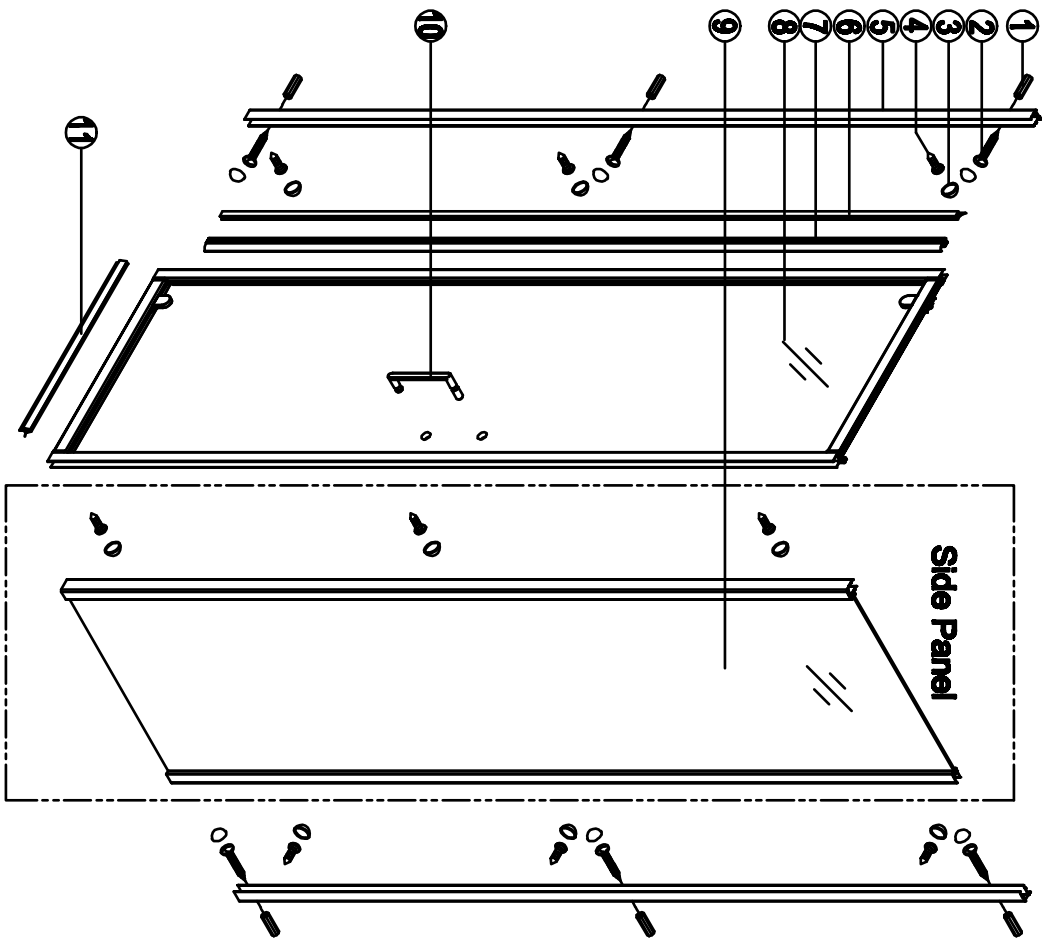
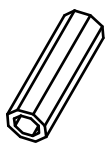



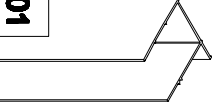

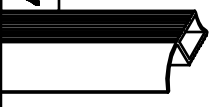
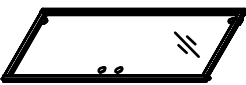
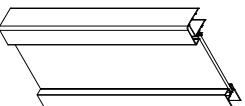

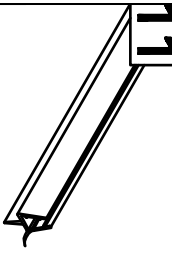

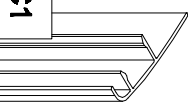
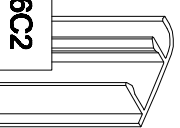
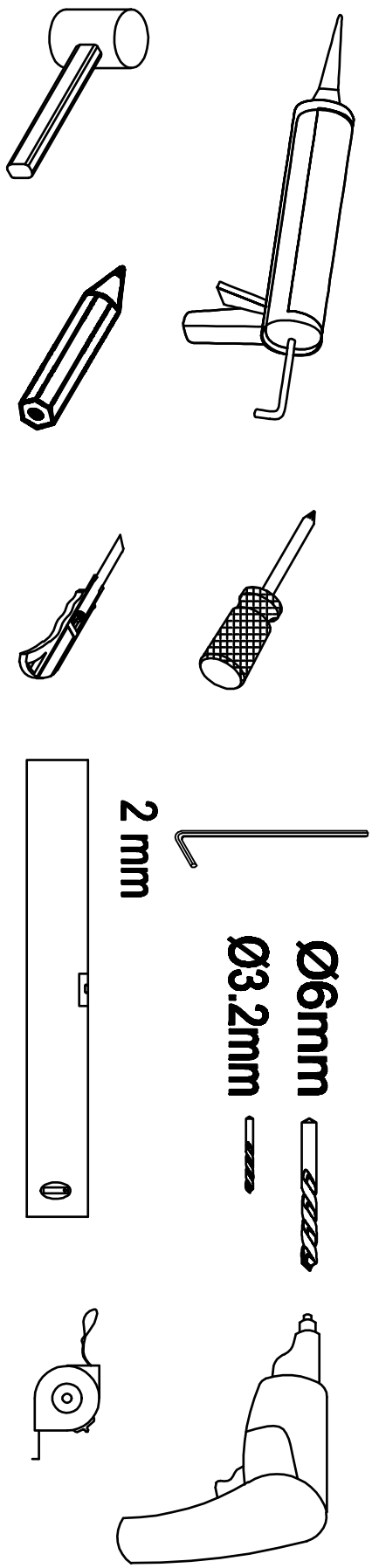


INSTALLATION MANUAL (2)

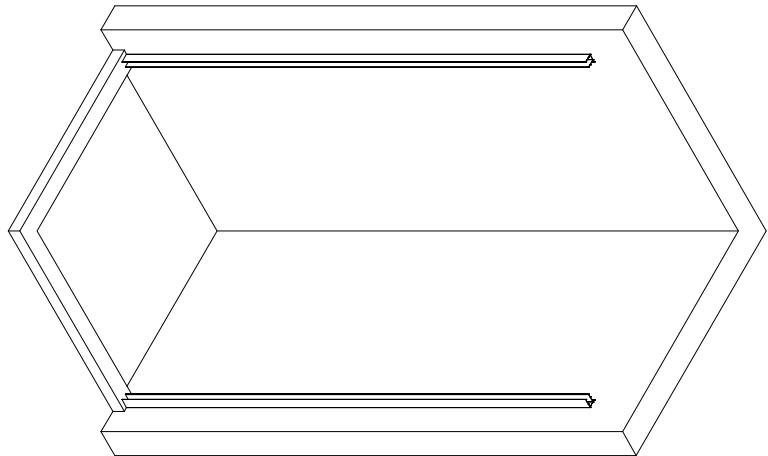
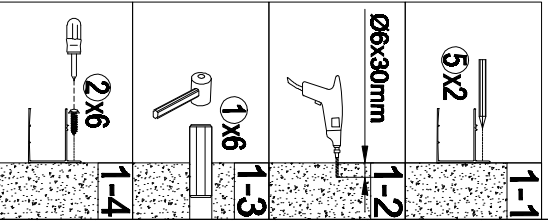
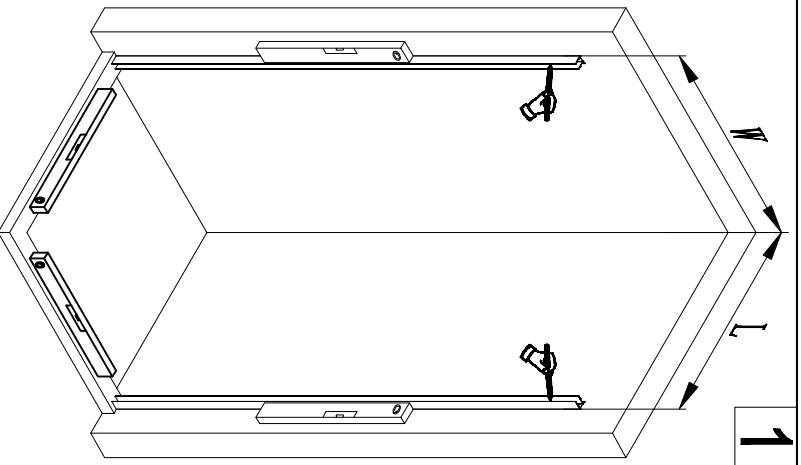
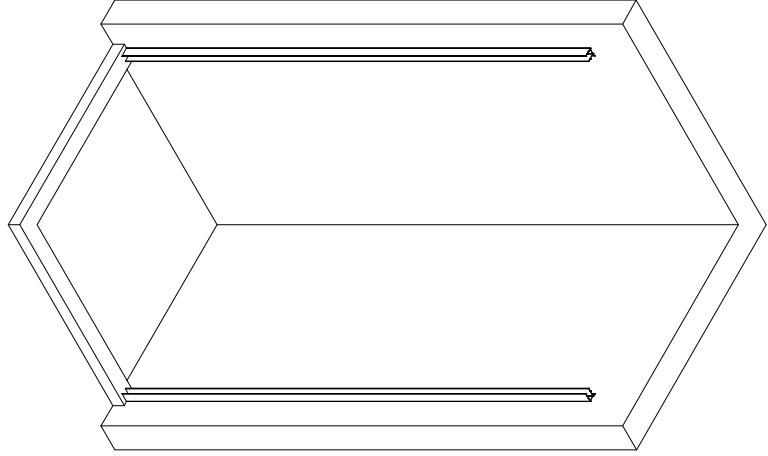
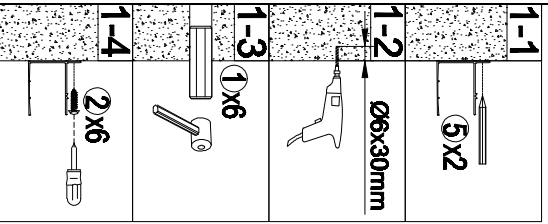
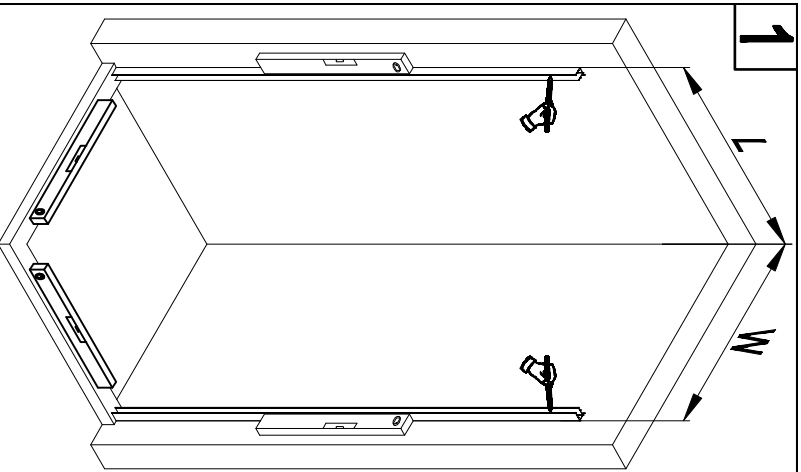
Pivot Door + Side Panel



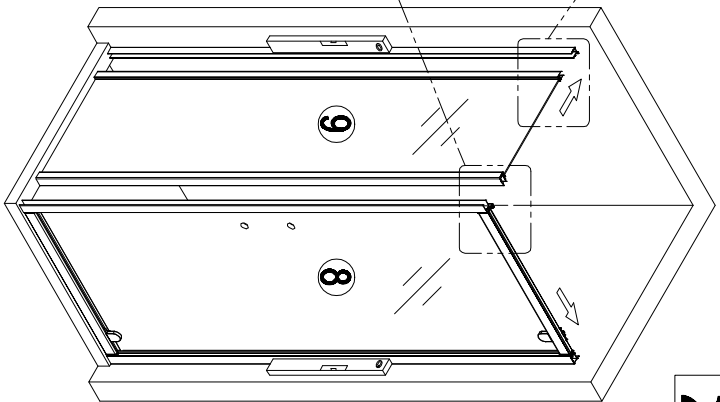
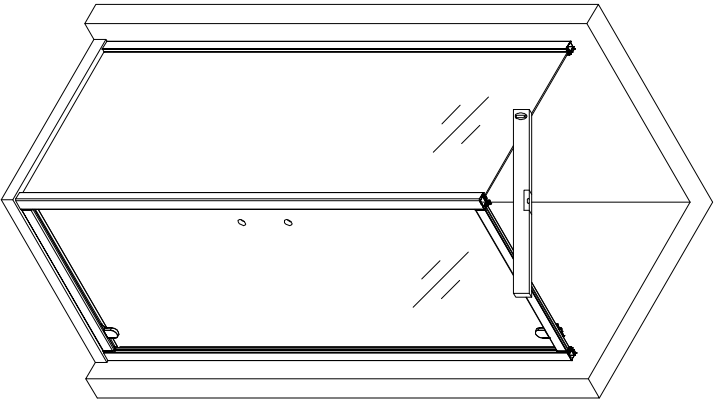
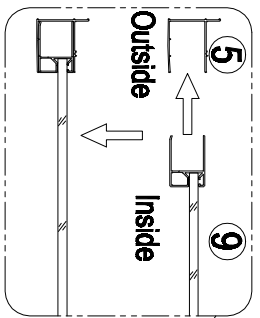
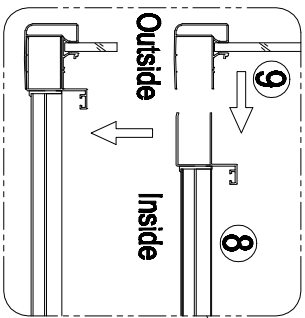
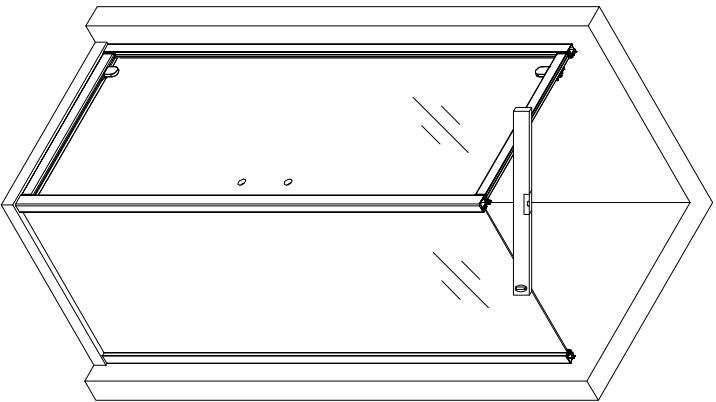
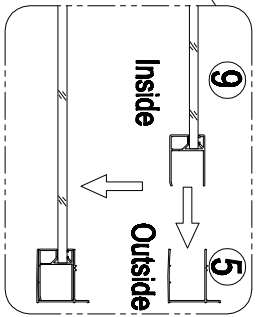
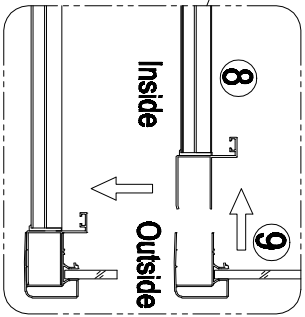
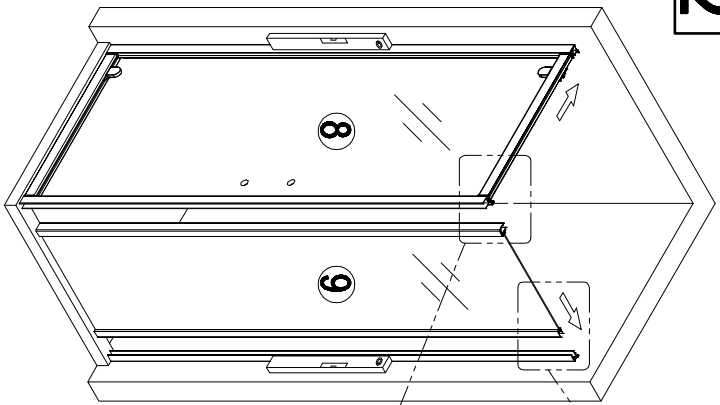


1 	2 	3 	4 	5 
6  1805mm 6Pcs	7  1828mm 6Pcs	8  1Pc	9  1Pc	10  1Pc
11  1Pc	12 Optional parts  9Pcs	13 Optional parts  2Pcs	14 Optional parts  1Pc	Tools: 

	L	W	L	W
700	660-680	700	660-680	700
760	720-740	760	720-740	760
800	760-780	800	760-780	800
900	860-880	900	860-880	900
1000	960-980	1000	960-980	1000

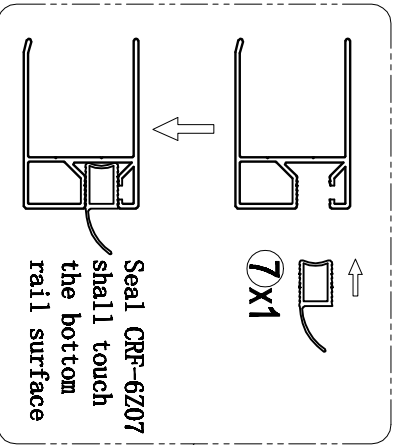


2

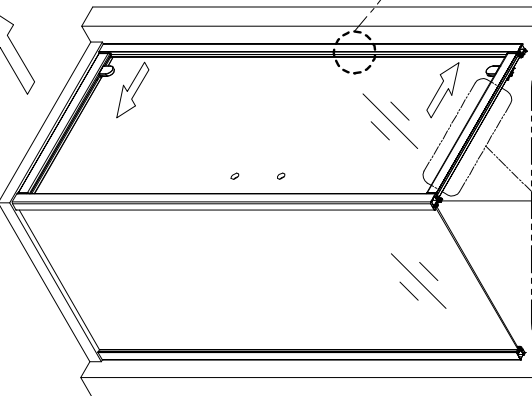


2

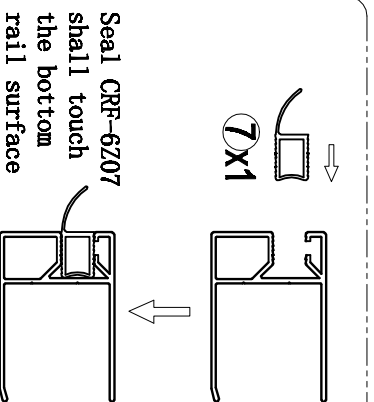
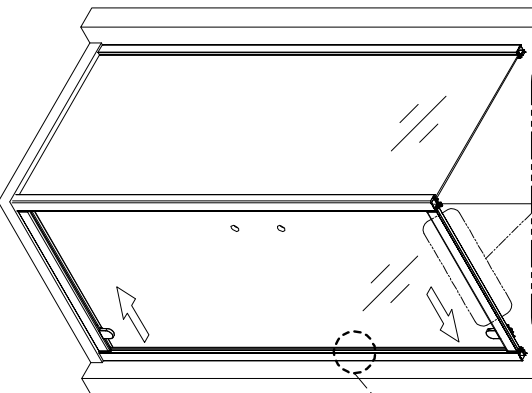
3-2 Without concealed profile



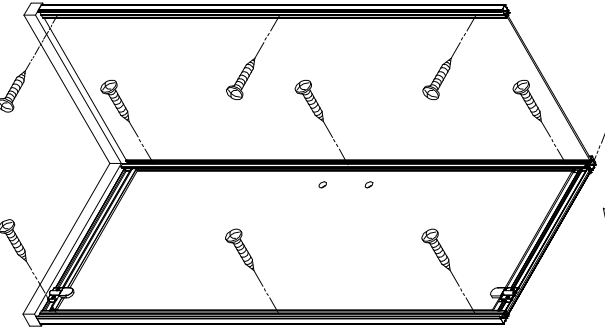
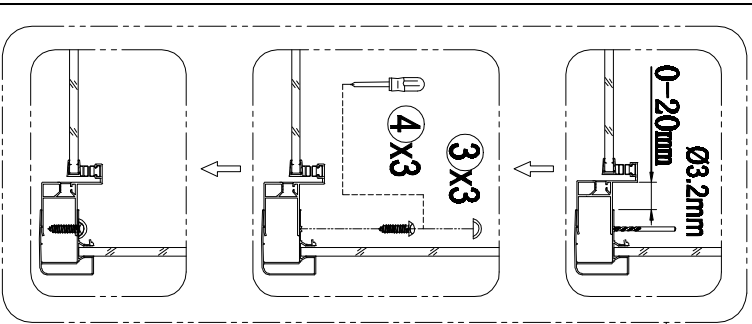
IT IS VERY IMPORTANT TO HAVE THE TOP OF THE GLASS PARALLEL TO THE RAIL BOTTOM FACE, IT MUST HAVE A 10MM EVEN GAP ALL THE WAY ALONG.



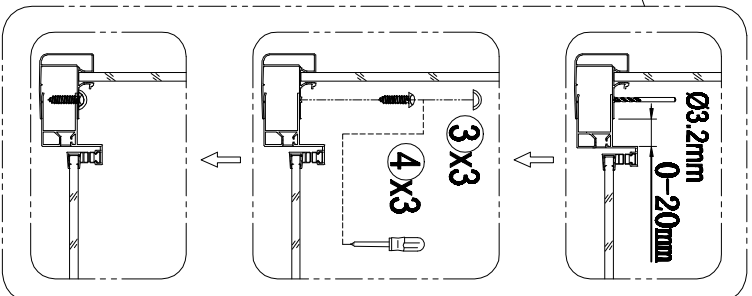
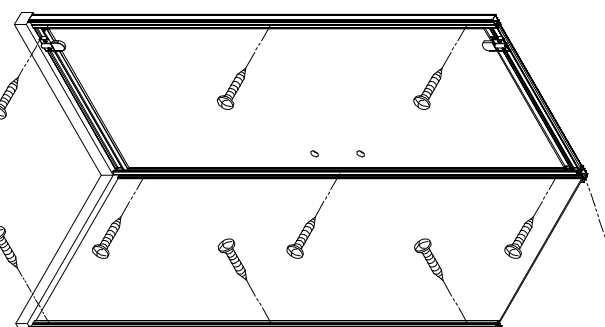
IT IS VERY IMPORTANT TO HAVE THE TOP OF THE GLASS PARALLEL TO THE RAIL BOTTOM FACE, IT MUST HAVE A 10MM EVEN GAP ALL THE WAY ALONG.



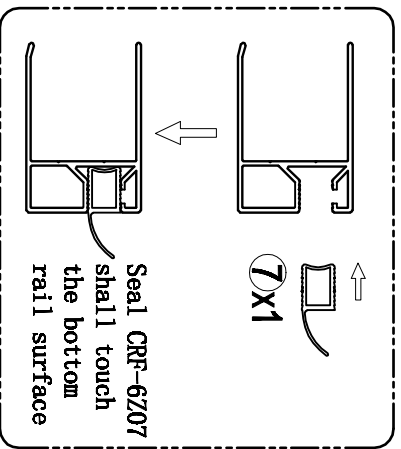
Without concealed profile 3-2



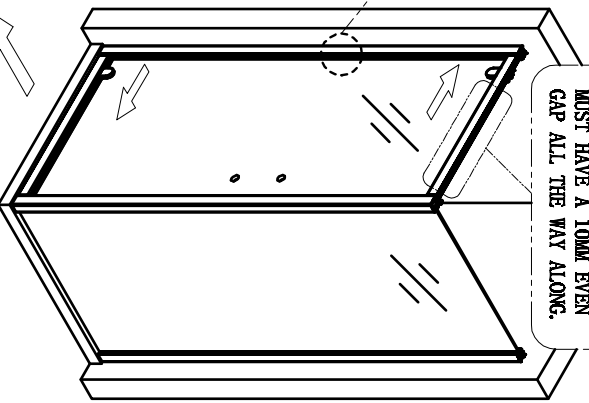
3-1	Ø3.2mm 0-20mm	3-1	Ø3.2mm 0-20mm
3-2	4x6	3-2	4x6
3-3	3x12	3-3	3x12
3-4		3-4	



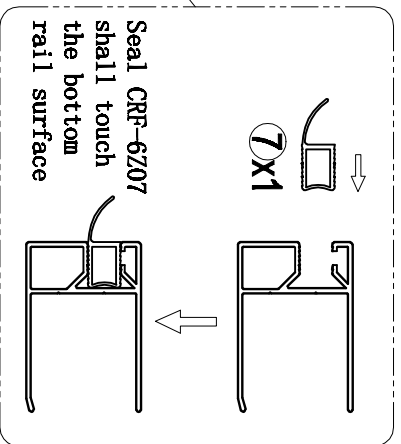
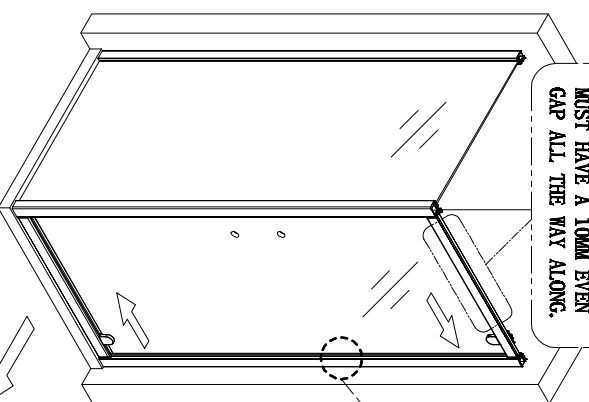
3-b With concealed profile



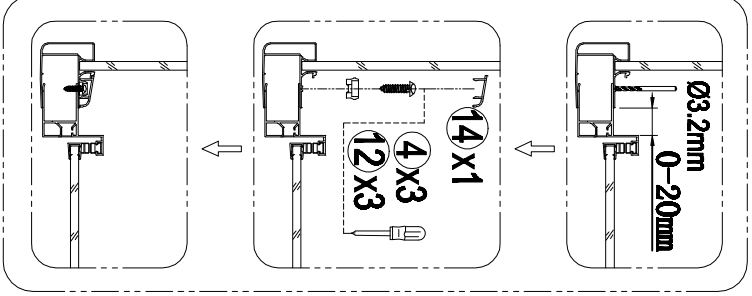
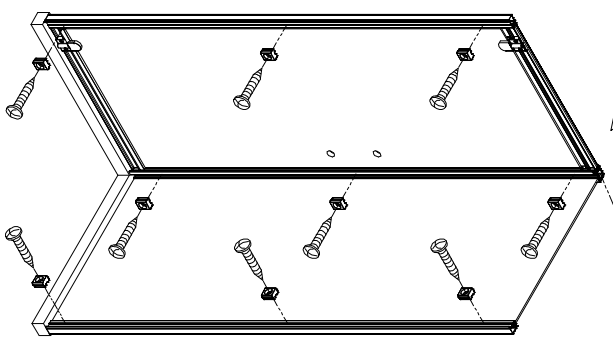
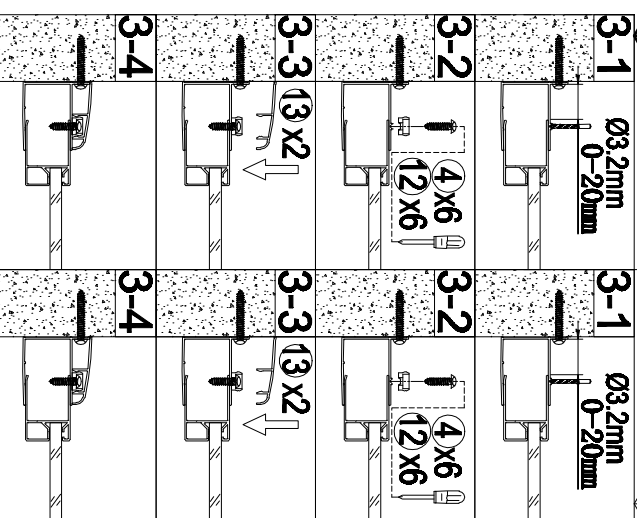
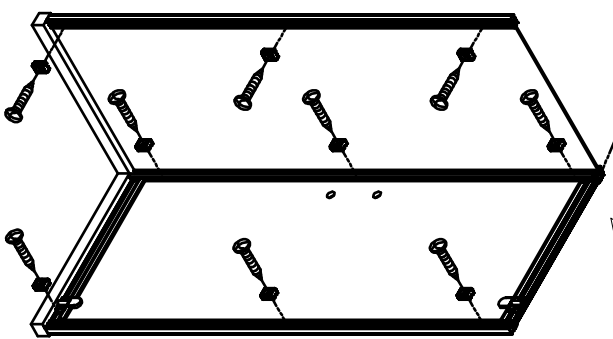
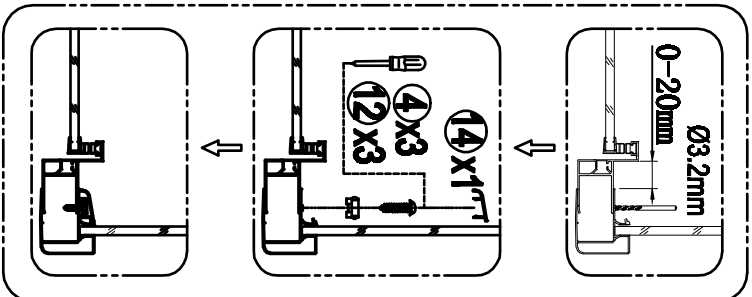
IT IS VERY IMPORTANT TO HAVE THE TOP OF THE RAIL BOTTOM FACE, IT MUST HAVE A 10MM EVEN GAP ALL THE WAY ALONG.

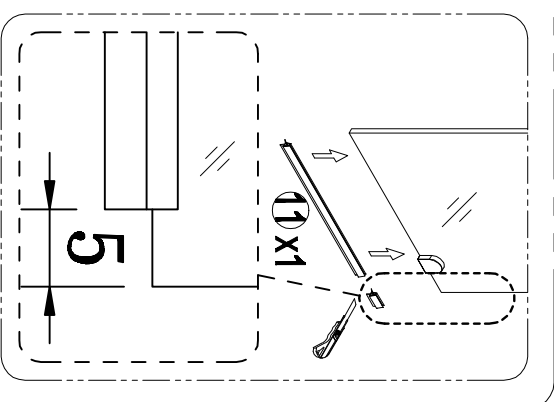
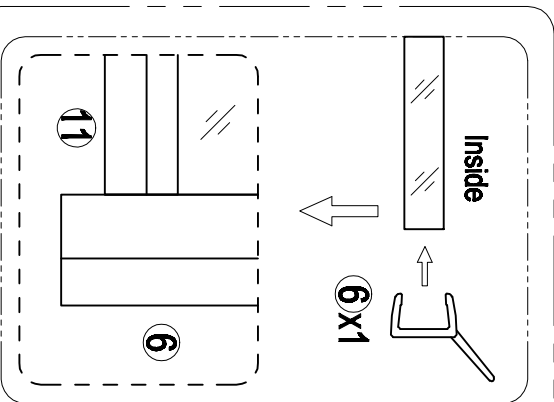
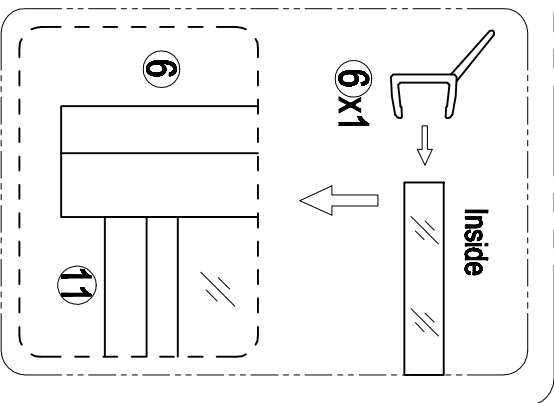
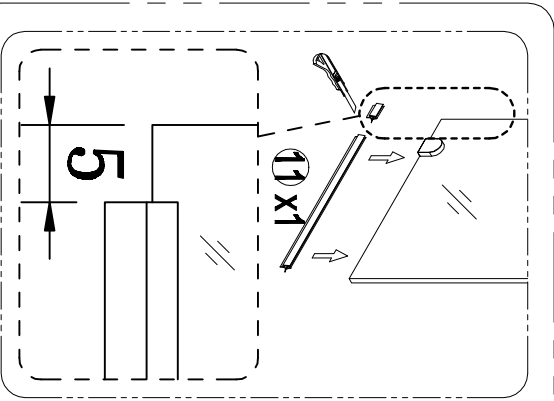
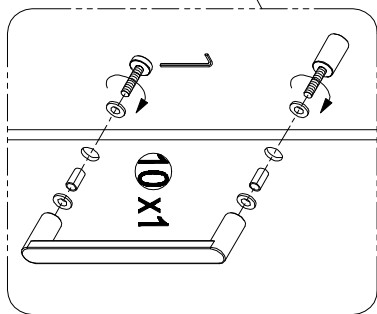
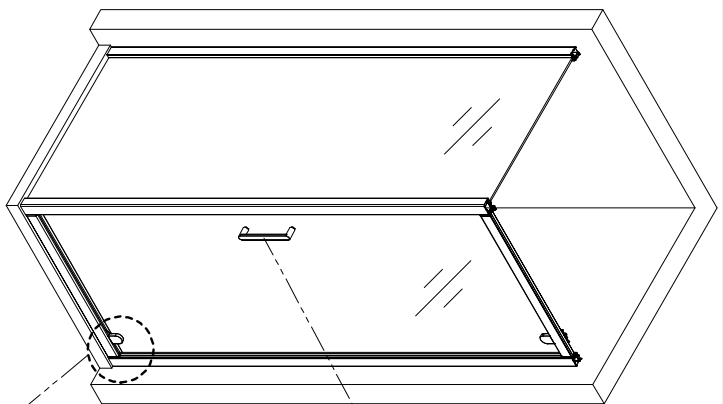
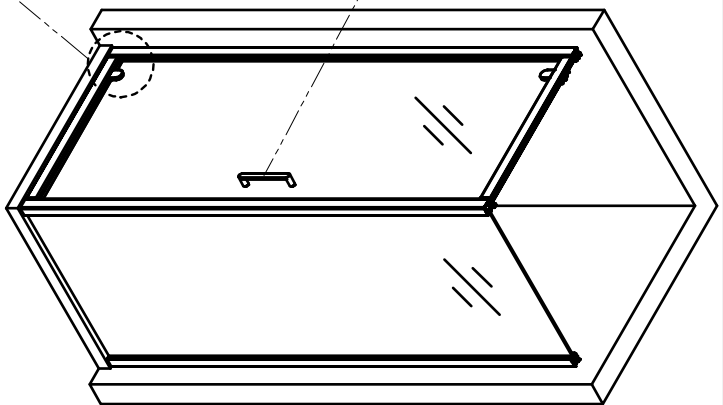
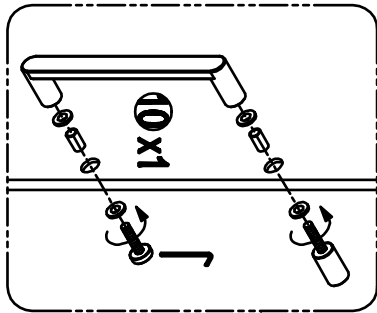


IT IS VERY IMPORTANT TO HAVE THE TOP OF THE RAIL BOTTOM FACE, IT MUST HAVE A 10MM EVEN GAP ALL THE WAY ALONG.

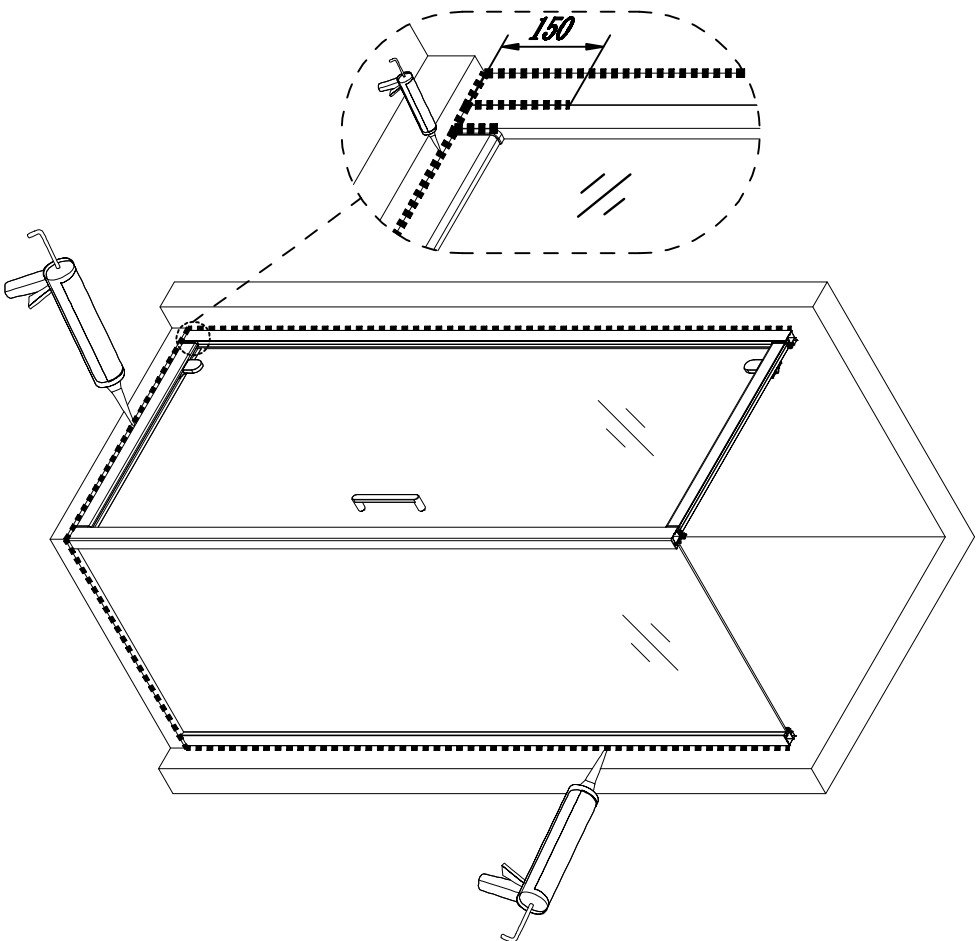


With concealed profile 3-b





Care Instructions:
Do not use your shower enclosure within 24 hours of assembly.
Do not use caustic cleaning products or abrasive material when cleaning your shower enclosure.



Care Instructions:
Do not use your shower enclosure within 24 hours of assembly.
Do not use caustic cleaning products or abrasive material when cleaning your shower enclosure.

