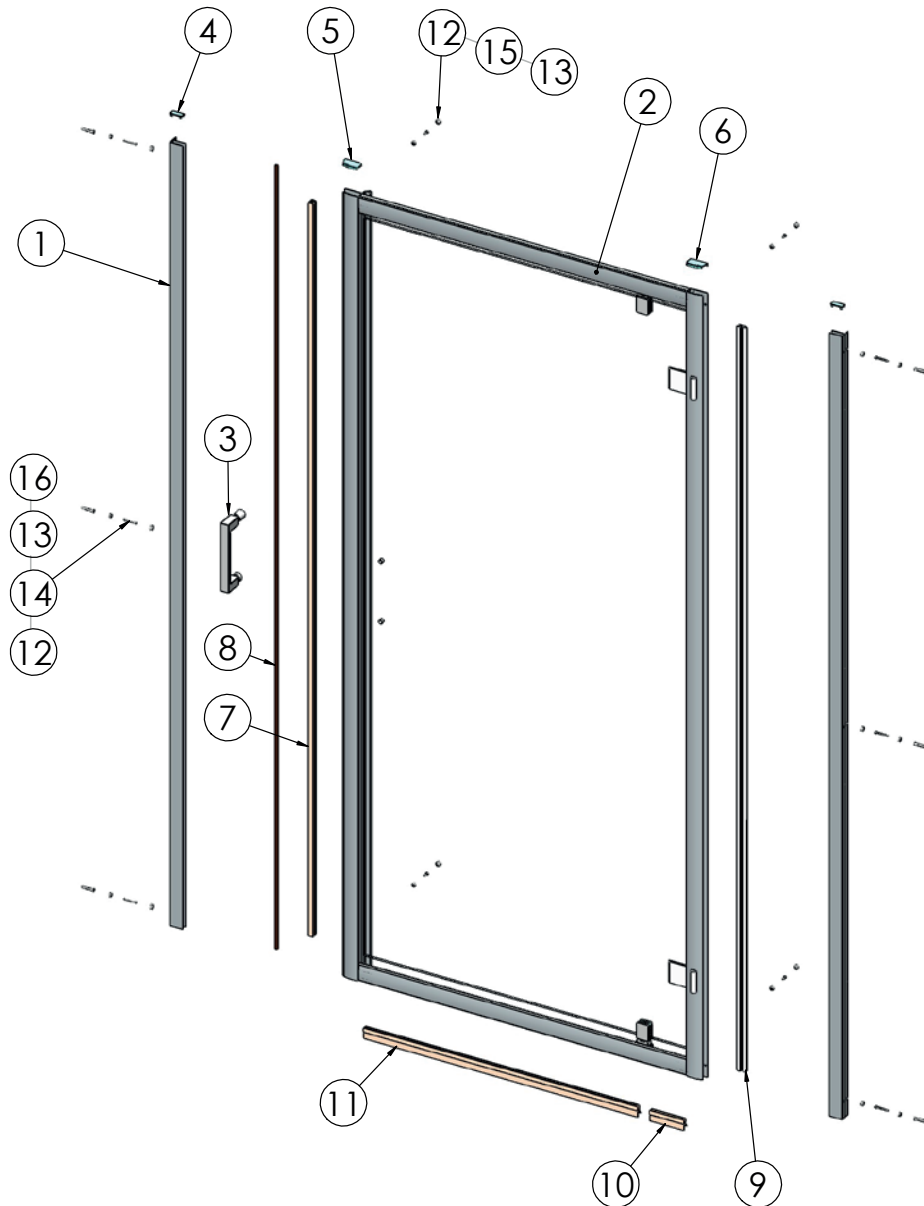


PIVOT DOOR EASY FIT ENCLOSURE INSTRUCTION



UNPACK THE BOX AND ENSURE ALL COMPONENTS ARE PRESENT.

NO REFUNDS OR REFITTING COST WILL BE GIVEN IF INCOMPLETE OR DAMAGED GOODS ARE FITTED.

THE TOUGHENED SAFETY GLASS SHOULD BE HANDLED WITH CARE AS IMPACTS WILL DAMAGE THE GLASS OR ENCLOSURE.

FIT THE SHOWER TRAY AS PER THE MANUFACTURER'S INSTRUCTION.

NOTE: IF THE TRAY ISN'T TRUE AND LEVEL, IT MUST BE RECTIFIED BEFORE SILICONING AROUND THE TOP EDGE OF THE TRAY WHERE IT MEETS THE TILES. ALLOW THE SILICONE TO DRY BEFORE FITTING THE ENCLOSURE.

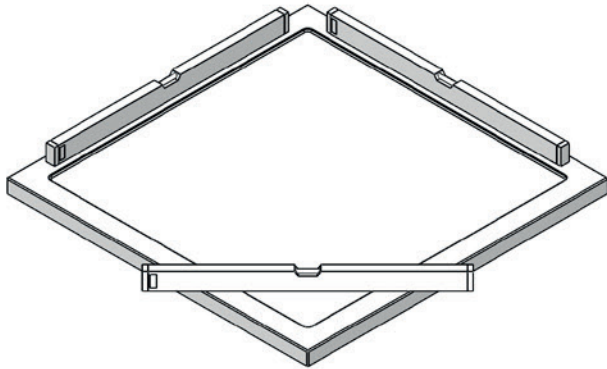
THE ENCLOSURE INSTALLATION IS RECOMMENDED AS A TWO PERSON OPERATION.

TOOLS REQUIRED

POWER DRILL - 3mm DRILL BIT - 6mm MASONARY DRILL BIT - CROSS HEAD SCREW DRIVER - TAPE MEASURE - PENCIL - SILICONE GUN WITH SANITARY GRADE SEALANT - SPIRIT LEVEL - RUBBER HEAD Mallet.

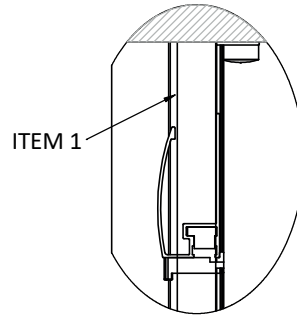
ITEM NO.	DESCRIPTION	Notes	QTY
1	WALL PROFILE		2
2	PIVOT DOOR SUB ASSEMBLY		1
3	HANDLE SUB ASSEMBLY		1
4	WALL PROFILE CAP		2
5	GLASS PROFILE CAP LH		1
6	GLASS PROFILE CAP RH		1
7	DOOR MAGNET	CUT TO LENGTH AS REQUIRED	1
8	PROFILE MEGNET	CUT TO LENGTH AS REQUIRED	1
9	DOOR VERTICAL SEAL	CUT TO LENGTH AS REQUIRED	1
10	HORIZONTAL DOOR SEAL (SHORT)	CUT TO LENGTH AS REQUIRED	1
11	HORIZONTAL DOOR SEAL (LONG)	CUT TO LENGTH AS REQUIRED	1
12	SCREW CUP COVER		10
13	SCREW CUP		10
14	3.9mm x 40mm PAN HD (SMALL HEAD VERSION) SELF TAPPER ST.STL	FOR FIXING TO WALL	6
15	3.9mm x 10mm PAN HD (SMALL HEAD VERSION) SELF TAPPER ST.STL		4
16	WALL PLUG		6

1



ENSURE THE TRAY IS LEVEL IN ALL PLANES.

2



PLEASE NOTE:

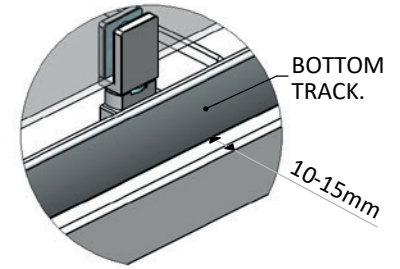
PARTIALLY INSERT THE WALL PROFILES INTO THE ASSEMBLY GLASS PROFILES. DON'T PUSH THEM ALL THE WAY IN AS THIS MAY SCRATCH THE PROFILE.

CHOOSE EITHER A RIGHT OR LEFT HAND OPENING, TURN FRAME OVER TO SUIT.

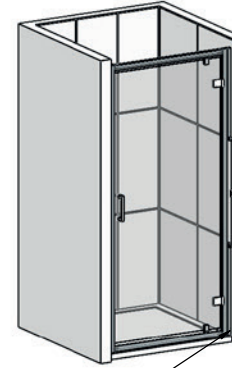
IF INSTALLING WITH A SIDE PANEL PLEASE REFER TO THE SIDE PANEL INSTRUCTION WITHIN THE SIDE PANEL BOX.

IMPORTANT

OFFER THE FRAME ONTO THE TRAY FIRST. SET THE FRONT FACE OF THE BOTTOM TRACK BACK FROM THE FRONT FACE OF THE TRAY. MAKE SURE THE WALL PROFILES REACH THE WALL. IF THEY DON'T, CHECK THE OPENING IS COMPLIANT WITH THE ADJUSTMENTS LISTED ON THE BOX. ONCE ADJUSTED, MARK THE WALL PROFILE POSITION WITH A PENCIL AND REMOVE THE FRAME.



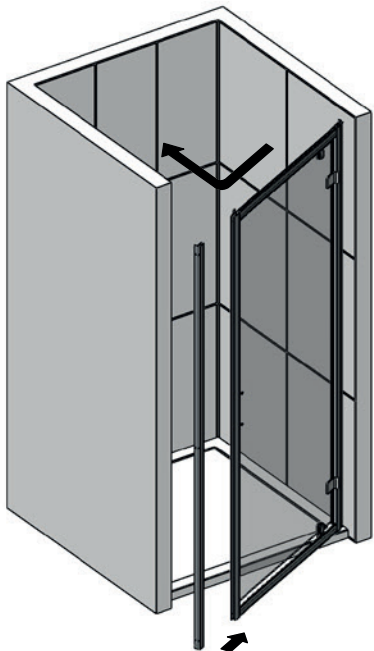
10-15mm IS A GUIDE FOR WHEN FITTING WITH A SIDE PANEL.



MARK POSITION WITH A PENCIL.

REPLACE WALL PROFILES WHERE MARKED AND MARK THROUGH THE FIXING HOLES. DRILL AND PLUG THE WALLS WITH ITEM 16. **WALL PLUGS SUPPLIED MAY NOT BE SUITABLE FOR YOUR SUBSTRATE, USE SUITABLE FIXINGS.** REFIT ONE WALL PROFILE IN PLACE USING ITEMS 12, 13 & 14.

3



FIT HANDLE AND OPPOSITE WALL PROFILE TO THE END OF THE PIVOT DOOR ASSEMBLY. SLIDE THE ASSEMBLY INTO THE WALL PROFILE, AT A SLIGHT ANGLE. (AS SHOWN).

SWING THE ENCLOSURE INTO THE ALCOVE MAKING SURE THE BOTTOM TRACK IS PARALLEL WITH THE FRONT EDGE OF THE TRAY. SLIDE THE OPPOSITE WALL PROFILE OUT TO MEET THE WALL AND ALIGN WITH WALL PLUGS FROM STEP 2.

FIX THE WALL PROFILE IN PLACE USING ITEMS 12, 13 & 14.

IMPORTANT:

ENSURE A SPIRIT LEVEL IS USED ON THE EDGE OF THE ASSEMBLY PROFILES TO CHECK THEY'RE SQUARE AND TRUE.

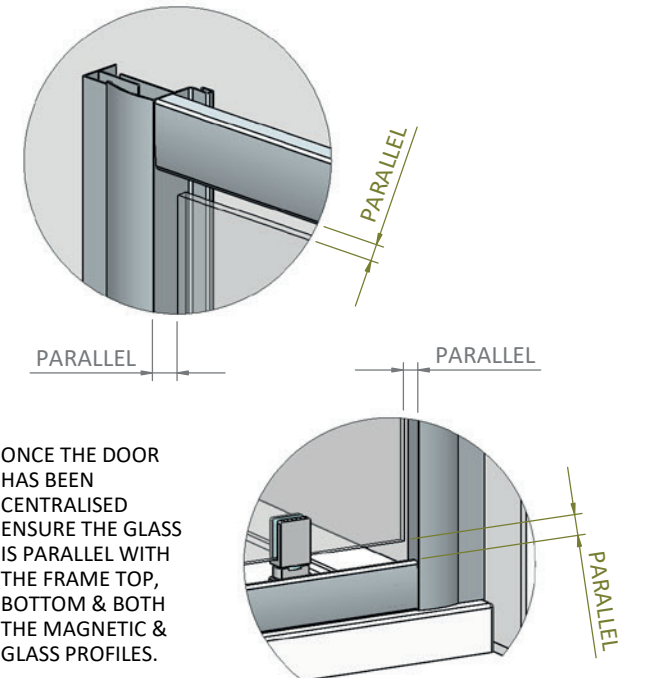
4



CENTRALISE THE DOOR WITHIN THE WALL PROFILES UNTIL THERE IS AN EQUAL AMOUNT OF FRAME IN EACH WALL PROFILE. ENSURE THE DOOR FRAME IS TRUE AND SQUARE ON BOTH SIDES BEFORE FIXING IN PLACE.

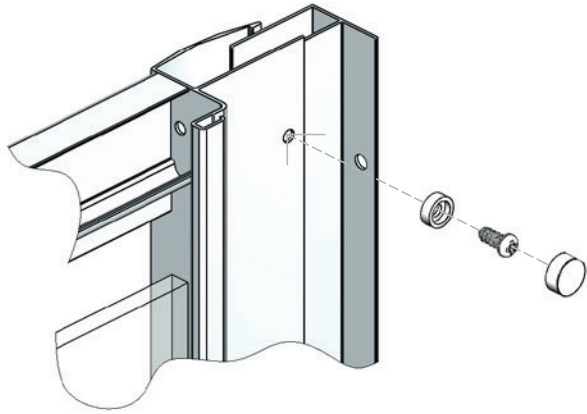
USE A SPIRIT LEVEL.

5



ONCE THE DOOR HAS BEEN CENTRALISED ENSURE THE GLASS IS PARALLEL WITH THE FRAME TOP, BOTTOM & BOTH THE MAGNETIC & GLASS PROFILES.

6



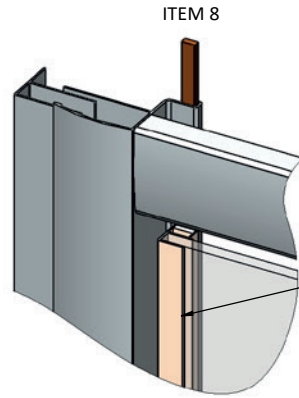
WHEN THE FRAME IS READY TO BE FIXED, DRILL THROUGH THE PRE-DRILLED HOLES IN THE MAGNETIC PROFILE AND GLASS PROFILE WITH A 3mm DRILL BIT.

(MAKE SURE YOU ONLY DRILL THROUGH ONE WALL THICKNESS).

THEN FIX THE FRAME IN PLACE USING ITEMS 12, 13 & 15.

DO NOT OVER TIGHTEN SCREWS.

7



SEAL STEP 1

SLIDE ITEM 8 INTO THE MAGNETIC PROFILE. CHECK POLARITY ATTRACTS THE DOOR BEFORE INSERTING. FIT THE DOOR MAGNET (ITEM 7) TO THE END OF THE GLASS.

DOOR MAGNET TO BE LEVEL WITH THE TOP OF THE DOOR AND CUT TO LENGTH PRIOR TO FITTING. CUT TO 1730mm.

ONCE FITTED CHECK THE OPERATION OF THE DOOR. WHEN CLOSED THE MAGNET SHOULD BE ATTRACTED ALONG IT'S FULL LENGTH. **IF NOT**, SLACKEN THE WALL PROFILE FIXINGS AND SLIGHTLY ADJUST THEM UNTIL IT DOES. (RETIGHTEN ALL SCREWS).

SEAL STEP 2

FIT THE DOOR BOTTOM SEALS (ITEMS 10 & 11). THEY SHOULD BUTT UP TO THE HINGE WITH THE DEFLECTION BLADE TO THE INSIDE OF THE ENCLOSURE.

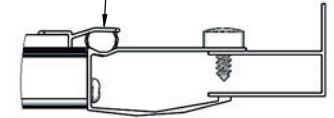
CUT TO LENGTH BEFORE FITTING AS FOLLOWS:

SHORT SEAL - 81mm.
LONG SEAL - 700 = 447mm, 760 = 507mm,
800 = 547mm & 900 = 647mm.

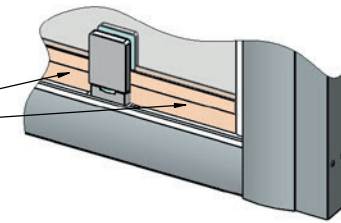
SEAL STEP 3

FIT THE 'P' SHAPED VERTICAL SEAL ITEM 9 TO THE BACK EDGE OF THE GLASS. IT SHOULD BE LEVEL WITH THE TOP OF THE DOOR.

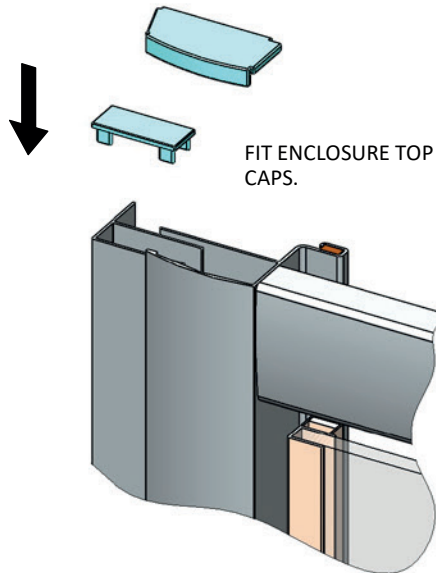
CUT SEAL TO 1756mm BEFORE FITTING.



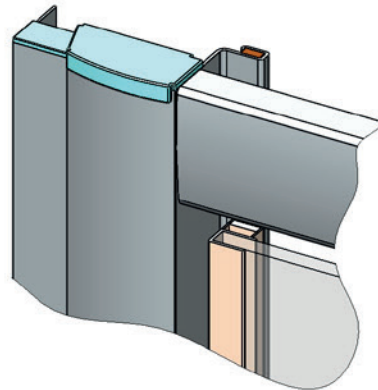
VIEWED FROM TOP OF ENCLOSURE.

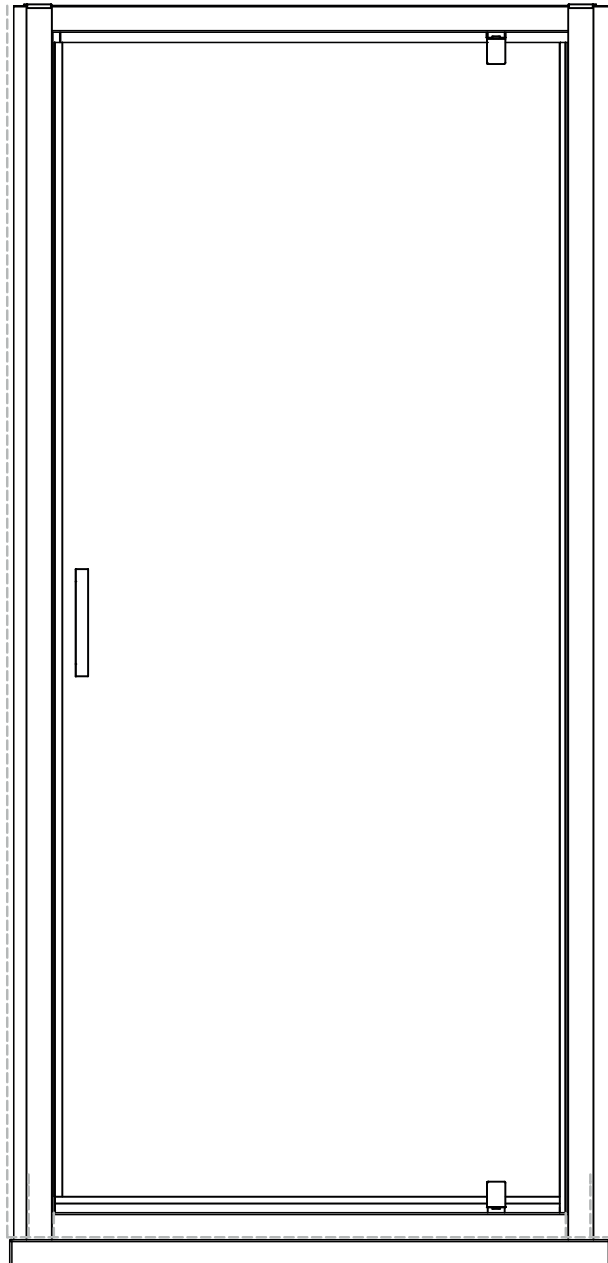


8



FIT ENCLOSURE TOP CAPS.





EXTERNALLY SILICONE SEAL THE WALL PROFILES WHERE THEY MEET THE WALL AND THE BOTTOM PROFILE WHERE IT MEETS THE TRAY. ALL IN A CONTINUOUS BEAD.

ALSO SILICONE SEAL WHERE THE TOP & BOTTOM TRACKS MEET THE MAGNETIC AND GLASS VERTICAL PROFILES. AS SHOWN IN THE DETAILED VIEW BELOW.

DO NOT SILICONE INSIDE THE ENCLOSURE.

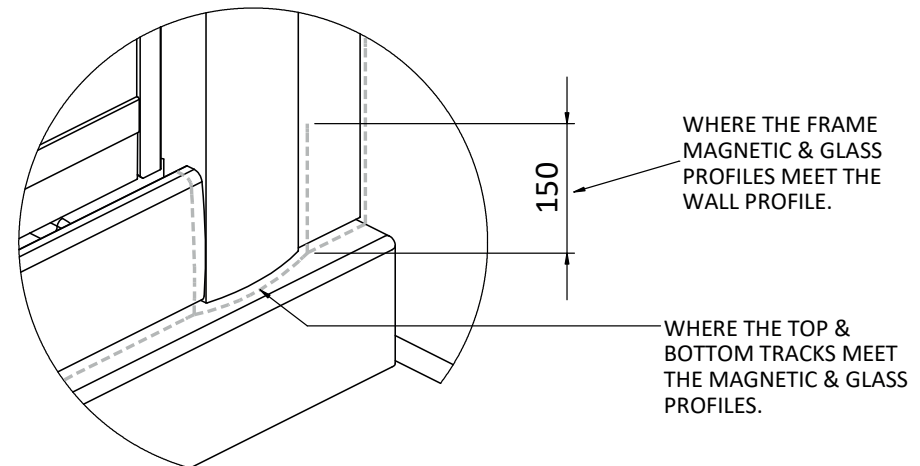
ALLOW THE SILICONE AT LEAST 24 HOURS TO FULLY CURE.

AFTERCARE - ENSURE YOU CLEAN YOUR PRODUCT USING A MILD DETERGENT DILUTED IN WATER, REMOVING ANY RESIDUE WITH A SOFT DAMP CLOTH.

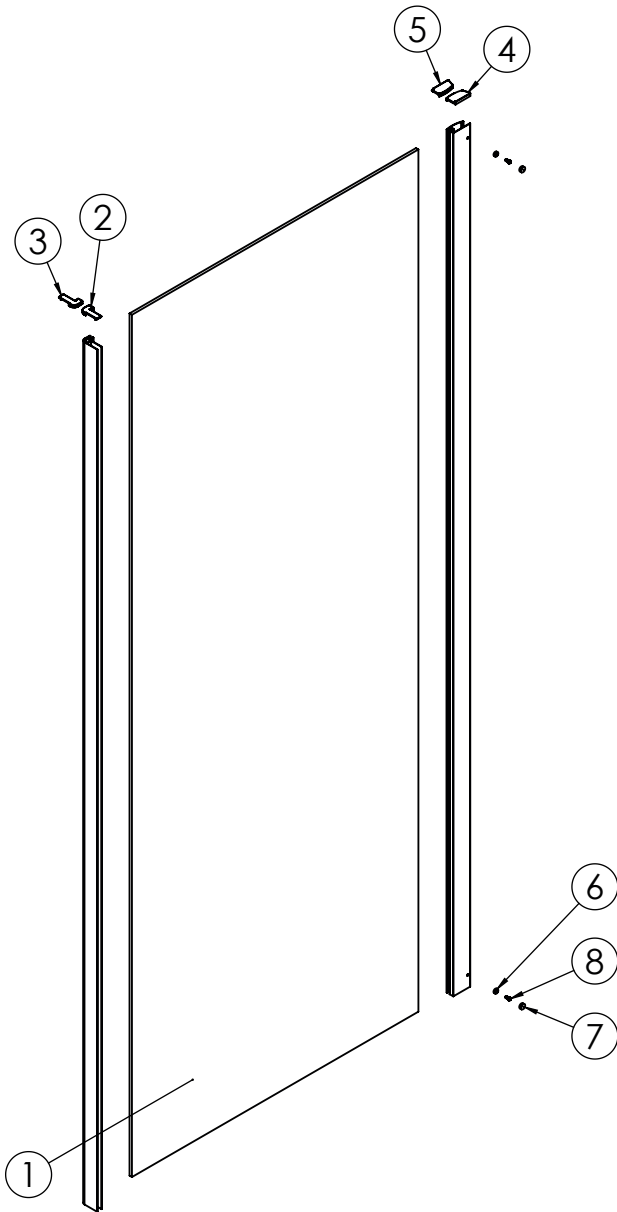
MAINTENANCE - ENSURE MOVING PARTS ARE FREE FROM ANY DEBRIS OR SOAP BUILD UP.

TROUBLE SHOOTING GUIDE

1. IS THE TRAY LEVEL? (SEE STEP 1).
2. HAVE YOU COMPLETED STEP 2 CORRECTLY?
3. ARE THE WALL PROFILES PLUMB VERTICALLY AND LEVEL WITH EACH OTHER? (SEE STEPS 2 & 4). IF THE WALL PROFILES ARE NOT LEVEL WITH EACH OTHER THE DOOR WILL NOT SHUT AS IT SHOULD. THE MAGNET WILL NOT ATTRACT ALONG IT'S FULL LENGTH AS IT ISN'T PARALLEL TO THE FRAME.
4. IS THE FRAME SQUARE AND IS THE DOOR PARALLEL ALL ROUND WITHIN IT'S FRAME? (SEE STEP 5).
5. DOES THE DOOR MAGNET ATTRACT ALONG ITS ENTIRE LENGTH? (SEE STEP 7).
6. DO THE FINISHED TRAY MEASUREMENTS COMPLY WITH THE ADJUSTMENTS LISTED IN THE PRODUCT SPECIFICATION?
7. WHEN CONSIDERING THE LENGTH OF THE TOP TRACK ALSO CONSIDER THE VERTICAL PROFILES THAT ARE SECURED TO IT WHICH INCREASE IT'S LENGTH.
8. ONCE INSTALLED LEAVE THE ENCLOSURE DOOR IN THE CLOSED POSITION WHEN NOT IN USE AS MAGNET STRENGTH WILL INCREASE OVER THE FIRST WEEK.



SIDE PANEL INSTRUCTION



WE RECOMMEND THAT THE INSTALLATION OF THIS PRODUCT IS CARRIED OUT BY A COMPETENT PROFESSIONAL.

UNPACK THE BOX AND ENSURE ALL COMPONENTS ARE PRESENT.

NO REFUNDS OR REFITTING COST WILL BE GIVEN IF INCOMPLETE OR DAMAGED GOODS ARE FITTED.

THE TOUGHENED SAFETY GLASS SHOULD BE HANDLED WITH CARE AS IMPACTS WILL DAMAGE THE GLASS OR ENCLOSURE.

FIT THE SHOWER TRAY AS PER THE MANUFACTURER'S INSTRUCTIONS.

NOTE: IF THE TRAY ISN'T TRUE AND LEVEL, IT MUST BE RECTIFIED BEFORE SILICONING AROUND THE TOP EDGE OF THE TRAY WHERE IT MEETS THE TILES. ALLOW THE SILICONE TO DRY BEFORE FITTING THE ENCLOSURE.

THE ENCLOSURE INSTALLATION IS RECOMMENDED AS A TWO PERSON OPERATION.

TOOLS REQUIRED:

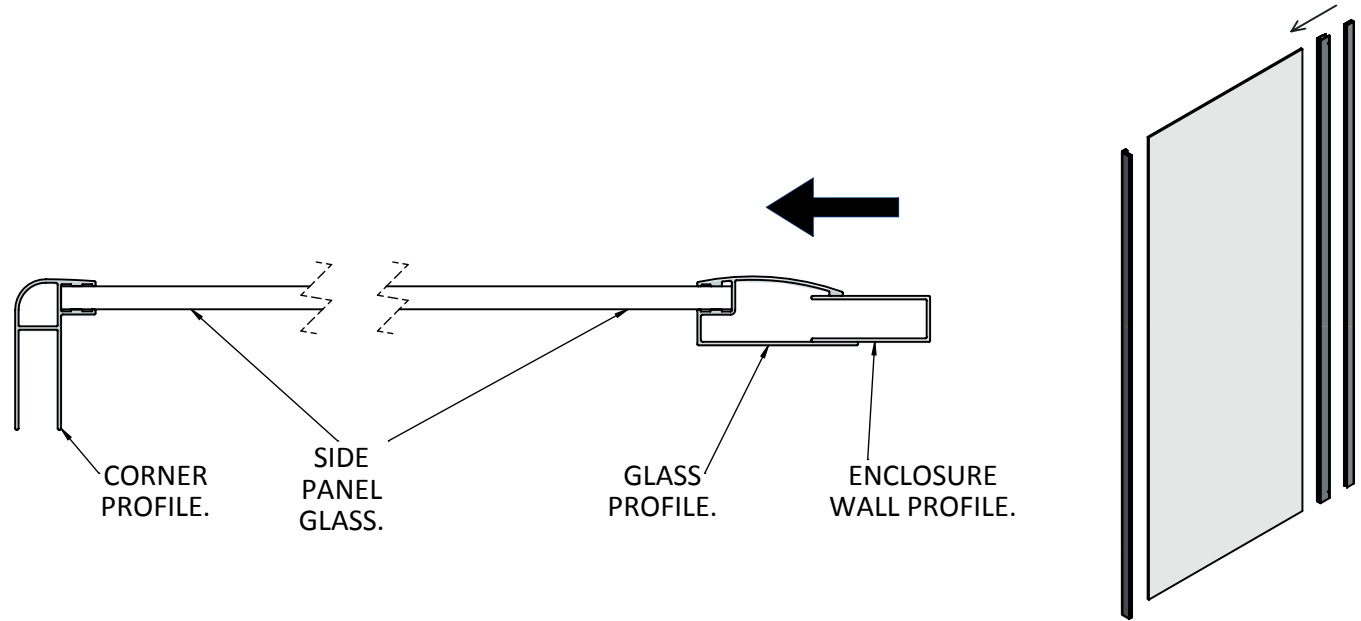
POWER DRILL - 3mm DRILL BIT - 6mm MASONRY DRILL BIT - CROSS HEAD SCREW DRIVER - TAPE MEASURE - PENCIL - SILICONE GUN WITH SANITARY GRADE SEALANT - SPIRIT LEVEL.

ITEM NO.	DESCRIPTION	Notes	QTY
1	SIDE PANEL ASSEMBLY		1
2	CORNER POST CAP LH	CHROME PLATED ABS	1
3	CORNER POST CAP RH	CHROME PLATED ABS	1
4	GLASS PROFILE CAP LH	CHROME PLATED ABS	1
5	GLASS PROFILE CAP RH	CHROME PLATED ABS	1
6	SCREW CUP		2
7	SCREW CUP COVER		2
8	3.9 x 10mm PAN HD SELF TAPPER ST.STL (SMALL HEAD)		2

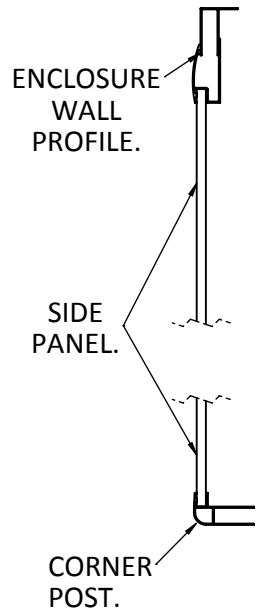
1

DETERMINE THE SIDE YOU WISH TO FIT THE SIDE PANEL AND ROTATE TO SUIT.

USE THE WALL PROFILE FROM ENCLOSURE AND PARTIALLY INSERT INTO THE GLASS PROFILE.

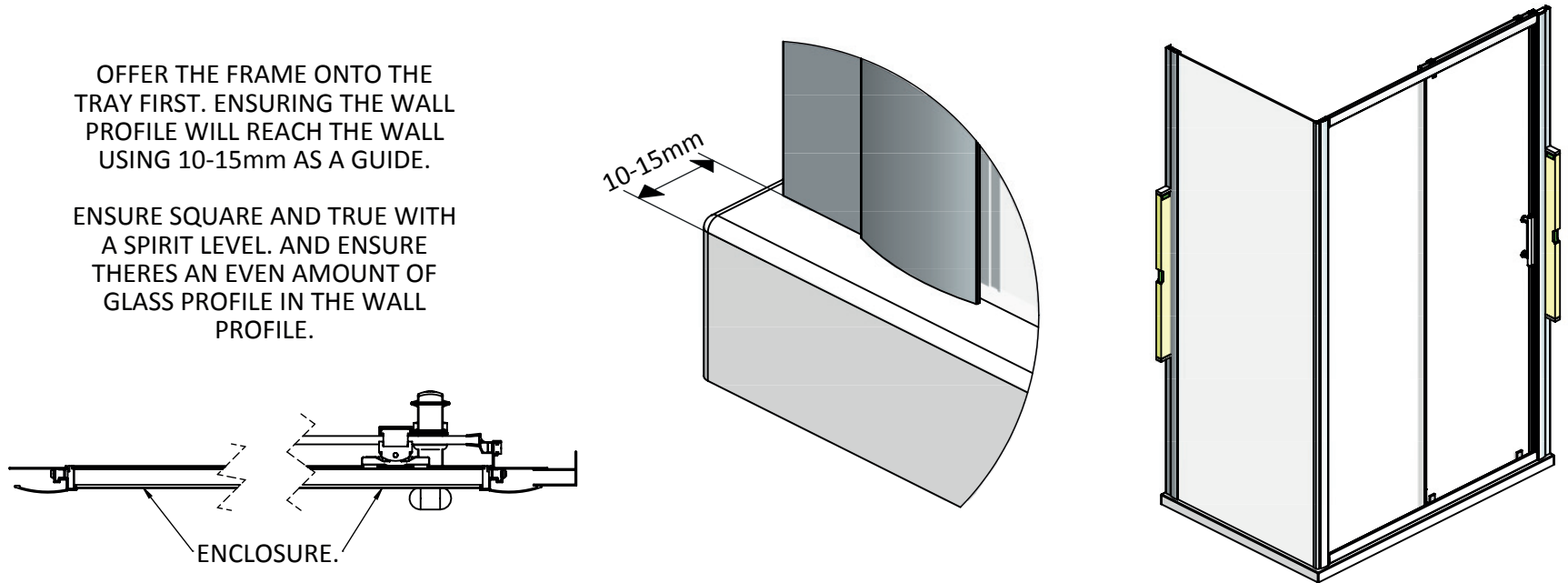


2

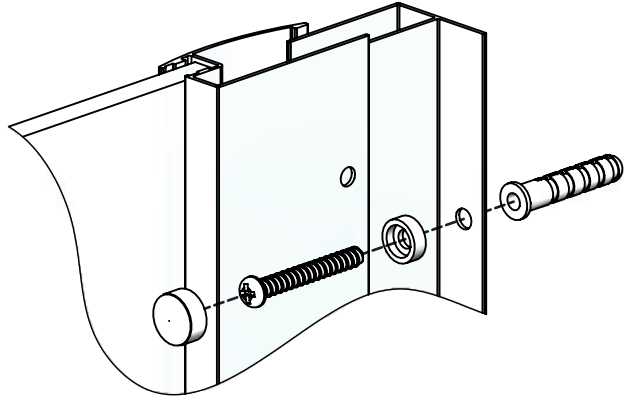


OFFER THE FRAME ONTO THE TRAY FIRST. ENSURING THE WALL PROFILE WILL REACH THE WALL USING 10-15mm AS A GUIDE.

ENSURE SQUARE AND TRUE WITH A SPIRIT LEVEL. AND ENSURE THERES AN EVEN AMOUNT OF GLASS PROFILE IN THE WALL PROFILE.



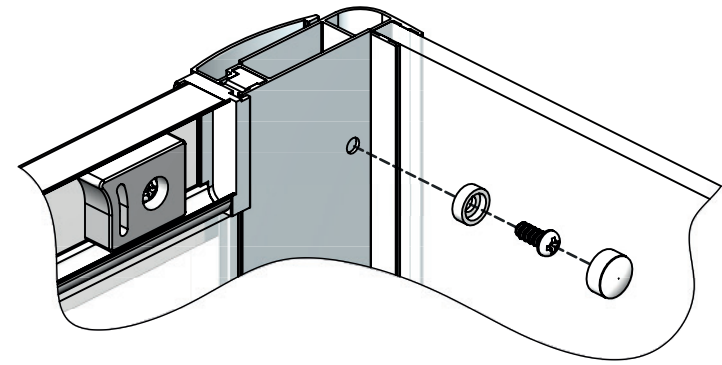
3



ONCE SIDE PANEL IS SQUARE AND TRUE, MARK THE POSITION OF THE SIDE PANEL'S WALL PROFILE ON THE WALL THROUGH THE WALL PROFILE FIXING HOLES USING A PENCIL.

DRILL AND PLUG THE WALL USING THE WALL PROFILE FIXINGS FROM THE ENCLOSURE.

4



ENSURE ALL IS TRUE AND SQUARE WITH A SPIRIT LEVEL BEFORE FIXING.

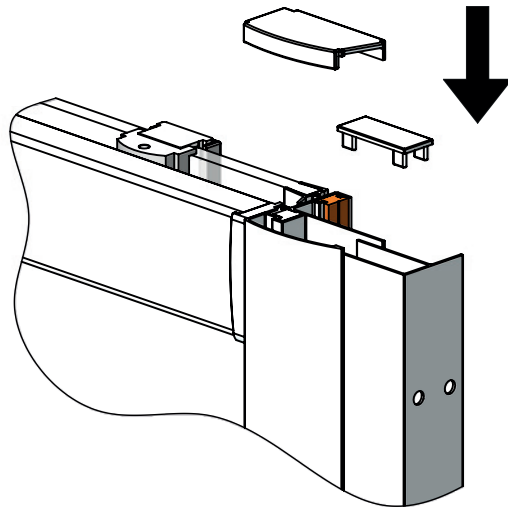
WHEN THE SIDE PANEL IS READY TO BE FIXED, DRILL THROUGH THE HOLES IN THE ENCLOSURE'S GLASS PROFILE AND SIDE PANEL'S GLASS PROFILE WITH A 3mm DRILL BIT.

MAKE SURE YOU ONLY DRILL THROUGH ONE WALL THICKNESS.

FIX IN PLACE USING ITEMS 6, 7 & 8.

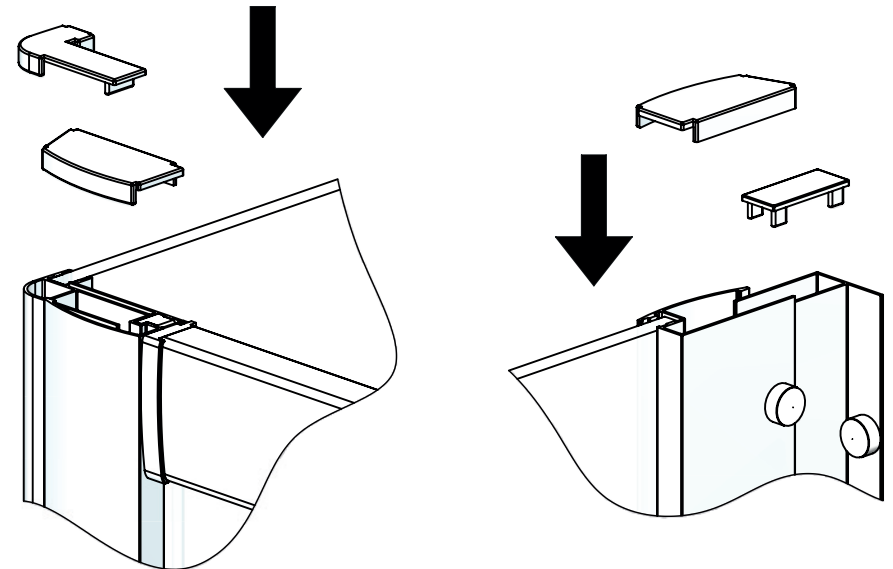
DON'T OVER TIGHTEN SCREWS.

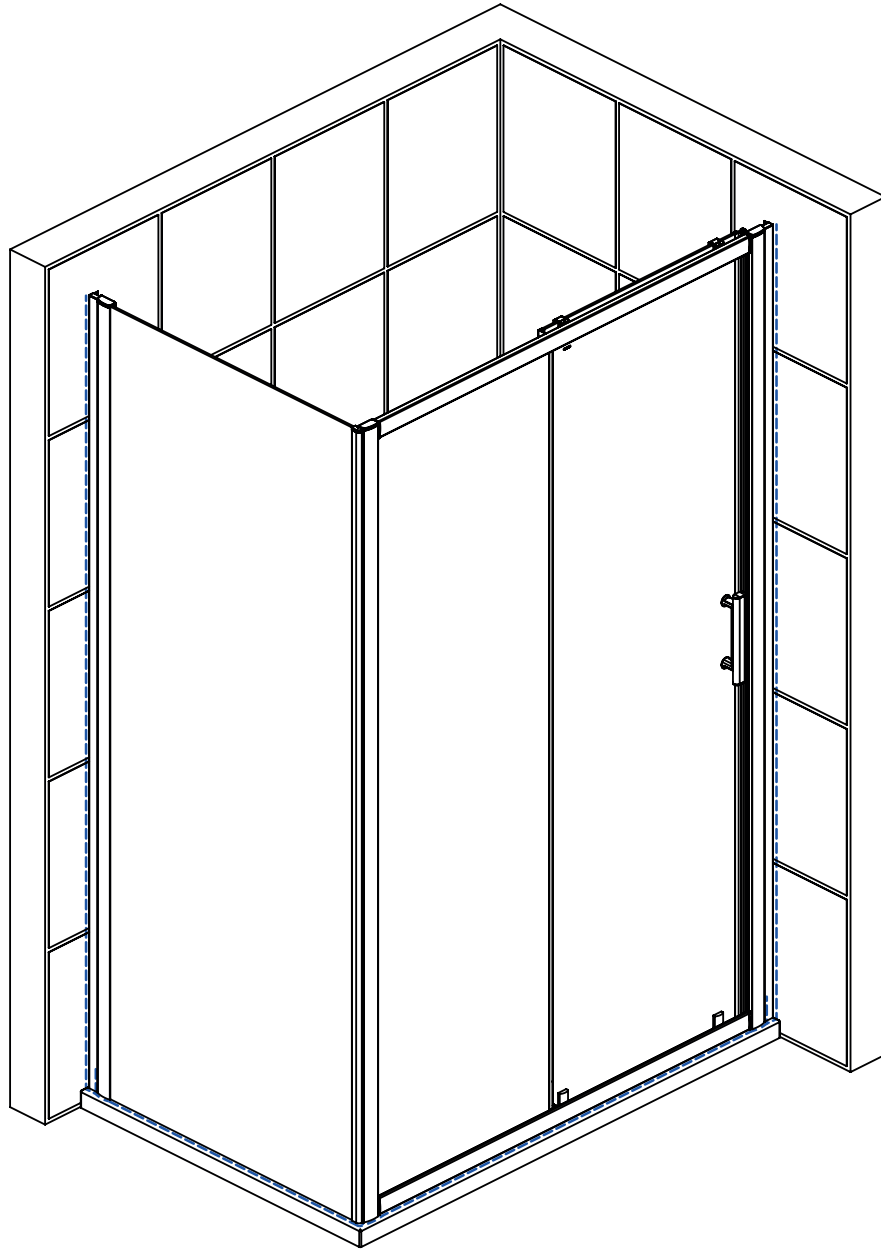
5



NOW FIT THE ENCLOSURE'S CAPS (SHOWN LEFT), THE CORNER PROFILE AND SIDE PANEL CAPS (SHOWN RIGHT).

CHOOSE APPROPRIATE CAPS FOR THE SIDE YOU HAVE FITTED THE SIDE PANEL TOO.





EXTERNALLY SILICONE SEAL THE WALL PROFILES WHERE THEY MEET THE WALL AND THE ALONG THE BOTTOM PROFILE AND GLASS SIDE PANEL WHERE IT MEETS THE TRAY. ALL IN A CONTINUOUS BEAD.

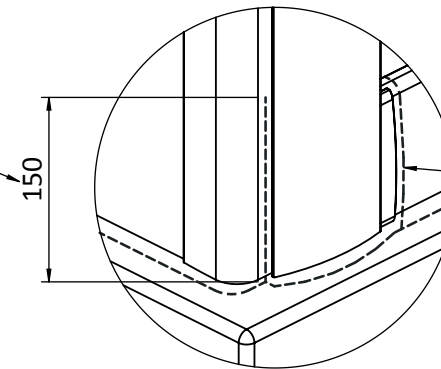
ALSO SILICONE SEAL THE PLASTIC MOULDINGS AND 150mm HIGH AS SHOWN IN DETAILED VIEWS BELOW.

ALLOW THE SILICONE ATLEAST 24 HOURS TO FULLY CURE.

AFTERCARE: ENSURE YOU CLEAN YOUR PRODUCT USING A MILD DETERGENT DILUTED IN WATER, REMOVING ANY RESIDUE WITH A SOFT DAMP CLOTH.

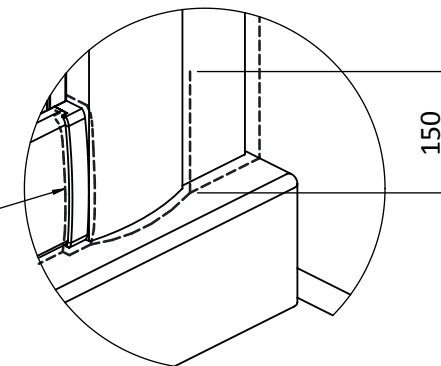
MAINTENANCE: ENSURE MOVING PARTS ARE FREE FROM ANY DEBRIS OR SOAP BUILD UP.

WHERE THE FRAME VERTICAL PROFILE MEETS THE CORNER PROFILE.



SILICONE THE PLASTIC MOULDING WITH AS SMALL A BEAD AS POSSIBLE.

SILICONE THE PLASTIC MOULDING WITH AS SMALL A BEAD AS POSSIBLE.



WHERE THE FRAME VERTICAL PROFILE MEETS THE WALL PROFILE.