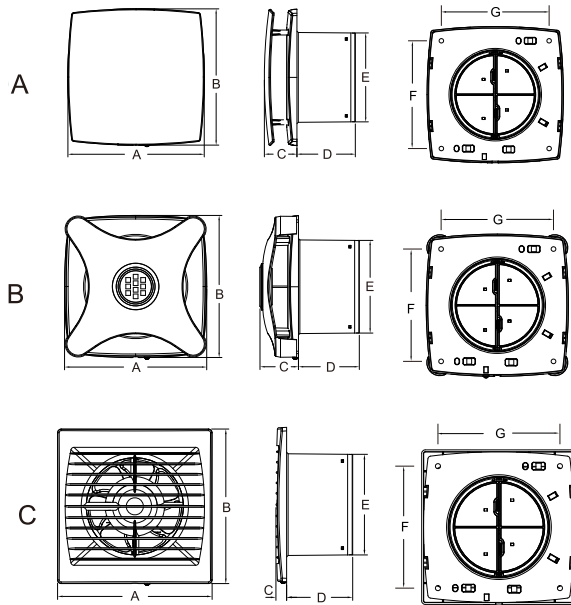


## Wall Mounted Exhaust Fan

### INSTRUCTION



## Product Size



| Model | A   | B   | C  | D  | E   | F   | G   |
|-------|-----|-----|----|----|-----|-----|-----|
| A     | 152 | 152 | 36 | 65 | ∅99 | 120 | 120 |
| B     | 152 | 152 | 41 | 65 | ∅99 | 120 | 120 |
| C     | 152 | 152 | 11 | 65 | ∅99 | 120 | 120 |

1

## Specification parameter

| Model | Voltage/<br>Frequency<br>(V/Hz) | Power<br>(W) | Air flow<br>(m <sup>3</sup> /h) | N.W<br>(kg) | Noise<br>(dB) | Hole<br>diameter<br>(mm) | Area<br>(m <sup>2</sup> ) |
|-------|---------------------------------|--------------|---------------------------------|-------------|---------------|--------------------------|---------------------------|
| A     | 220/50                          | 12           | 72                              | 0.5         | 30            | 105                      | 3-5                       |
| B     | 220/50                          | 15           | 85                              | 0.5         | 30            | 105                      | 3-5                       |
| C     | 220/50                          | 12           | 91                              | 0.4         | 31            | 105                      | 3-5                       |

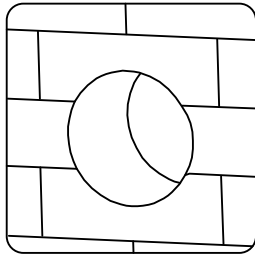


Attention

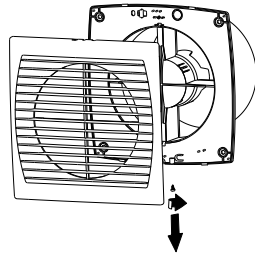
Please be kindly noted that the above reference data is provided by the company's technology department, if any change of products will not specify additionally.

## Installation Instruction

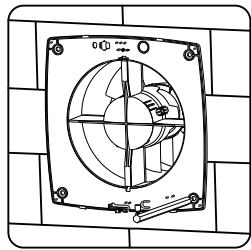
### ●Wall Mounted



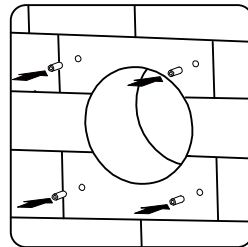
1. Make a mounting hole on the wall  
(See chart) ;



2. Loosen panel screws and open it;



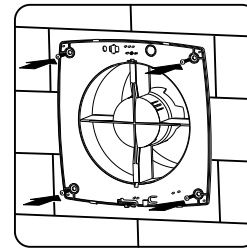
3. Put the base into the mounting hole and  
mark a screw sign on the wall;



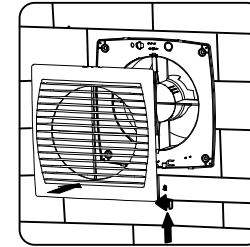
4. Drill a hole at each mark place and put  
plastic rubber plug into the hole;

3

## Installation Instruction



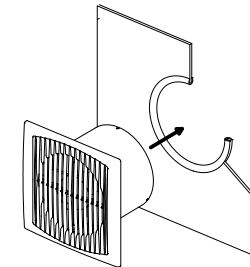
5. Put the base into the hole and  
install screws;



6. Close the panel and connect power.

### ●Glass Window Mounted

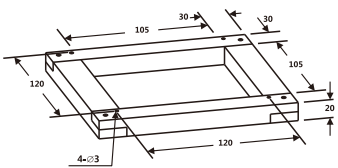
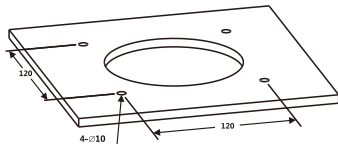
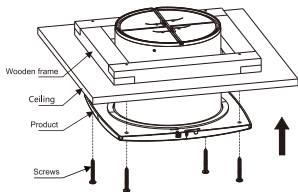
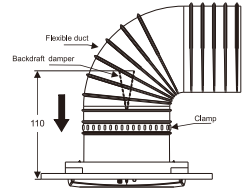
1. Open a mounting hole on the glass (  $\phi$  105mm ) ;
2. Take the circle aprons from the fan carton and  
mount it on the edge of the glass hole;
3. Install the exhaust fan to the hole and keep it  
identical with circular aprons;
4. Glue the silicone sealant around the fan and  
aprons to fix them better.



4

# Installation Instruction

## • Ceiling Mounted

|   |   |
|---|---|
| <p><b>Wooden frame</b></p>  <p>1. Make a wooden frame size of 20*30mm (see the chart above);</p>                 | <p><b>Ceiling</b></p>  <p>2. Make a hole on the ceiling (see the chart above);</p>  |
|  <p>3. Lock the fan into the wooden frame with matching screws and install the whole onto the ceiling keel.</p> |  <p>4. Cover the frame and then fix it with matching screws; connect a flexible air duct to the fan with a clamp. (Please do keep the safe distance (110mm) to the backdraft damper)</p> |


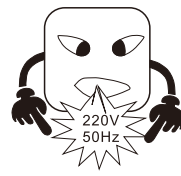

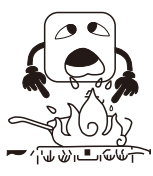

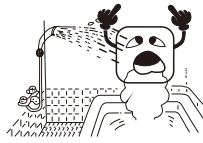

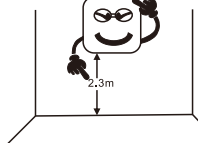

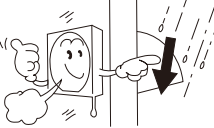




**Attention**

Please make sure the ceiling is strong enough to bear the product's weight before installation. Please make sure the fan and ceiling are both fixed after installation.

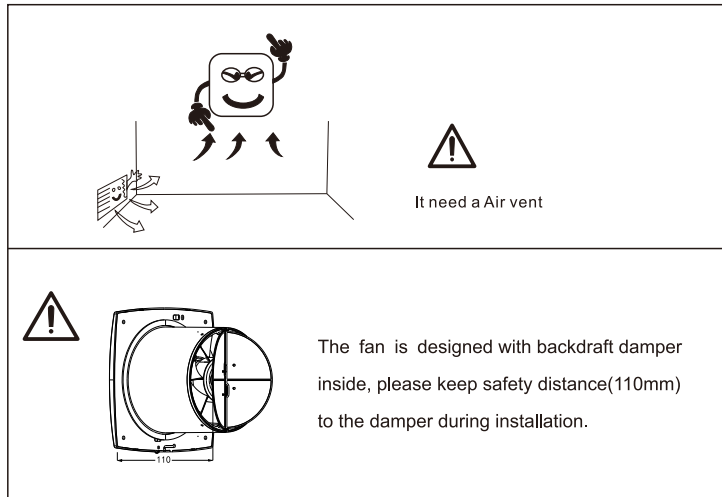
5

# Installation Notes

|   |   |
|---|---|
|   <p>Please use the ventilator according to the rated voltage and frequency have been marked.</p> |   <p>Please don't mount the fan on the high temperature equipment directly.</p> |
|   <p>Please don't mount on where easily sprayed by water.</p>                                     |   <p>It should be mounted on the height more than 2.3m .</p>                    |
|   <p>Please mount the outdoor protective cover (need to buy).</p>                             |   <p>Please don't mount on where have curtains.</p>                         |

6

## Installation Notes



### ! Attention

- 1 ) Please pay attention to avoid the gas from the open air tunnel or other fire equipment back into the room.
- 2 ) This equipment is not suitable for the environment full of dust , powder , cotton , sawdust and other special environment where may produce corrosive or explosive air (such as steam, oil, gas ).
- 3 ) If the product is used for exhausting air of the boiler or other combustion equipment room, it is important to confirm that there is adequate supply of air in the room to ensure the normal combustion.

7

## Maintenance Method

### Maintenance

- Firstly, make sure the power has been cut off. Regular maintenance should be carried out every year.
- Motor and other electrical components can't contact with water.



### ! Attention

- 1) Do not use gasoline, benzene, chemical solvents or other types chemical to scrub fan, in order to avoid discoloration or deterioration.
- 2) Don't dip plastic parts in hot water higher than 60°C.



8

### **Instructions Manual**

Thank you for purchasing our products. It has been manufactured following current technical safety regulations and in compliance with EC standard.

Please read this instruction carefully before installing or starting up the product. It contains important information on personal and user safety measures to be followed while installing, using and carrying out maintenance work on the equipment. Once the product has been installed, please hand in this booklet to the end user.

Check that the apparatus is in perfect condition while unpacking. Any fault or damage caused in origin is covered by the our company guarantee. Please make sure that the apparatus coincides with the product you have ordered and that the details on the instructions plate fulfill your necessities.

#### **Transport and manipulation**

\* The packaging used for this apparatus has been designed to support normal transporting conditions. The apparatus must always be transported in its original packaging otherwise it could deform or damage the product.

\* The product should be stored in a dry place in its original packaging, protected from dust and dirt until it is installed in its final location. Do not accept delivery if the apparatus is not in its original packaging or shows clear signs of having been manipulated in any way.

\* Do not place heavy weights on the packed product and avoid knocking or dropping it.

#### **Important information for the safety of installers and user.**

\* Installation must only be carried out by qualified persons.

\* Make sure the installation complies with each country's current mechanical and electrical norms.

\* Once ready to use, the apparatus must fulfill the following standard:

- Standard for LOW Pressure Installments 2014/35 EU
- Standard for Electromagnetic Compatibility 2014/30 EU

\* Working temperature from -20°C to 60°C, Working humidity less than 80%.

\* Make sure there are no loose elements near the ventilator, as they could run the risk of being sucked up by it.

\* Before manipulating the apparatus, make sure the mains supply is disconnected, even if the machine is switched off.

\* Check that the mains supply voltage and frequency values coincide with the stipulations on the characteristics plate.

\* The electrical installation must include a double pole switch with a contact clearance of at least 3 mm, correctly sized and in accordance with the electrical standards of the country of installation.

\* If ground lead is necessary, check that it correctly connected and that adequate thermal and overloading protection has been connected and adjusted to the corresponding limits.

\* If a ventilator is installed in a duct, the duct must be exclusively for the ventilation system.

### **Starting up.**

\* Before starting up the machine, make sure that:

\* The apparatus is well secured and the electrical connections has been carried out correctly.

\* The safety devices have been adequately connected.

\* No loose material or fitting remains can be sucked up by the ventilator, If the ventilator has been mounted in a duct, make sure it is clear of loose material.

\* The earth fittings are adequately connected.

\* The electrical safety devices are correctly connected, adjusted and ready for use.

\* The wire and electrical connections inputs are correctly sealed and water-tight.

When starting up the machine, make sure that:

\* The propeller turns in the correct direction.

\* There are no abnormal vibrations.

\* If any of the electrical safety devices blow, the apparatus must be quickly disconnected from the mains supply. The whole installation should be carefully checked before trying to start up the machine again.

### **Maintenance.**

\* Before manipulating the ventilator, make sure it is disconnected from the mains supply even if it has previously been switched off. Prevent the possibility of anyone else connecting it while it is being manipulated.

\* The apparatus must be regularly inspected. These inspections should be carried out bearing in mind the machine's working conditions, in order to avoid dirt or dust accumulating on the propeller, turbine, motor or grids. This could be dangerous and perceptibly shorten the working life of the ventilator unit.

\* To avoid danger, damaged power cord must be replaced by professional staff from the manufacturer's maintenance department or other similar departments.

\* All maintenance and repair work should be carried out in strict compliance with each country's current safety regulations.

### **Recycling.**

According EEC Standards, together with the responsibility we should assume with future generations in mind, oblige us to recycle all the materials we can.

Therefore, please deposit all left-over material and packaging in their corresponding recycling containers and hand in the replaced machines to the nearest handler of this type of waste product.

If you have any queries about the products, please contact our aftersales service or your local dealer.