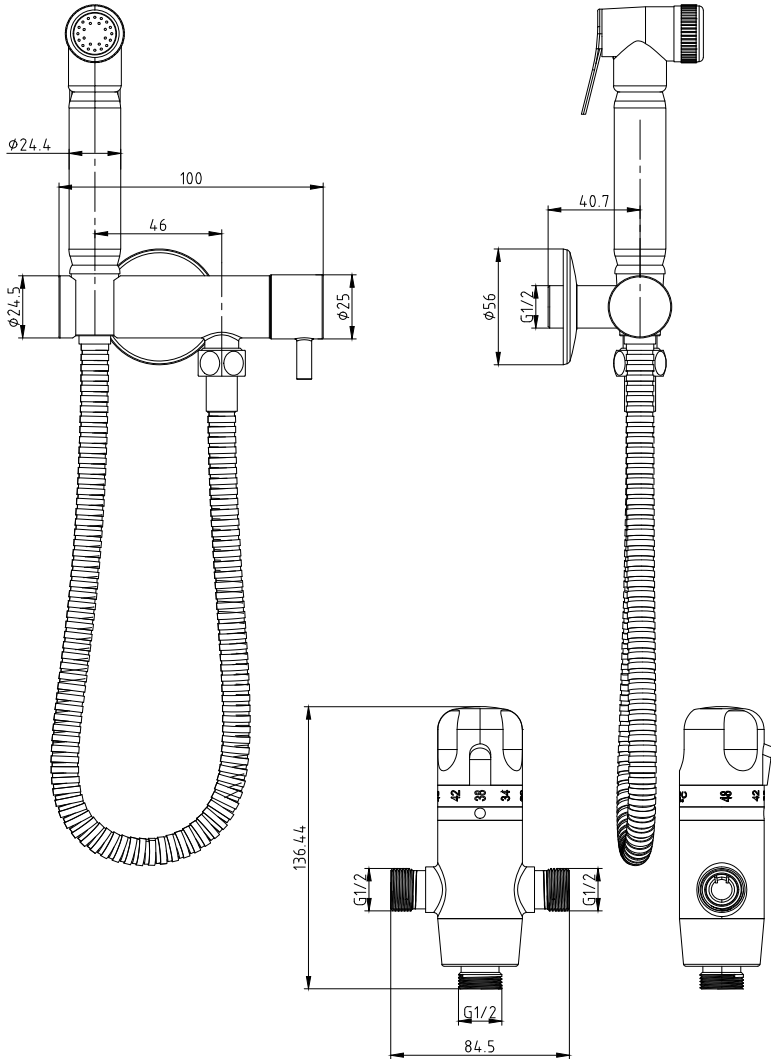




Thermostatic Douche Shower Spray Kit with Shut Off Valve + Hose

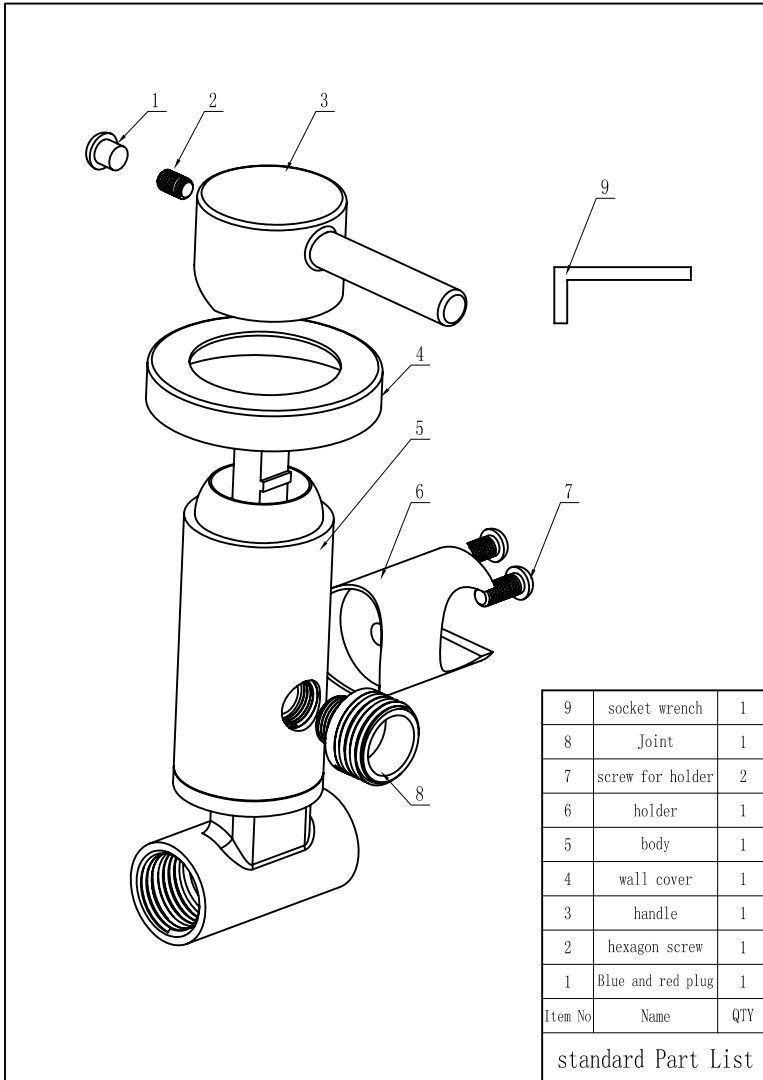


Fitting Instructions

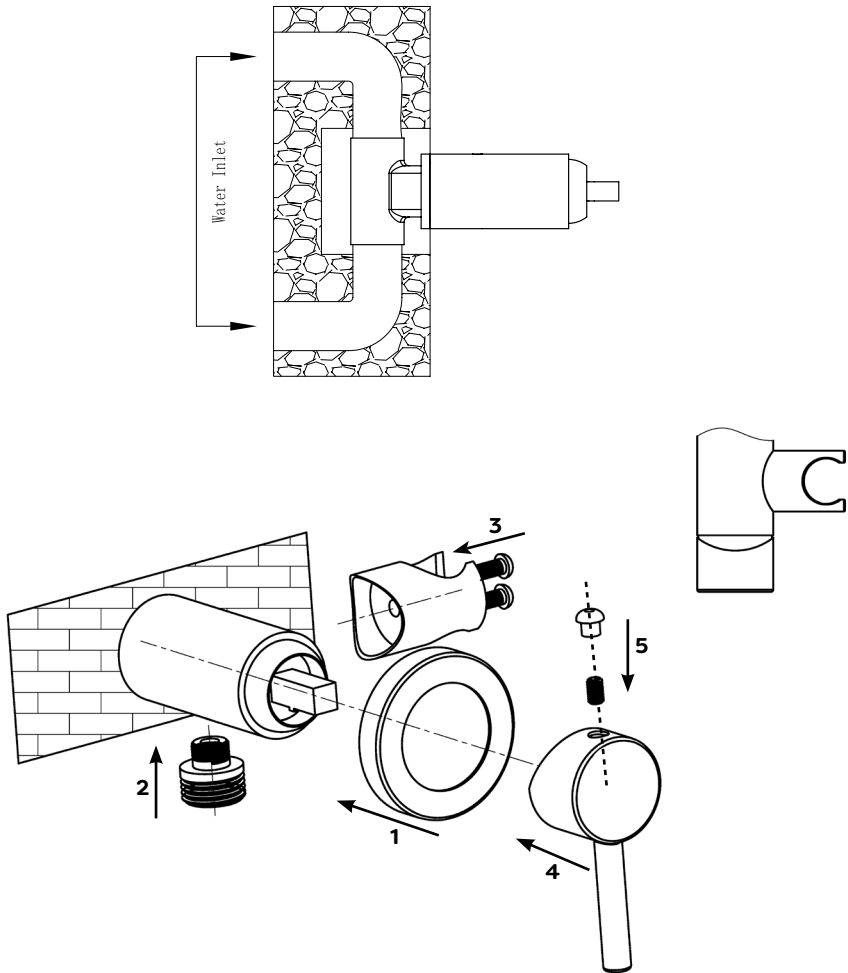
Please follow them carefully and
leave this manual with end user

Before you begin:

1. **We recommend that this product is installed by a qualified tradesperson** and we accept no liability for products fitted incorrectly, and where the correct testing procedures have not been used, resulting in the escape of water.
2. Observe all local plumbing and building codes.
3. Unpack the product then read these instructions before proceeding. Inspect the product for damage. If any damage is found, contact our Customer Relations team.



Installation Guide



Installation:

1. Put the cover through the body;
2. Connect the Joint to the body screw;
3. Put the holder close to the body and fasten two screws;
4. Put the handle on the cartridge;
5. Fix the hexagon screw with socket wrench then put the blue and red plug in.

Instructions Cont:

1. The Thermostatic mixing valve can be positioned discreetly for easy access. Once the temperature has been set then it is rarely necessary for any further adjustment. The factory set temperature is 38°C
2. The mixed outlet pipe from the Thermostatic mixing valve to the angle valve should be firmly fixed for rigidity when in use. A wall bracket with built in angle valve can be mounted on a panel and secured with a back-nut or fitting depending on panel depth. It is recommended that the panel is not relied upon for rigidity.

Maintenance:

If the water flow is less than normal and temperature control is imprecise after a period of usage. It is often due to the poor water which blocks the small filter net. The cleaning method At first, turn off the main valve. Unscrew securing nut with an Allen key. Making sure not to damage the O-rings. Clean/replace check valve and filters and refit. Dirt in the water will slow down or stop the flow of water

Operation Notice:

1. The work condition for use of this product is cold water 4-29°C, hot water 55-85°C and water pressure 0.5 bar - 5 bar. To avoid the differential pressure between hot water and cold water, the thermostatic cartridge is preferably under the condition of water pressure 3 bar, hot water 65°C and cold water 15°C .
2. Make sure the shower valve is off when no water comes out of it (especially when nobody resides in the house or during the period of decoration or the absence of water).
3. When the room temperature drops below 0°C , take necessary measures (such measure as keeping shower valve warm and closing windows) to prevent the shower valve from being frozen or even broken (especially when windows kept open for air ventilation while nobody resides in).
4. Do not disassemble the valve unless you are an expert.

Aftercare:

Always clean the surface of shower valve to keep it bright. **Attention:** please do not use inappropriate tools such as sharp brushes, rough sponges, scouring pads or corrosive detergent to clean the shower valve. Please clean the shower valve by wet cloth and soapy water after each time of usage. Then rinse the soap out with clean water and dry with a soft cotton cloth.

Note: Ensure Angle valve is turned to the off position after use.