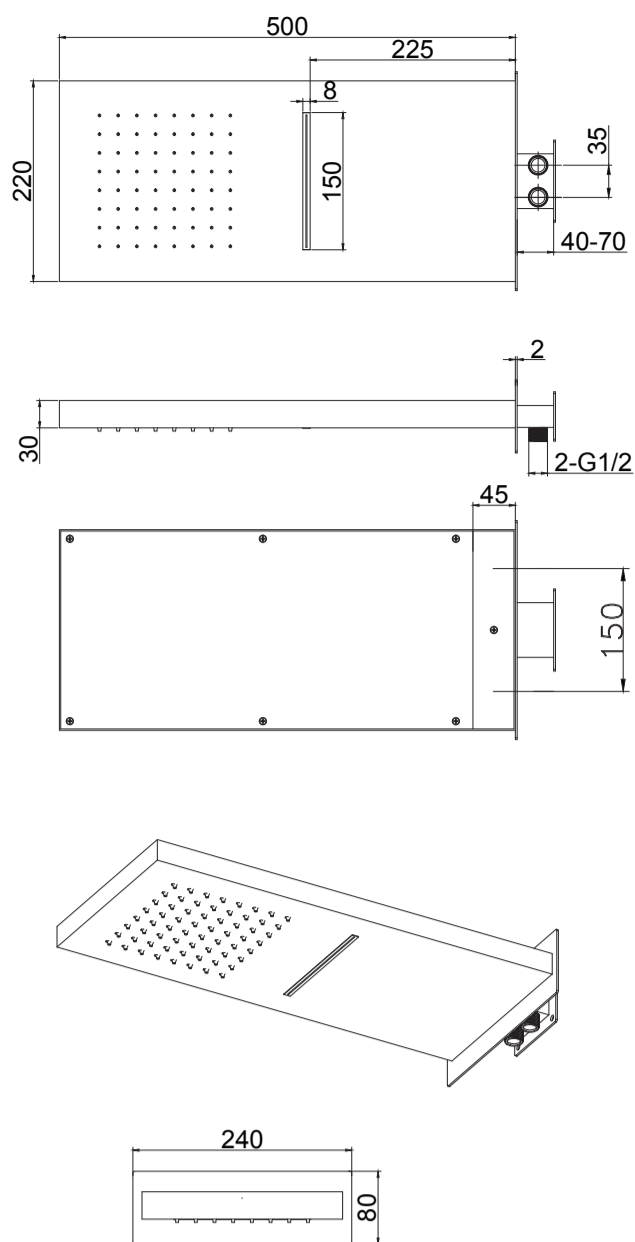


Diagram



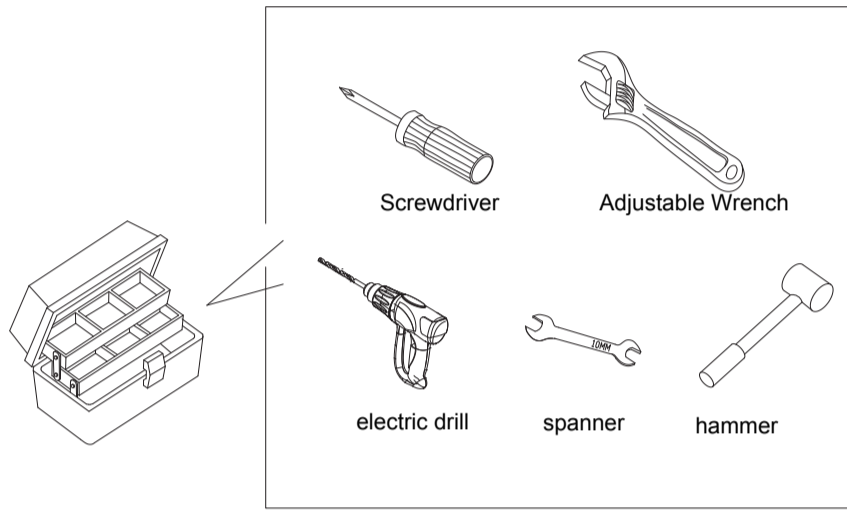
Rectangular Shower Head With Water Blade



Installation Instructions

Please follow them carefully and leave this manual with end user

TOOLS YOU MIGHT NEED

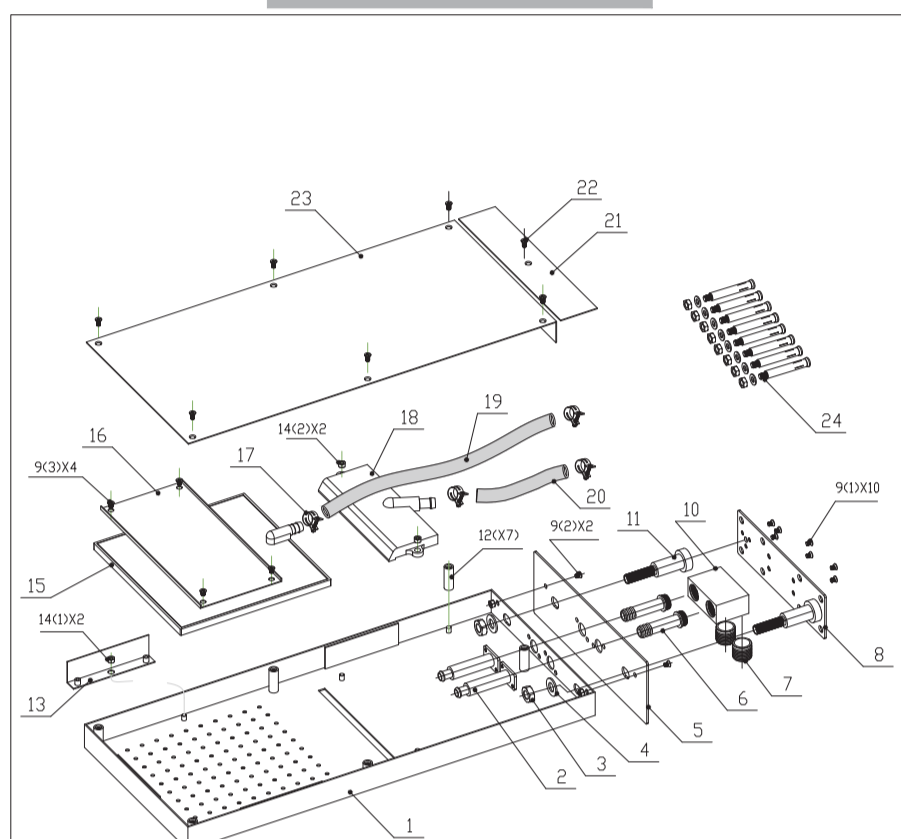


TECHNICAL DATA

Recommended water pressure: 0.5 - 3 bar
 Max. Water pressure: 8 bar
 Recommended hot water temp: 37 - 57 °C
 Max. Hot water temp: 73 °C

Please know and follow all applicable local plumbing codes when setting the temperature on the water heater.

PARTS LIST



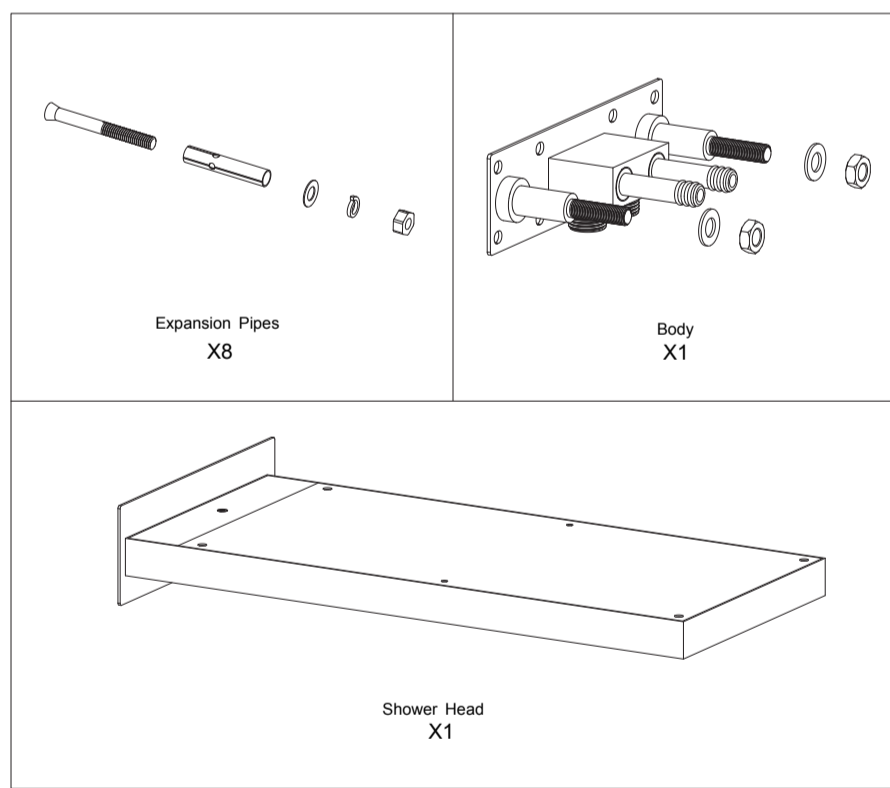
24	M6 Expansion screw	18	Waterfall	12	Locating collar	6	Connected tube
23	Back cover	17	Clip	11	M10 screw	5	Decorated plate
22	M4 Crew	16	Fixing plate	10	Fixing support	4	gasket
21	Decorated cover	15	head shower	9	M4 Screw	3	M10 Hexagonal nut
20	Water hose 140mm	14	M5 Hexagonal nut	8	Fixing plate	2	pipe fixing support
19	Water hose 350mm	13	Fixing plate	7	Screw tube G1/2"	1	body
NO.	Name	NO.	Name	NO.	Name	NO.	Name

BEFORE INSTALLATION

- ▶ Observe all local plumbing codes
- ▶ Make sure water supply is shut off
- ▶ Read these instructions carefully to ensure proper installation
- ▶ Check to make sure you have the following parts indicated below

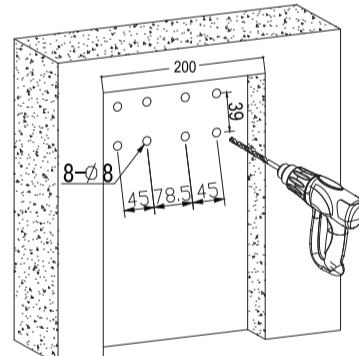


Please check you have all of these items in the box.

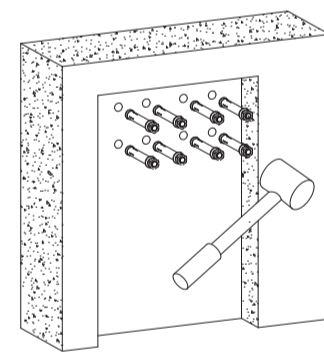


INSTALLATION PROCEDURE

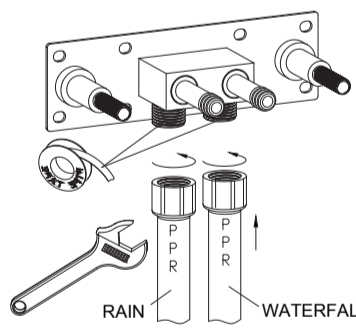
- 1** Before any holes are marked out the body needs to go a minimum of 45mm into the wall in order to conceal the body, this head is best suited to a stud wall as you need a minimum of 45mm space to fit the body



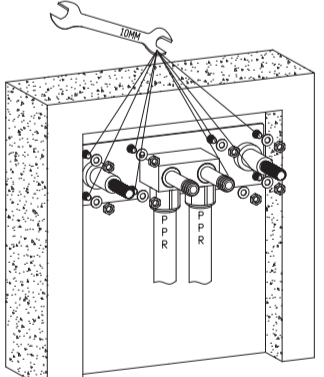
- 2** after hole finished install expansion pipes to fixing on the wall.



- 3** once the body has been measured to sit into the wall, then use the seal gasket to seal the body inlet screws to connect two water pipes from home faucet

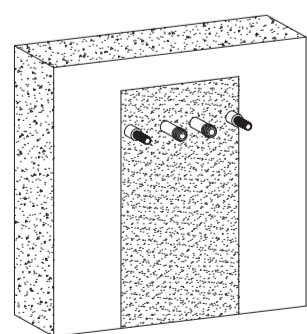


- 4** after water pipes connect, fixing the body into the wall by expansion screws.

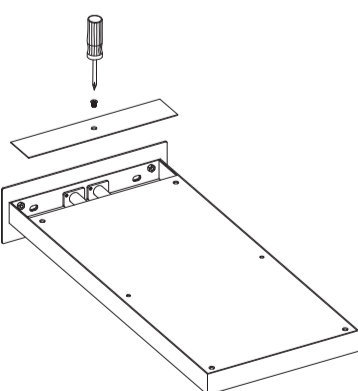


INSTALLATION PROCEDURE

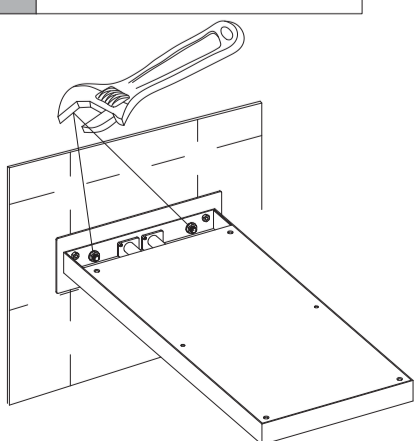
- 5** to make the wall smoothly after fixing body, but be sure the body outlet must outside of the wall.



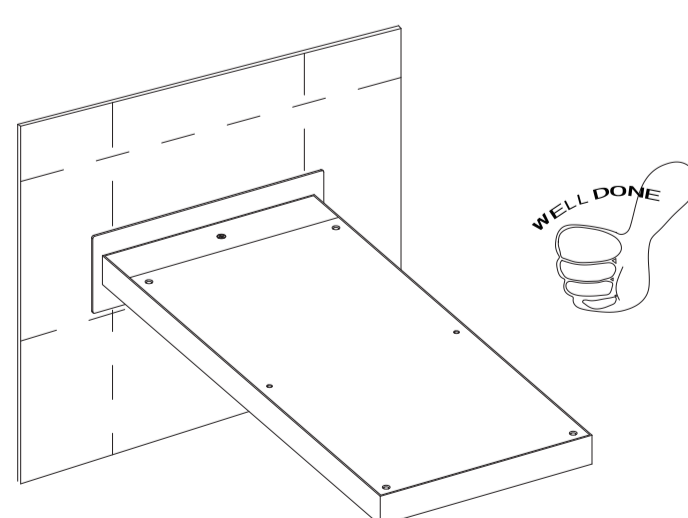
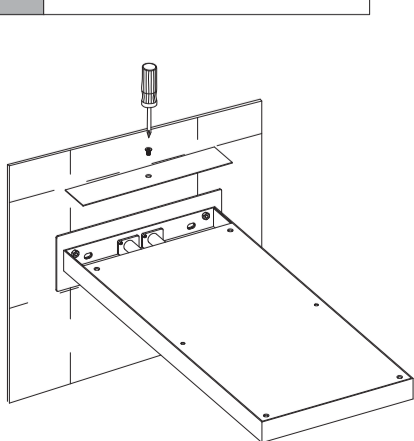
- 6** open the shower head top cover, install the shower head into the wall first.



- 7** connect the shower head into the wall by expansion pipes



- 8** install back the shower head top cover



AFTER INSTALLATION

Ensure that all connections are tight. Ensure that the handle is in the opposition. Turn on the drain and main water supply, and check for leaks. Repair as needed.