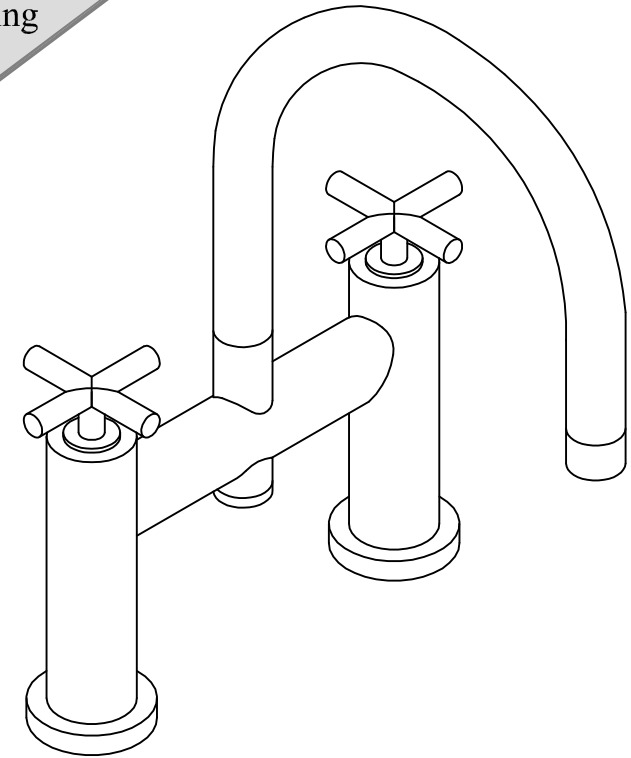


General fitting guide for Bath Fillers & Bath/Shower Mixers

Filler/mixer body and
handles shown will
vary depending
on model.



Helpline

01282 446789

Consult a qualified plumber if you
have any problems installing this product.

Consult a qualified plumber if you
have any problems installing this product.

The Company reserves the right to continually evolve its product line without notification. The Company will not accept any liability regarding specification changes and their consequences unless previously quoted by the Company in writing.



Brassware Helpline:- 01282 446789

INTRODUCTION

The model supplied may vary from the image shown. For example, your chosen product may have lever handles or screw down valves, or may, in the case of a bath shower mixer, incorporate a cradle to support the handset. Other models have remote brackets to support the handset. Please note that the general installation process for all Bath Fillers & Bath/Shower mixers is the same, and the following guide will take you through the process.

MANUFACTURING STANDARDS

Fittings are designed and produced to conform to BS5412, EN200 and/or WRc/NSF requirements.

AFTERCARE

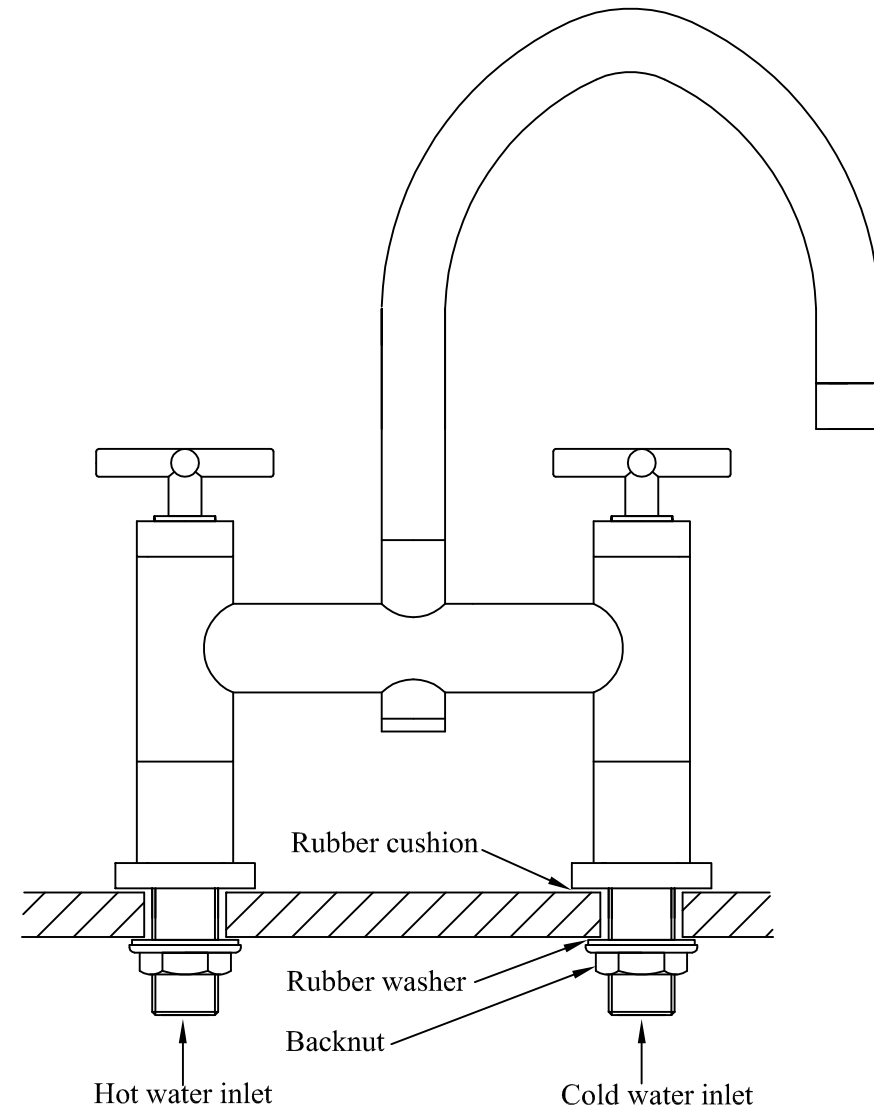
During installation, extra care must be taken to avoid damaging the fitting or its finish. To maintain the appearance of the fitting, please ensure it is cleaned regularly using a clean soft damp cloth only. Abrasive cleaners or detergents must not be used as they may cause surface deterioration.

FITTING PROCEDURE

Prior to installation please ensure all supply pipes have been thoroughly flushed through to remove any debris. The presence of any foreign matter will have a serious effect on ceramic disc valves.

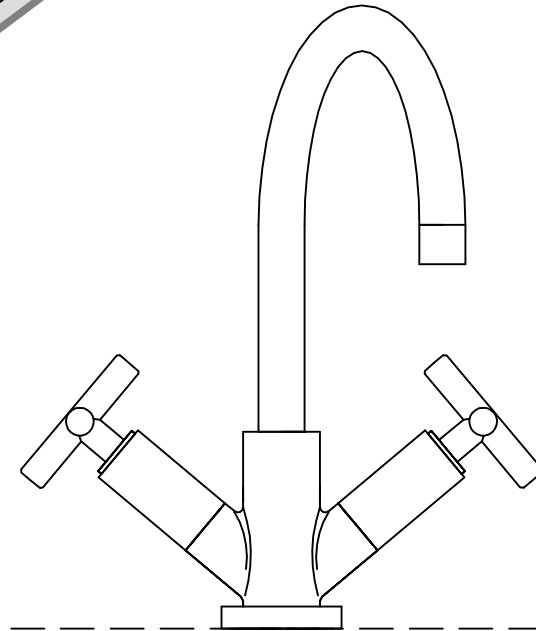
Isolating valves must be fitted in a convenient position to allow future servicing of the fitting.

1. Turn off the water supply.
2. Remove old fittings.
3. Carefully assemble new fitting on to the bath, ensuring rubber washers or cushions are in place at the base of the fitting.
4. Tighten the backnuts, ensuring equal torque is applied to both nuts.
5. Earth any new pipework adequately. Seek the advice of a qualified electrician if in any doubt.
6. Connect water supply pipes to the inlet tails of the fitting. Note the hot water supply must connect to the left hand inlet when viewing from the front.
7. Turn the valves to the open position.
8. Open the isolating valves (not supplied).
9. Turn on water supply and allow to run for a few minutes to flush out any debris.
10. Carefully check for leaks.



General fitting guide for Mono basin & bidet mixers

Monobloc body and
handles shown will
vary depending
on model.



Helpline

01282 446789

**Consult a qualified plumber if you
have any problems installing this product.**

**Consult a qualified plumber if you
have any problems installing this product.**

The Company reserves the right to continually evolve its product line without notification. The Company will not accept any liability regarding specification changes and their consequences unless previously quoted by the Company in writing.



Brassware Helpline:- 01282 446789

INTRODUCTION

The model supplied may vary from the image shown. For example, your chosen product may have a single lever handle to control the operation rather than the separate controls we have shown here, or flexible supply pipes may have been supplied instead of the rigid inlet pipes shown in the diagram. Please note that the general installation process for all Mono basin / bidet fittings is the same, and the following guide will take you through the process.

MANUFACTURING STANDARDS

Fittings are designed and produced to conform to BS5412, EN200 and/or WRc/NSF requirements.

AFTERCARE

During installation, extra care must be taken to avoid damaging the fitting or its finish. To maintain the appearance of the fitting, please ensure it is cleaned regularly using a clean soft damp cloth only. Abrasive cleaners or detergents must not be used as they may cause surface deterioration.

FITTING PROCEDURE

Note: Certain fitting parts may vary from illustration

1. Insert threaded bar into base of fitting.
2. Place fitting through hole in basin.
3. Apply rubber washer to underside of basin.
4. Apply metal clamp to underside of basin.
5. Screw the fixing nut on to threaded bar and tighten.
6. Install waste into basin using the tapered washer or suitable sealant.
7. Apply sealing washer to underside of basin.
8. Tighten lower part of waste body until seal is made ensuring that the pop-up rod inlet faces to the rear of the basin.
9. Insert long pop-up rod through hole in fitting.
10. Attach short pop-up rod into waste body.
11. Fix pop-up rods together using the hinge provided ensuring correct operation of the pop-up.
12. Carefully install the inlet pipes (style may vary) into the fitting. It is not necessary to overtighten these pipes.
13. Earth any new pipes adequately. Seek expert advice if in doubt.
14. Connect water supply pipes to inlet pipes, ensuring isolating valves (not supplied) are in position.
15. Ensure tap valves are in open position.
16. Open isolating valves.
17. Turn on water supply and allow to run for a few minutes to flush out any debris.
18. Check for leaks.

